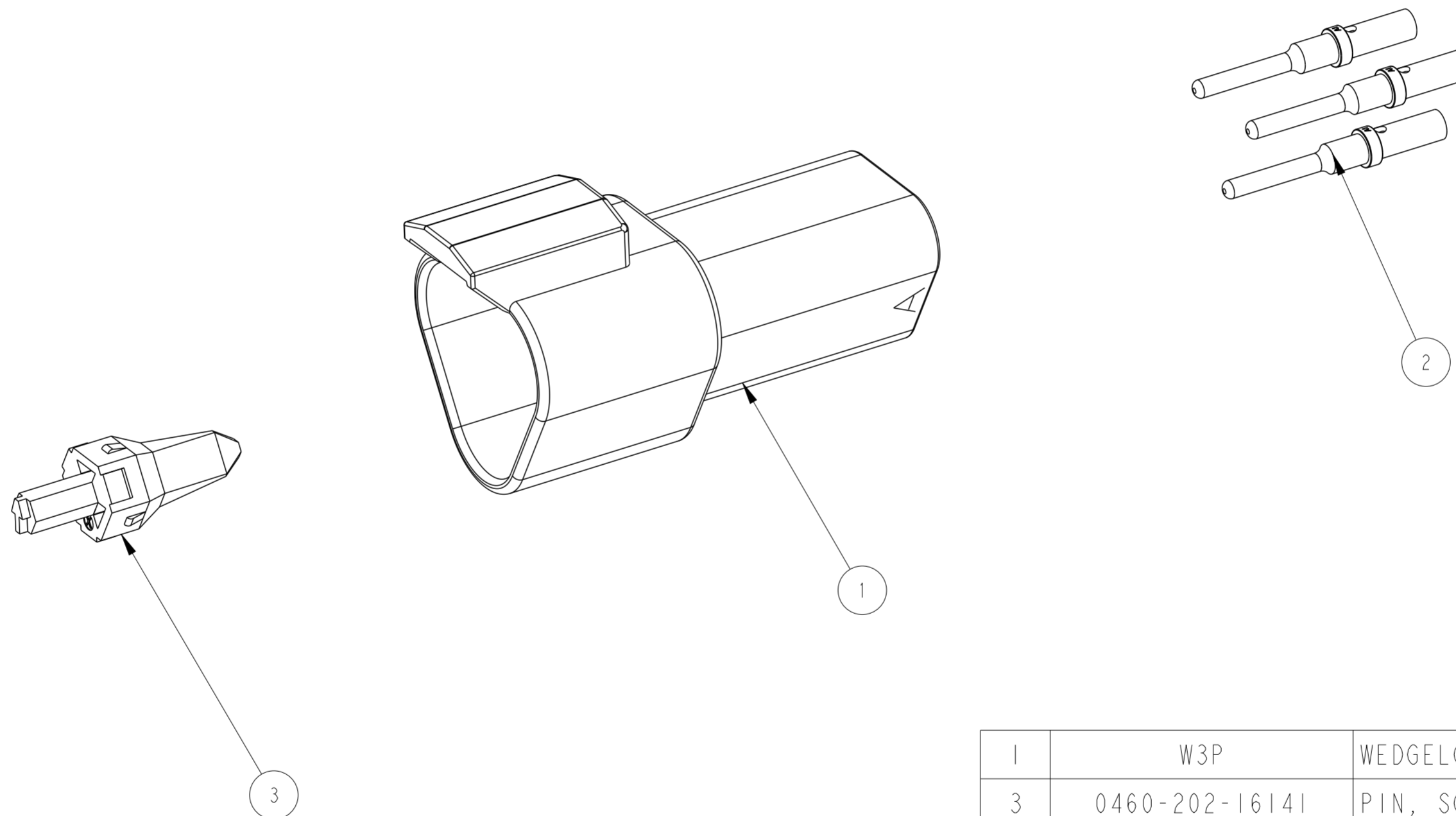


| P | LTR | DESCRIPTION | DATE | DWN | APVD |
|---|-----|-----------------|-----------|-----|------|
| | A | INITIAL RELEASE | 12FEB2020 | AP | IG |
| | | | | | |
| | | | | | |



| QTY | PART NUMBER | DESCRIPTION | ITEM NO |
|--|----------------|--|---------|
| 1 | W3P | WEDGELOCK | 3 |
| 3 | 0460-202-16141 | PIN, SOLID, SIZE 16, 16-20 AWG, NICKEL | 2 |
| 1 | DT04-3P | DT 3P RECEPTACLE ASSEMBLY | 1 |
| PARTS LIST | | | |
| - < REVISION OF EACH ASSY NO. (WHEN BLANK, USE DRAWING REVISION) | | | |

3. APPLICATION SPECIFICATION: CONNECTOR: 114-151009
TERMINAL: 114-151004

2. PRODUCT SPECIFICATION: CONNECTOR: 108-151009
TERMINAL: 108-151004

1. WEDGELOCK, TERMINALS AND RECEPTACLE ASSEMBLY ARE SHIPPED UNASSEMBLED IN THE SAME BAG.

NOTES:

| | | | | |
|---|--|----------------------------------|--|----------------------------------|
| THIS DRAWING IS A CONTROLLED DOCUMENT. | | DWN A POLO 12FEB2020 | STE TE Connectivity | |
| DIMENSIONS: INCH/SE | | CHK I GRANICHAROVA 12FEB2020 | | |
| TOLERANCES UNLESS OTHERWISE SPECIFIED: | | APVD I GRANICHAROVA 12FEB2020 | NAME DT04-3P COMPLETE KIT W/ WEDGELOCK AND TERMINALS | |
| 0 PLC ± 1 PLC ± 2 PLC ± 3 PLC ±.025 4 PLC ± ANGLES ± | | PRODUCT SPEC 2 | SIZE A2 | |
| MATERIAL | | APPLICATION SPEC 3 | CAGE CODE 00779 | DRAWING NO G-DT04-3P-COMPLETE |
| FINISH | | WEIGHT 8.64 | RESTRICTED TO - | SCALE 5:2 |
| | | CUSTOMER DRAWING | SHEET 1 OF 1 | REV A |