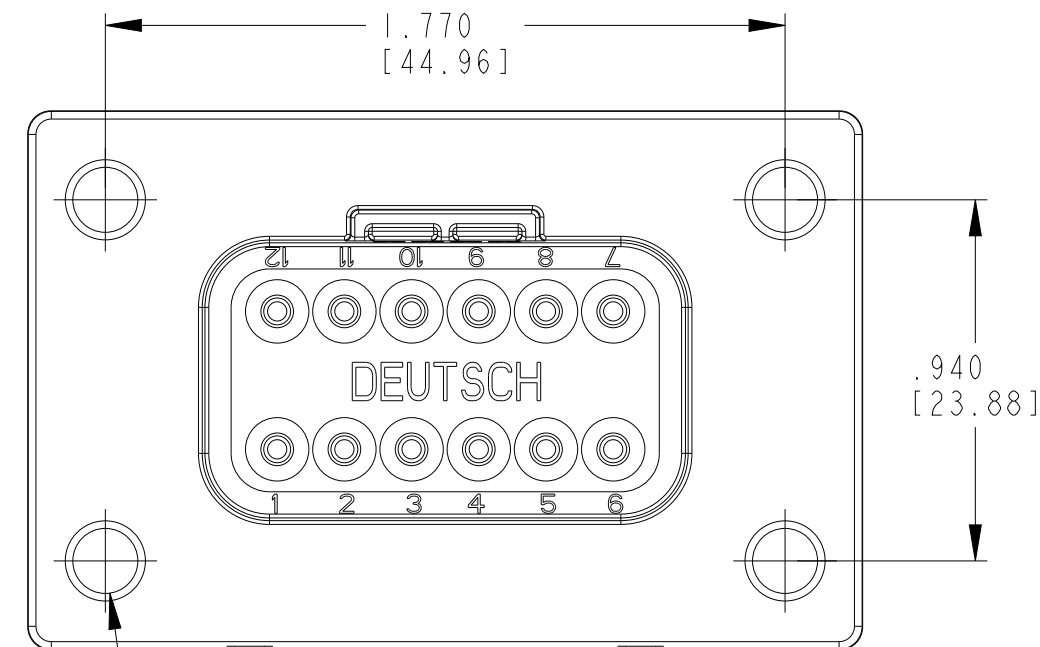
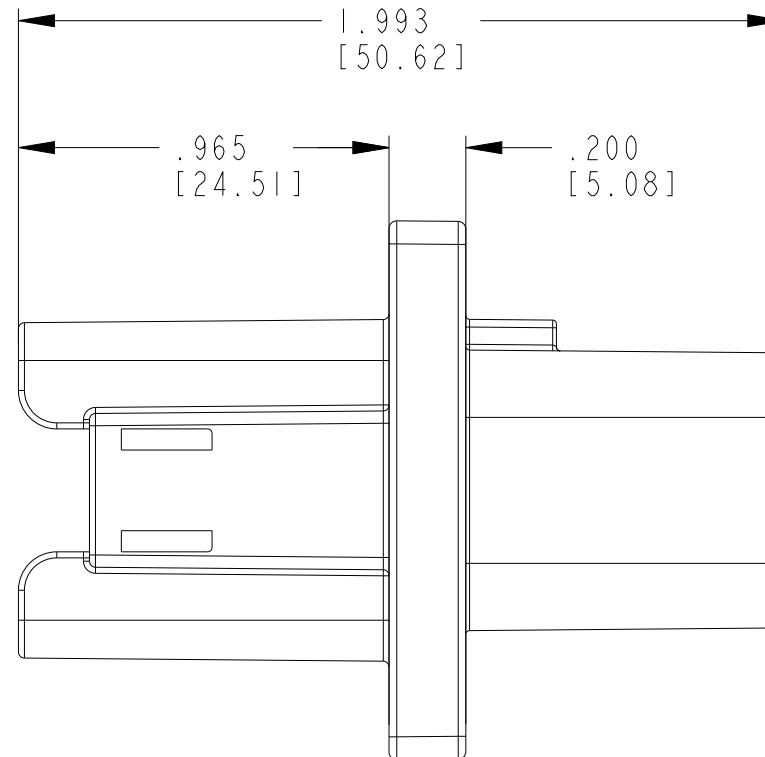
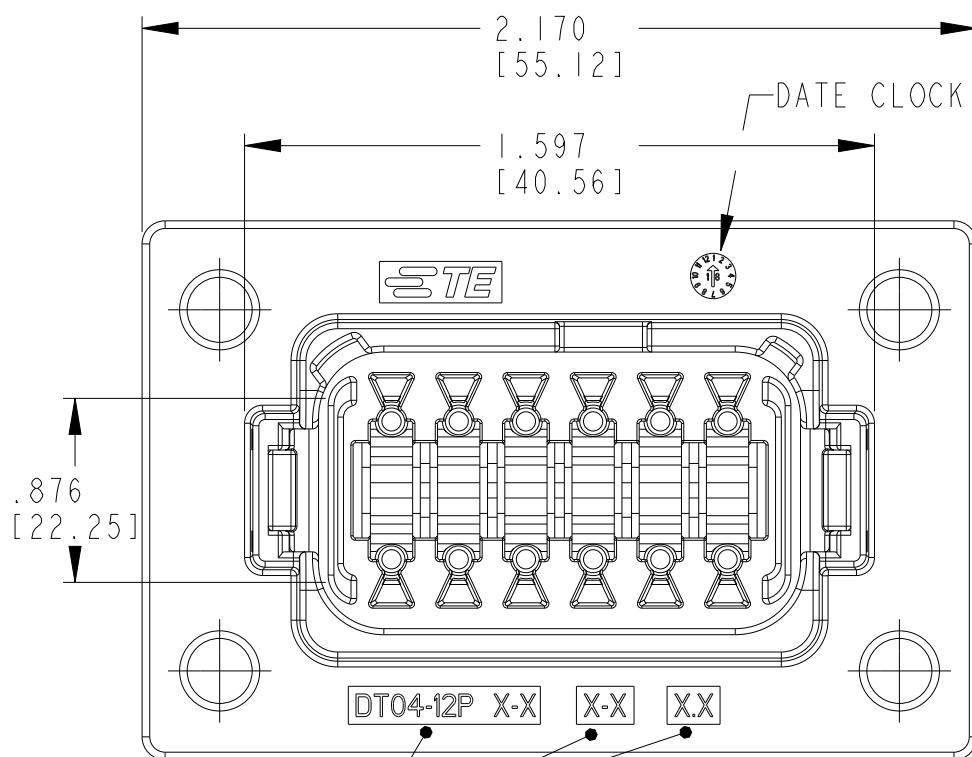


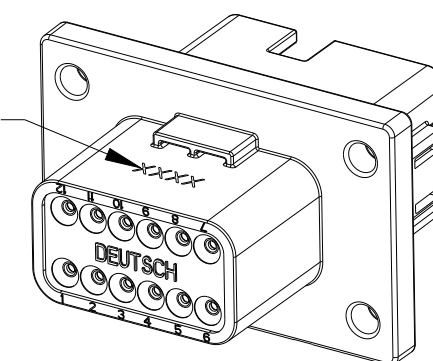
P	LTR	DESCRIPTION	DATE	DWN	APVD
A		REVISED PER E.O. P20438	18MAY2010	-	RDR
C		REVISED PER E-20-009825	29JUN2020	PMV	IG
C1		REVISED PER PCN-22-157426	03NOV2022	MR	IG
C2		REVISED PER PCN-23-185791	11AUG2023	MR	IG



TRACEABILITY CODING

RECEPTACLE HOUSING

PART NUM. MODIFICATION



3-DIMENSIONAL VIEW

CONTACT SIZE	MIN. INSUL. O.D.	MAX. INSUL. O.D.	WIRE RANGE [mm <sup>2</sup> ]
16	.088 [2.24]	.145 [3.68]	14-20 AWG [2.0-0.5]

7. SECONDARY WEDGE LOCK SOLD SEPARATELY: W12P-XXXX. (XXXX = ALL MODIFICATIONS)

6. RECOMMENDED SCREW: 6-32 [M4]. RECOMMENDED TORQUE: 20-25 IN-LB [2.26-2.82 Nm].

5. MATERIAL - HOUSING: PA66 GF15 GROMMET: VMQ (ORANGE RED)

4. THIS RECEPTACLE MATES WITH DT06-12SX-XXXX PLUG. (X = KEY ARR. A,B,C,D; XXXX = ALL MODIFICATIONS) CONSULT FACTORY FOR MODIFICATIONS.

3. FOR CONTACT AND WIRE PERFORMANCE AND APPLICATION CHARACTERISTICS, SEE ENVELOPE DRAWING 0425-015-0000.

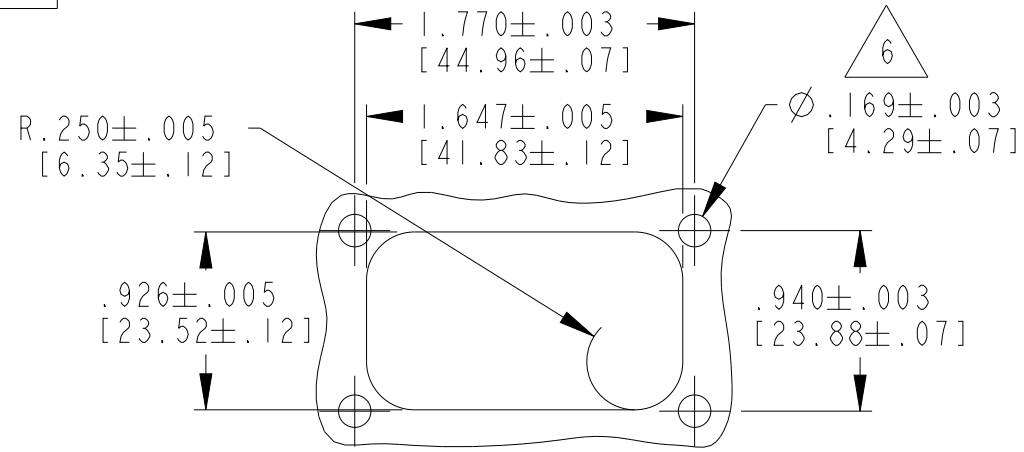
2. DELETED

1. DELETED

NOTES:

THIS DRAWING IS A CONTROLLED DOCUMENT.		DWN 01JUN2009 R. MESSENGER	TE Connectivity	
DIMENSIONS: INCHES [mm]		CHK 14MAY2010 R. MCCORD		
TOLERANCES UNLESS OTHERWISE SPECIFIED:		APVD 04MAY2010 S. BEARD	NAME 12 WAY RECEPTACLE WITH ENHANCED KEY AND FLANGE DT SERIES	
0 PLC ±- 1 PLC ±- 2 PLC ±- 3 PLC ±.025 [0.64] 4 PLC ±- ANGLES ±0° 30' 0"		PRODUCT SPEC 108-151009	SIZE A3	
MATERIAL		APPLICATION SPEC 114-151009	CAGE CODE 00779	DRAWING NO G-DT04-12PX-BL04
FINISH		WEIGHT -	RESTRICTED TO -	
5		CUSTOMER DRAWING	SCALE 2:1	SHEET 1 OF 2
			REV C2	

P	LTR	DESCRIPTION	DATE	DWN	APVD
-	-	SEE SHEET 1	-	-	-



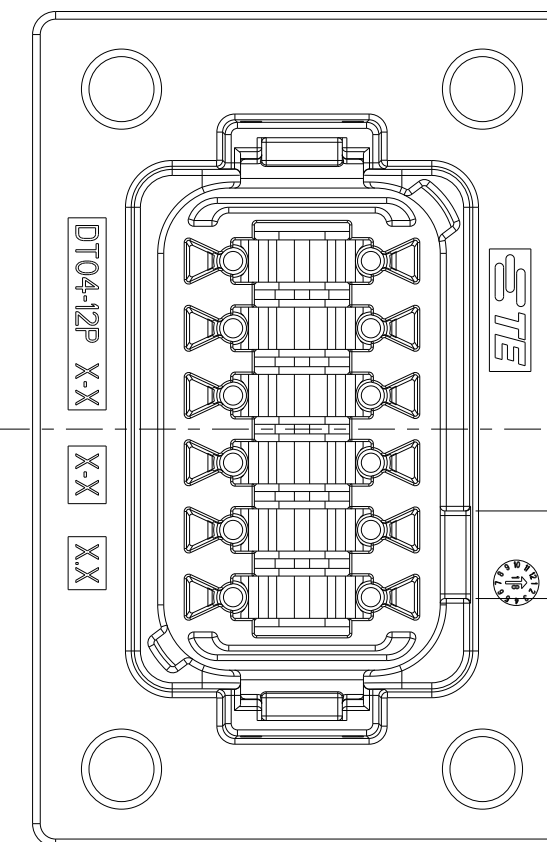
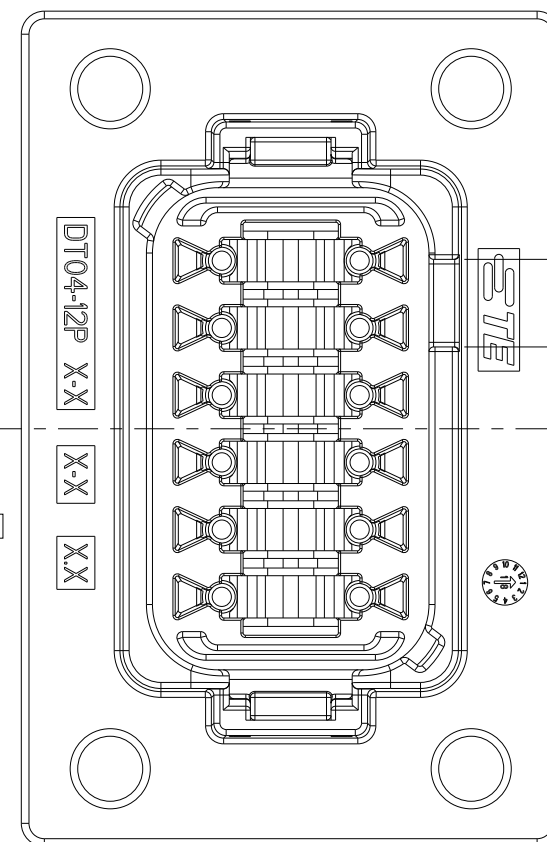
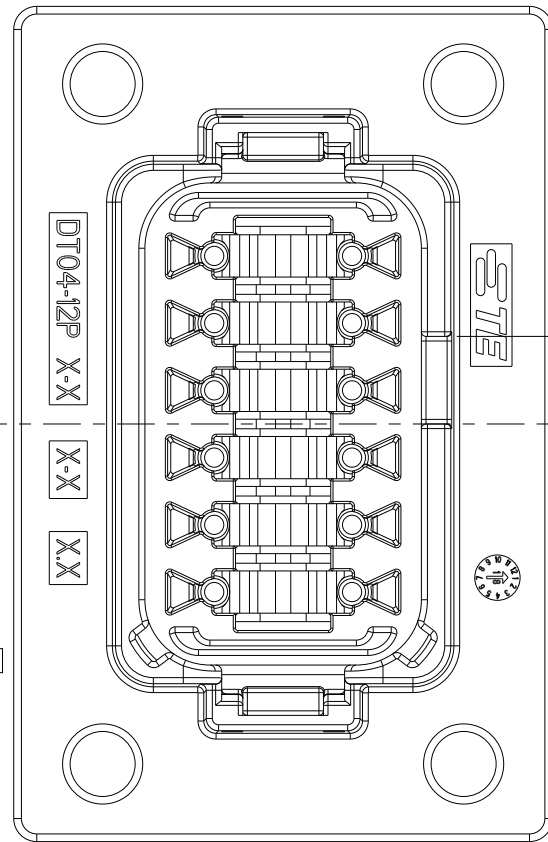
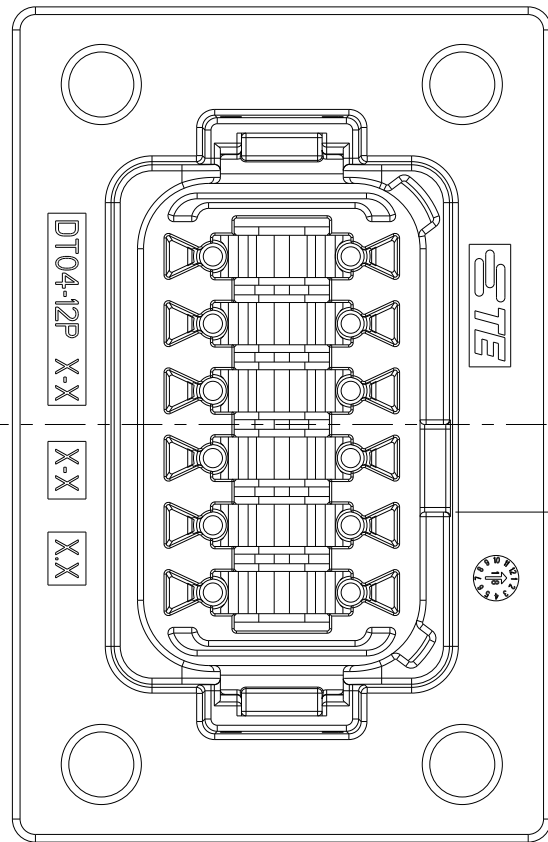
RECOMMENDED PANEL CUTOUT

**DT04-12PA-BL04**  
KEY -A-  
COLOR: GRAY

**DT04-12PB-BL04**  
KEY -B-  
COLOR: BLACK

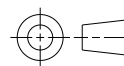
**DT04-12PC-BL04**  
KEY -C-  
COLOR: GREEN

**DT04-12PD-BL04**  
KEY -D-  
COLOR: BROWN



THIS DRAWING IS A CONTROLLED DOCUMENT.

DIMENSIONS:  
INCHES [mm]



TOLERANCES UNLESS OTHERWISE SPECIFIED:

- 0 PLC ±-
- 1 PLC ±-
- 2 PLC ±-
- 3 PLC ±.025 [0.64]
- 4 PLC ±-
- ANGLES ±° 30' 0"
- FINISH -

MATERIAL

DWN R. MESSENGER 01JUN2009  
CHK R. MCCORD 14MAY2010  
APVD S. BEARD 04MAY2010  
PRODUCT SPEC 108-151009  
APPLICATION SPEC 114-151009  
WEIGHT -



NAME  
12 WAY RECEPTACLE WITH ENHANCED KEY AND FLANGE DT SERIES

SIZE	CAGE CODE	DRAWING NO	RESTRICTED TO
A3	00779	DT04-12PX-BL04	-

CUSTOMER DRAWING

SCALE 1:1 SHEET 2 OF 2 REV C2