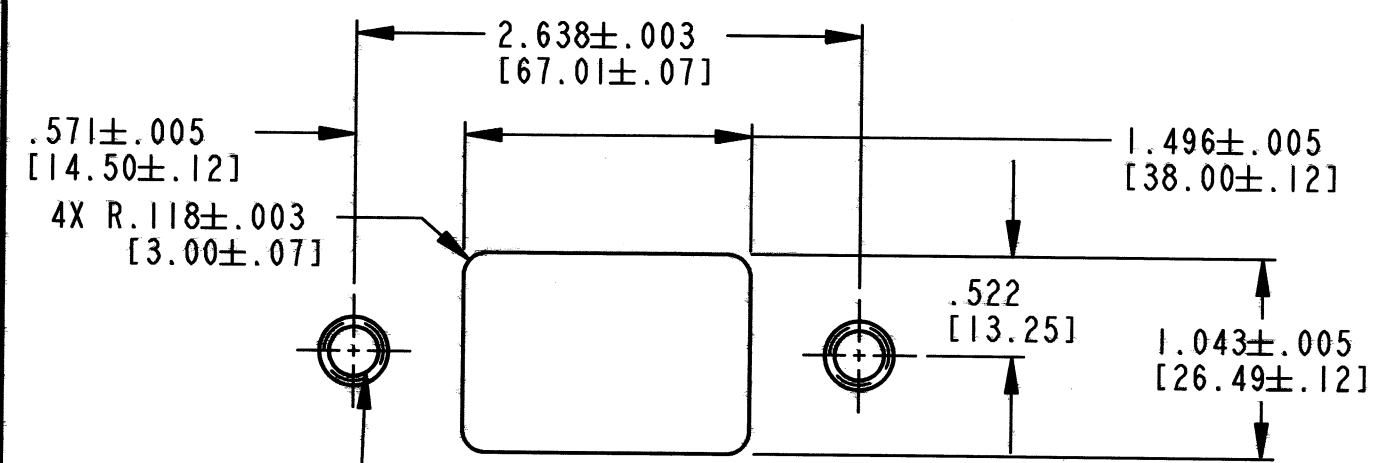


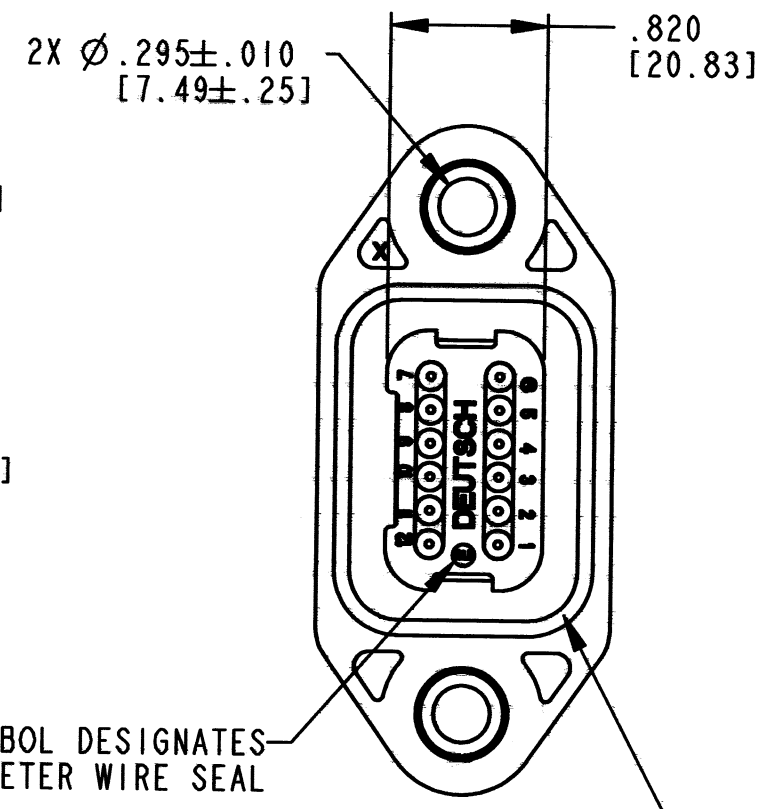
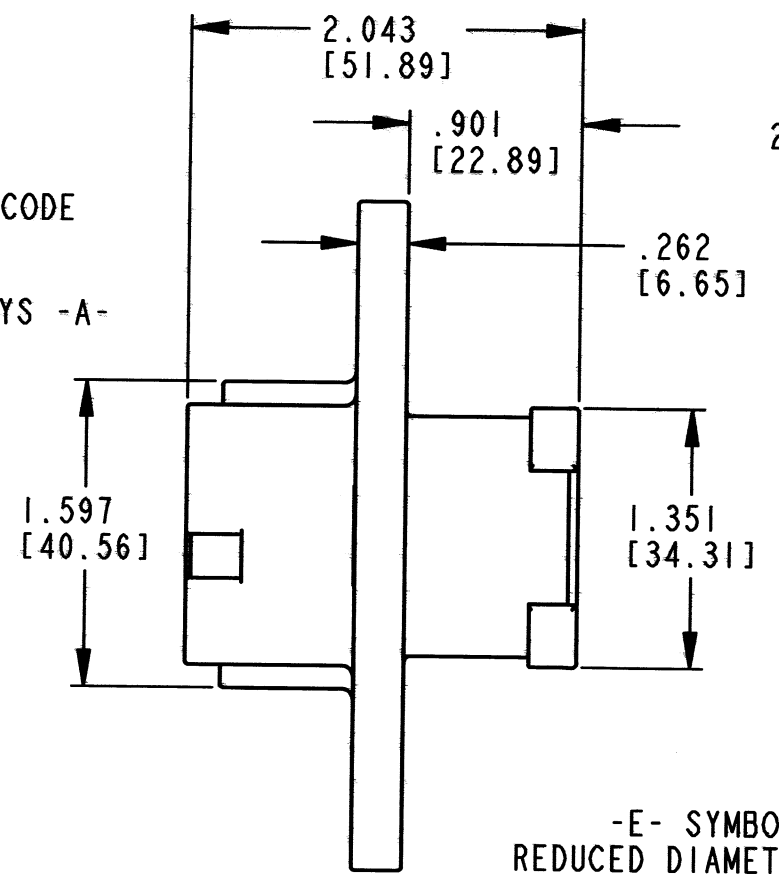
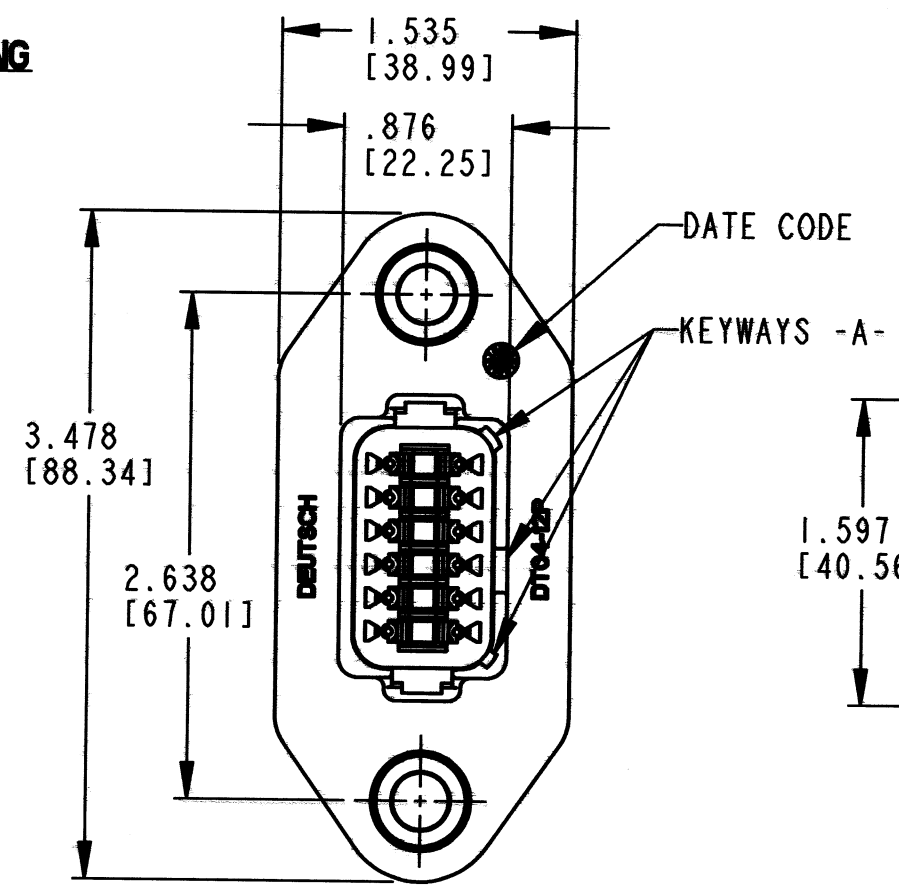
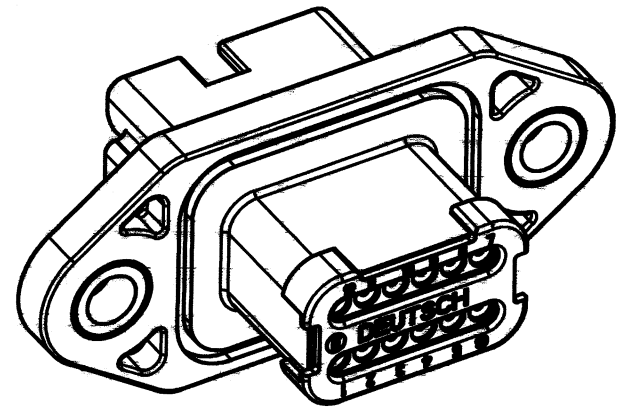
REV NC DT04-12PA-LE24

REVISIONS			
SYM	DESCRIPTION	DATE	APPROVED
NC	NEW RELEASE PER E.O. P21140	11-7-11	RDR

CONTACT SIZE	MIN. INSUL. O.D.	MAX. INSUL. O.D.	WIRE RANGE [mm ²] REF ONLY
16	.053 [1.35]	.120 [3.05]	14-20 AWG [2.0-0.5]



2X DRILL AND TAP BLIND HOLE FOR 1/4-20 FASTENER
RECOMMENDED MOUNTING DETAIL



6. FLANGE SEAL, P/N: 1013-003-1206 SUPPLIED SEPARATELY.
5. MATERIAL: SHELL: PLASTIC; GROMMET: RUBBER
4. THIS RECEPTACLE MATES WITH THE DT06-12SA-**** PLUG. (**** ALL MODIFICATIONS). CONSULT FACTORY FOR MODIFICATIONS.
3. FOR CONTACTS AND WIRE PERFORMANCE AND APPLICATION CHARACTERISTICS SEE ENVELOPE DRAWING 0425-015-0000 AND 0425-017-0000.
2. DIMENSIONS ARE ±.025 [0.064] UNLESS OTHERWISE SPECIFIED.
1. DIMENSIONS ARE IN INCHES [MILLIMETERS].

NOTES:

SIGNATURE & DATE	
DR	A. MALAGON 27SEP11
CHK	[Signature] 11/7/2011
PE	R. W. [Signature] 9/27/11
APPD	[Signature] 11/7/11
SCALE	NONE WT

12 WAY RECEPTACLE
 -LE24 MOD.
 COLOR: BLACK
 DT SERIES

ENVELOPE

EP	NATL. CODE
3850 INDUSTRIAL AVE. HEMET, CA 92545	
B DT04-12PA-LE24	
DWG SIZE	CODE 11139 SHEET OF