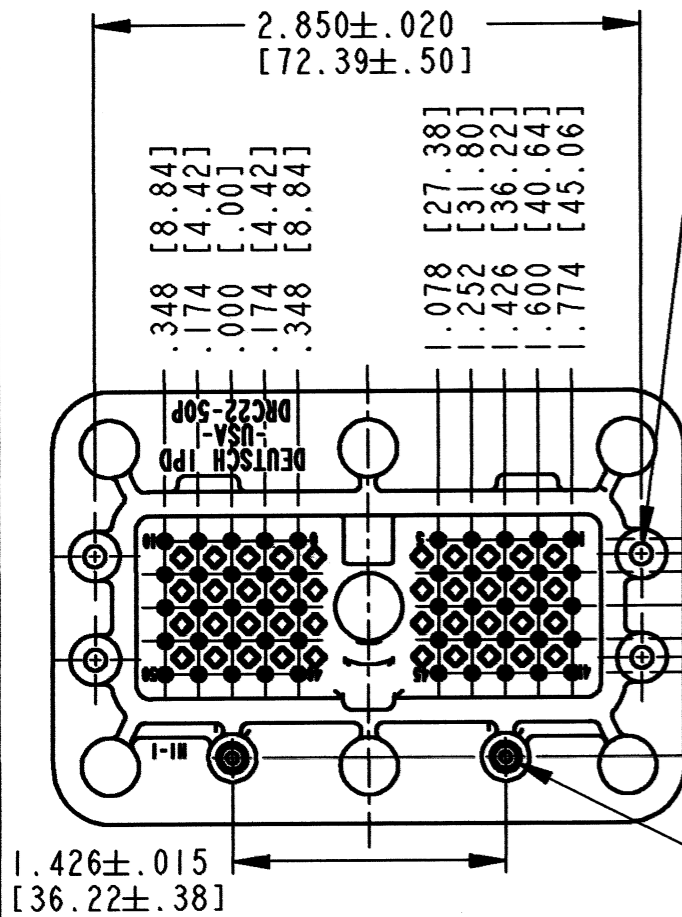
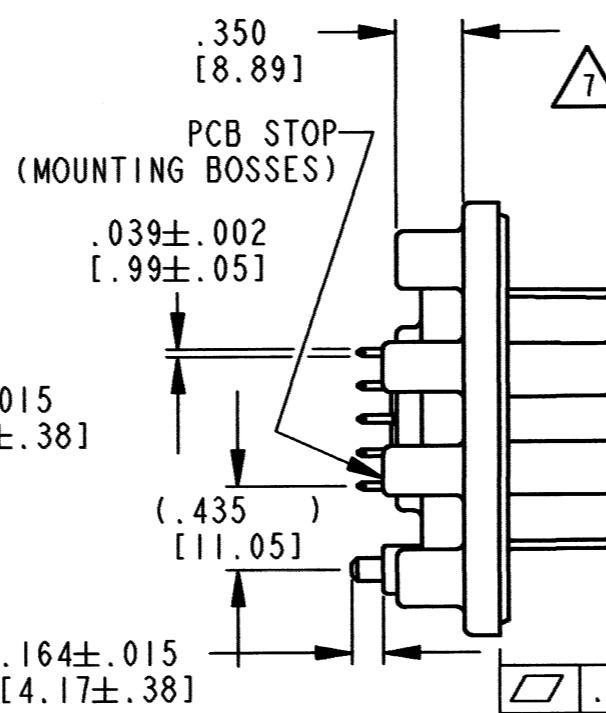


3-DIMENSIONAL VIEW

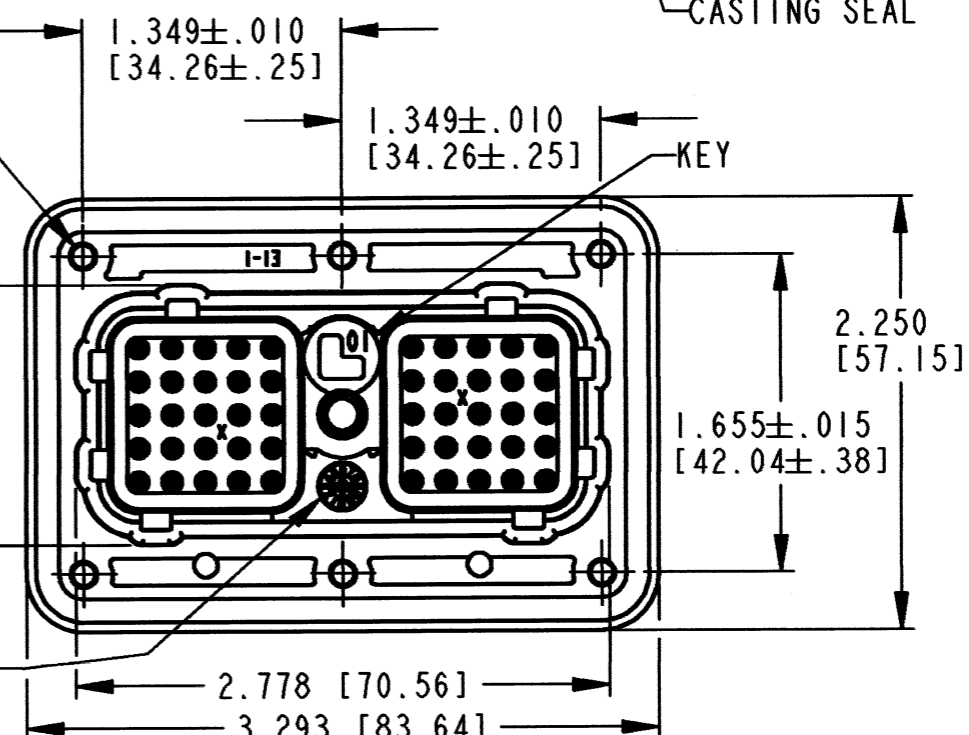
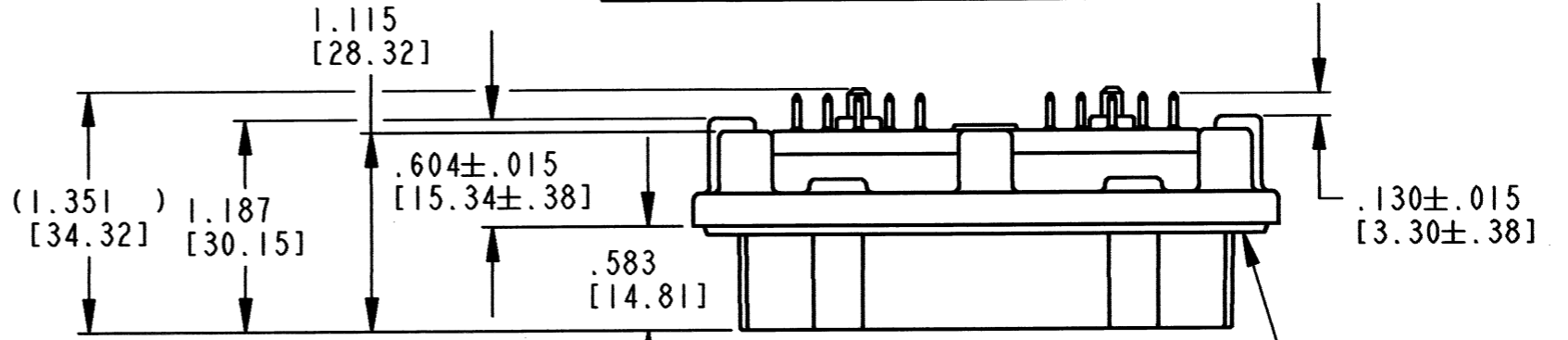
REV	REVISIONS			
E	SYM	DESCRIPTION	DATE	APPROVED
	B	REVISED PER E.O. PI8877	3-30-05	R.D.R.
	C	REVISED PER E.O. PI9527	5-22-07	R.D.R.
	D	REVISED PER E.O. PI9558	7-6-07	R.D.R.
	E	REVISED PER E.O. P20602	9-7-10	ADR



4X $\phi .110 \pm .005$ [2.79±.12]
 .375 ±.015 DEEP
 USES #4-20 SELF TAPPING SCREW



7 6X $\phi .120 \pm .005$ [3.05±.12]
 .472 ±.015 DEEP
 USES #6-19 SELF TAPPING SCREW



- NOTES:
- DIMENSIONS ARE IN INCHES [MILLIMETERS].
 - DIMENSIONS ARE $\pm .025$ [0.63] UNLESS OTHERWISE SPECIFIED.
 - THIS RECEPTACLE MATES WITH DRC26-50S**-* (**** = ALL MODIFICATIONS). CONSULT FACTORY FOR MODIFICATIONS.
 - RECEPTACLE IS SHIPPED WITHOUT DUST CAP.
 - MATERIALS: HIGH TEMP NYLON GF - BLACK
 CONTACT: COPPER ALLOY GOLD INTERFACE SIDE, TIN PCB SIDE
 CASTING SEAL: SILICONE RUBBER
 - PCB CONTACT TOLERANCE FROM DATUMS: $\pm .008$ [0.20]

8 RECOMMENDED SCREW: 4-20 [M3.12 x 1.27] THREAD-FORMING SCREW. TORQUE: 6-10 IN-LB [0.68-1.13 NM].











7 RECOMMENDED SCREW: 6-19 [M3.63 x 1.34] THREAD-FORMING SCREW. TORQUE: 10-20 IN-LB [1.13-2.25 NM].

SIGNATURE & DATE	
DR	S. THEIS 10/10/00
CHK	<i>[Signature]</i> 9/1/10
PE	<i>[Signature]</i> 9/1/10
APPD	<i>[Signature]</i> 9-7-10
SCALE	NONE WT

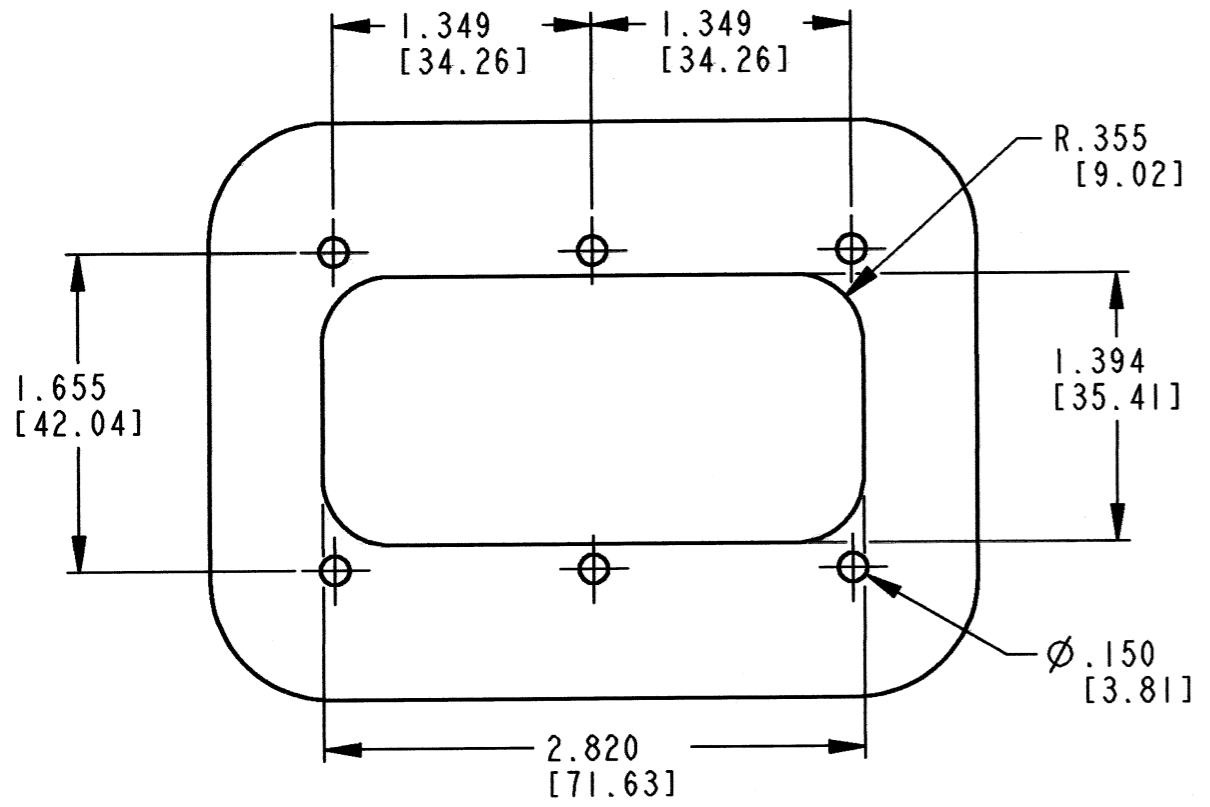
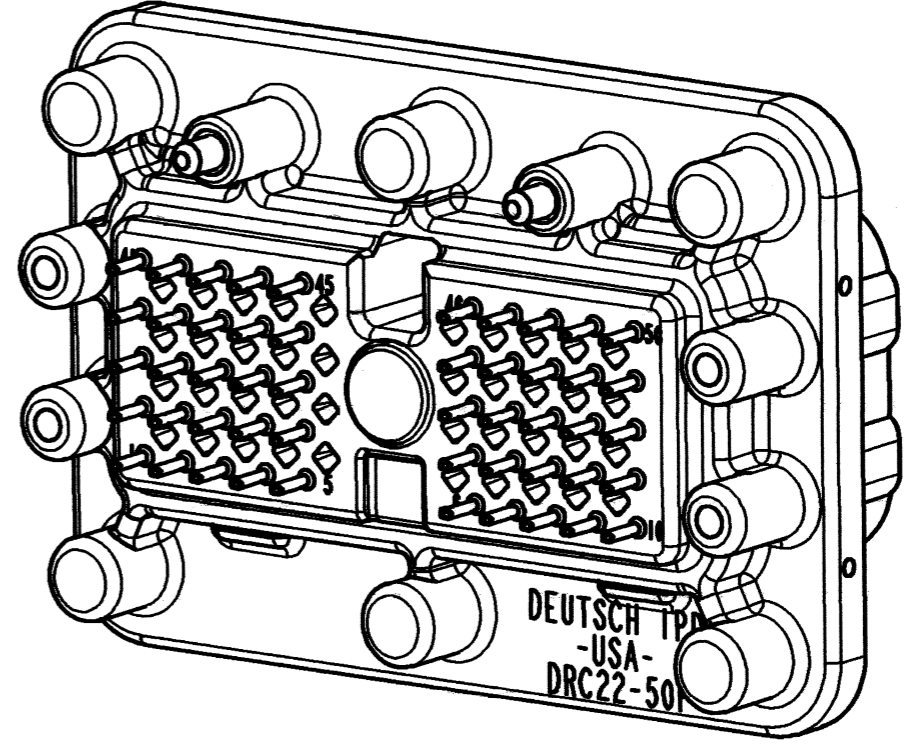
RECEPTACLE WITH FLANGE
 50 PIN
 COLOR: BLACK
 DRC SERIES
 ENVELOPE

EP 100	MATL. CODE
3850 INDUSTRIAL AVE. HEMET, CA 92545	
B DRC22-50P**	
DWG SIZE	SHEET 1 OF 2

REV E	DRC22-50P * *	REVISIONS			
		SYM	DESCRIPTION	DATE	APPROVED
		E	SEE SHEET 1	9/17/10	DM


- | | | | | |
|---|---|---|--|---|
|  |  |  |  |  |
| PART NUMBER
DRC22-50P01
KEY ARR. -01- | PART NUMBER
DRC22-50P03
KEY ARR. -03- | PART NUMBER
DRC22-50P05
KEY ARR. -05- | PART NUMBER
DRC22-50P07
KEY ARR. -07- | PART NUMBER
DRC22-50P09
KEY ARR. -09- |
|  |  |  |  |  |
| PART NUMBER
DRC22-50P02
KEY ARR. -02- | PART NUMBER
DRC22-50P04
KEY ARR. -04- | PART NUMBER
DRC22-50P06
KEY ARR. -06- | PART NUMBER
DRC22-50P08
KEY ARR. -08- | PART NUMBER
DRC22-50P10
KEY ARR. -10- |

KEY ARRANGEMENTS
 ** - AT END OF PART NUMBER DESIGNATES
 KEYING ARRANGEMENT. EX: DRC22-50P02



RECOMMENDED PANEL CUT OUT
 -FOR REFERENCE ONLY-
 SURFACE FINISH TO BE 63/ OR BETTER

NOTES:

	SIGNATURE & DATE	RECEPTACLE WITH FLANGE	EP 100	MATL. CODE
DR	S. THEIS 9/6/00	50 PIN		
CHK	<i>DM</i> 9/17/10	COLOR: BLACK	 3850 INDUSTRIAL AVE. HEMET, CA 92545	
PE	<i>DM</i> 9/17/10	DRC SERIES	B DRC22-50P * *	
APPD	<i>DM</i> 9/17/10		DWG SIZE	CODE 11139
SCALE	NONE	WT	SHEET 2 OF 2	
		ENVELOPE		