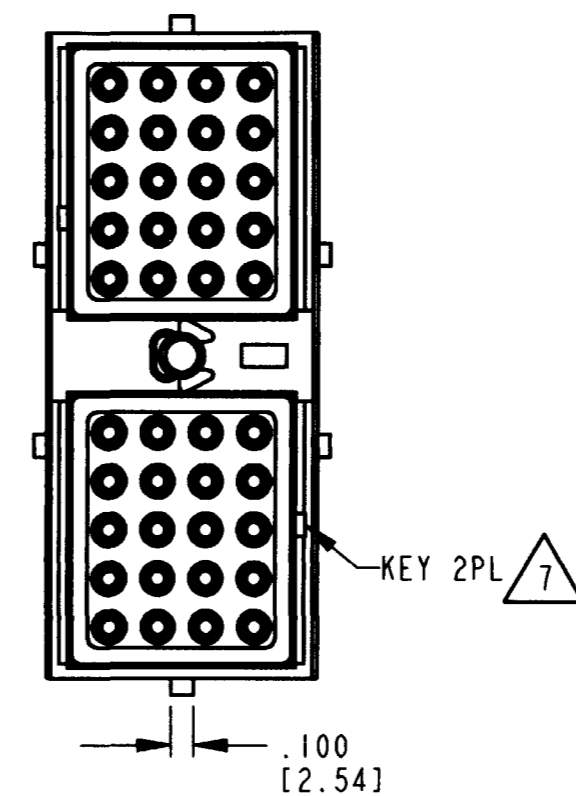
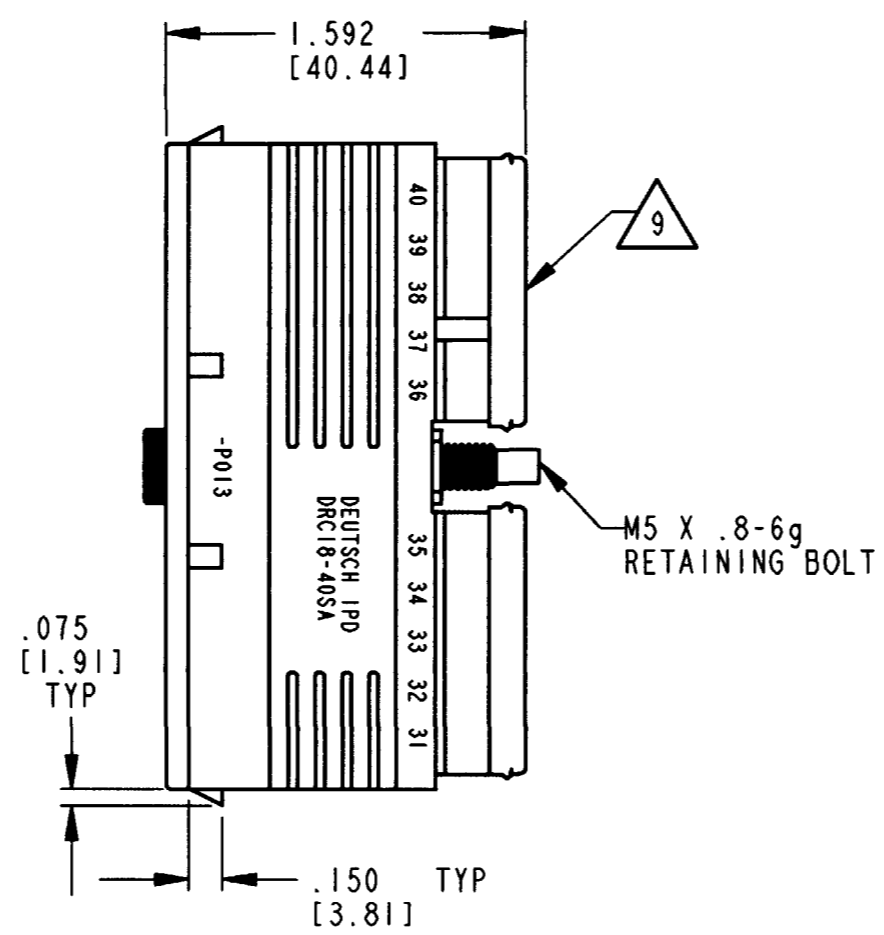
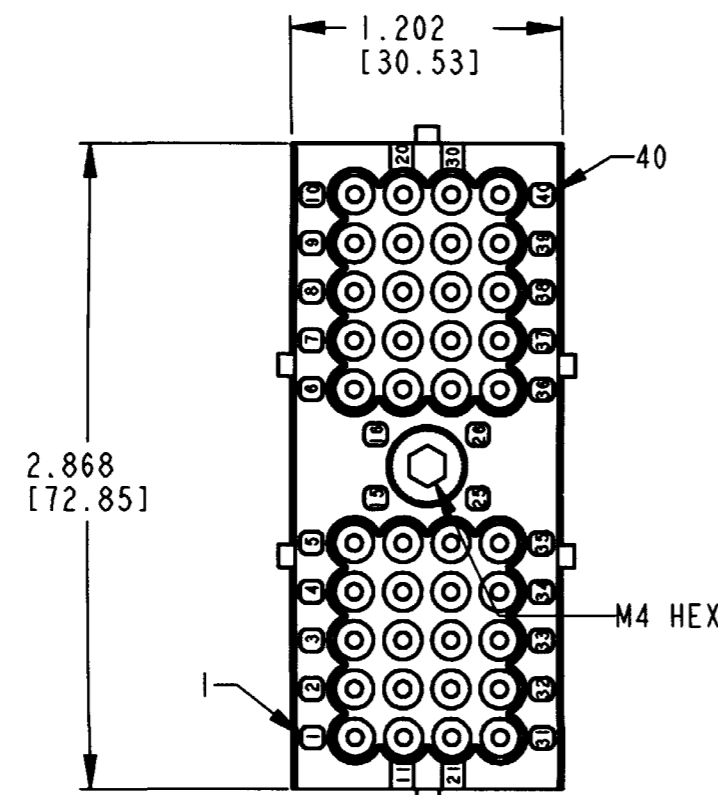


REV
NC **DRC18-40S*P013**

REVISIONS			
SYM	DESCRIPTION	DATE	APPROVED
NC	REDRAWN & REPLACES PREVIOUS		
	ISSUES PER E.O. P17730	4-29-02	RDR



- 8. MATING TORQUE REQUIREMENT: 25-28 IN-LB [2.82-3.13 Nm].
 - 7. SEE SHEET 2 FOR OTHER KEY ARRANGEMENTS.
 - 6. MATERIAL- PLUG: PLASTIC; SEAL/GROMMET: RUBBER; RETAINING BOLT: STEEL.
 - 5. THIS PLUG MATES WITH DRC12-40P*-****; DRC13-40P*-**** AND DRC14-40P*-**** RECEPTACLE. (*=A,B,C,D KEYS; ****=ALL MODIFICATIONS). CONSULT FACTORY FOR MODS.
 - 4. FOR CONTACTS AND WIRE PERFORMANCE AND APPLICATION CHARACTERISTICS, SEE ENVELOPE DRAWING 0425-015-0000.
 - 3. PLUG SUPPLIED WITH DUST CAP. (NOT SHOWN).
 - 2. DIMENSION TOLERANCE: ±.025 [.64].
 - 1. DIMENSIONS ARE IN INCHES [mm].
- NOTES: UNLESS OTHERWISE SPECIFIED

MIN. INSUL. O.D.	MAX. INSUL. O.D.	WIRE RANGE [mm ²] REF ONLY
.100 [2.54]	.134 [3.40]	14-20 AWG [2.0-0.50]

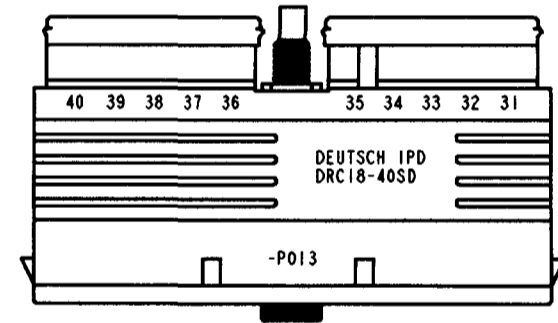
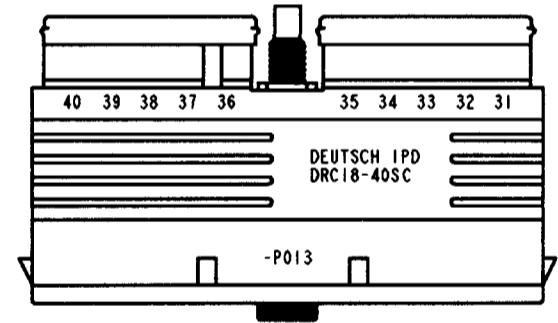
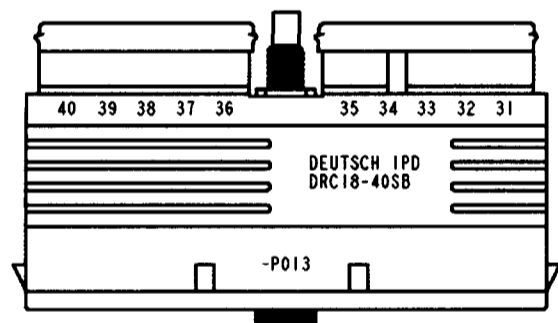
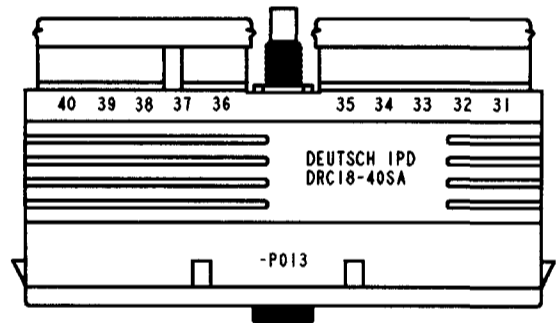
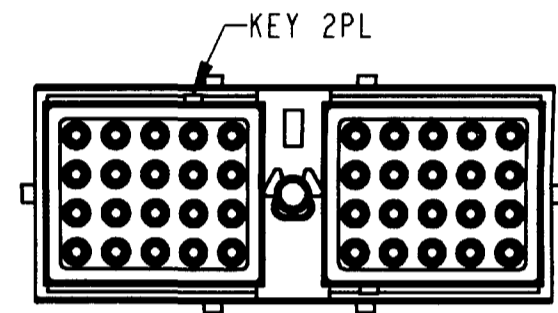
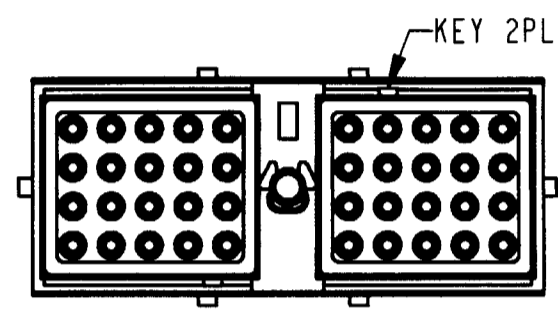
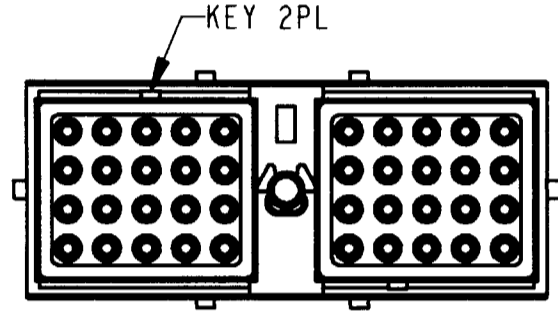
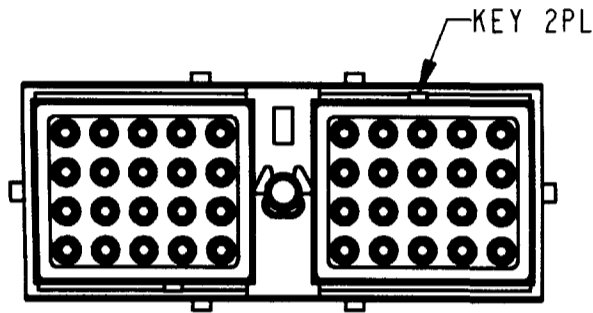
9. PART MODIFICATION: INTERFACE SEALS ARE BONDED TO PLUG HOUSING.

SIGNATURE & DATE	
DR	D. MEYER 04/15/02
CHK	[Signature] 4/23/02
PE	[Signature] 4/23/02
APPD	[Signature] 4-26-02
SCALE	NONE WT

PLUG
40 SIZE 16
KEYS: A,B,C,D
COLOR: BLACK
DRC SERIES
ENVELOPE

CP	MATL. CODE
The Deutsch Company DEUTSCH I.P.D. 3850 INDUSTRIAL AVE. HEMET, CALIF. 92545	
B DRC18-40S*P013	
DWG SIZE	CODE 11139 SHEET 1 OF 2

REV NC	DRC18-40S*P013	REVISIONS			
		SYM	DESCRIPTION	DATE	APPROVED
			SEE SHEET 1	4-15-02	<i>DM</i>



DRC18-40SA-P013
KEY: -A-

DRC18-40SB-P013
KEY: -B-

DRC18-40SC-P013
KEY: -C-

DRC18-40SD-P013
KEY: -D-

NOTES:

SIGNATURE & DATE		PLUG 40 SIZE 16 KEYS: A,B,C,D COLOR: BLACK DRC SERIES ENVELOPE	CP	MATL. CODE
DR	<i>D. MEYER 04/15/02</i>		The Deutsch Company DEUTSCH I.P.D. 3850 INDUSTRIAL AVE. HEMET, CALIF. 92545	
CHK	<i>B. Reed 4/15/02</i>		B	DRC18-40S*P013
PE	<i>D. Meyer 4/15/02</i>			
APPD	<i>B. Reed 4-15-02</i>			
SCALE	NONE	WT		