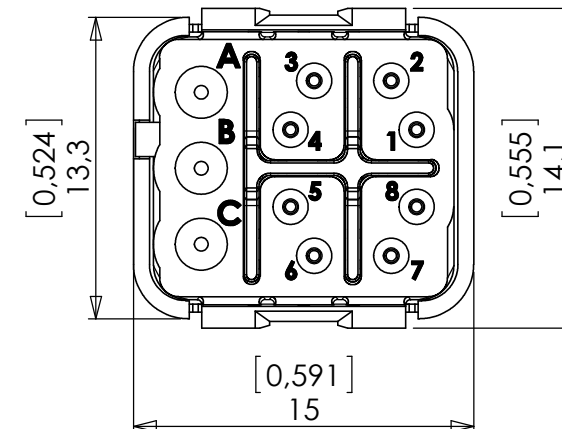
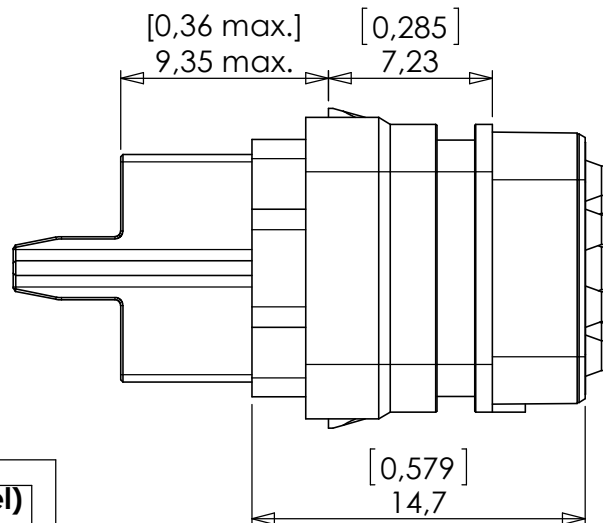
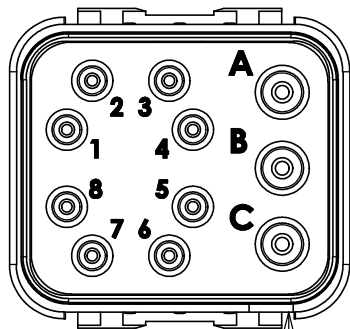


Issue de la norme EN4165
Arise of EN4165 standard

DMC-M 99-02 AX



X: Codage A,B,C,D,E,F,G,H ou N (universel)
X: Keying A,B,C,D,E,F,G,H or N (universal)
(1)

CARACTERISTIQUES:

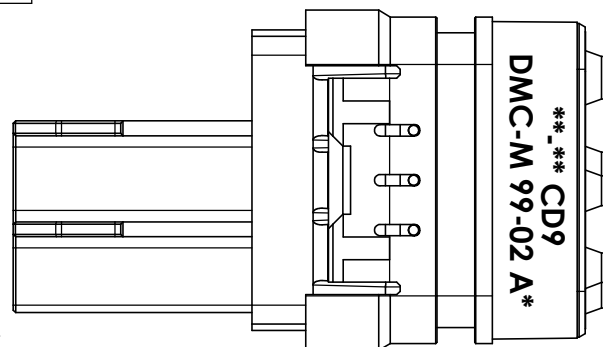
Température d'utilisation: -55°C à +175°C
Matériaux: Thermoplastique, silicone fluoré
Tenue de tension:

- contacts #22 : 1300 V eff. ; 50Hz
- contacts #20 : 1500 V eff. ; 50Hz

Masse: 3,6g Maxi
Dimensions: Millimètres [pouces]
Utilisation de Contacts:

- 8 contacts mâles #22 - EN3155-008M2222
- 3 contacts mâles #20 - EN3155-008M2020

Outils insertion/extraction:
- #22 - M81969/14-01
- #20 - M15570-20



CHARACTERISTICS:

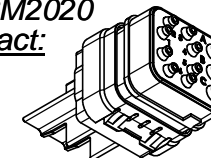
Operating temperature range: -55°C to +175°C
Material: Thermoplastic and fluorosilicone
Withstanding voltage:

- contacts #22 : 1300 V eff. ; 50Hz
- contacts #20 : 1500 V eff. ; 50Hz

Weight: 3,6g Maxi
Dimensions: Millimeters [inches]
Use of contacts:

- 8 Pin #22 - EN3155-008M2222
- 3 Pin #20 - EN3155-008M2020

Insertion/extraction tool fo contact:
- #22 - M81969/14-01
- #20 - M15570-20



Module livré sans contact / Module delivered without contact

c	10/04/2017	OE080417	SERIE DMC-M	DATE 21/11/2013	VISA Creation Created	VISA Approval Approval	-	-
b	13/02/2014	OE190214						
Revision	Date	Observations	DESIGNATION Module Mâle High-speed 99-02	REF : DMC-M 99-02 AX	(1)			
ORIGINE :	DE122/12		Male High-speed Module 99-02	P/N:				
			VERSION	REVISION				

TE **Connecteurs Electriques Deutsch**
17, rue LAVOISIER - BP 117 - 27091 EVREUX CEDEX 09 - FRANCE

FICHE TECHNIQUE
TECHNICAL DATA SHEET

204-19-C/101