

SHUNT MODULE

CHARACTERISTIQUES / PERFORMANCE

CONNECTOR TYPE \_\_\_\_\_  
DMC-M

ARRANGEMENT \_\_\_\_\_  
22-05 5 Shunts 4 Ways  
22-07 3 Shunts 4 Ways and 4 Shunts 2 Ways  
22-10 10 Shunts 2 Ways

CONTACT TYPE \_\_\_\_\_  
S = Female Contact  
B = Without Female Contact

POLARIZATION \_\_\_\_\_  
N, A, B, C, D

Temperature : -55°C à/to +175°C

Matériaux / Material : Thermoplastic and silicone (black and blue)

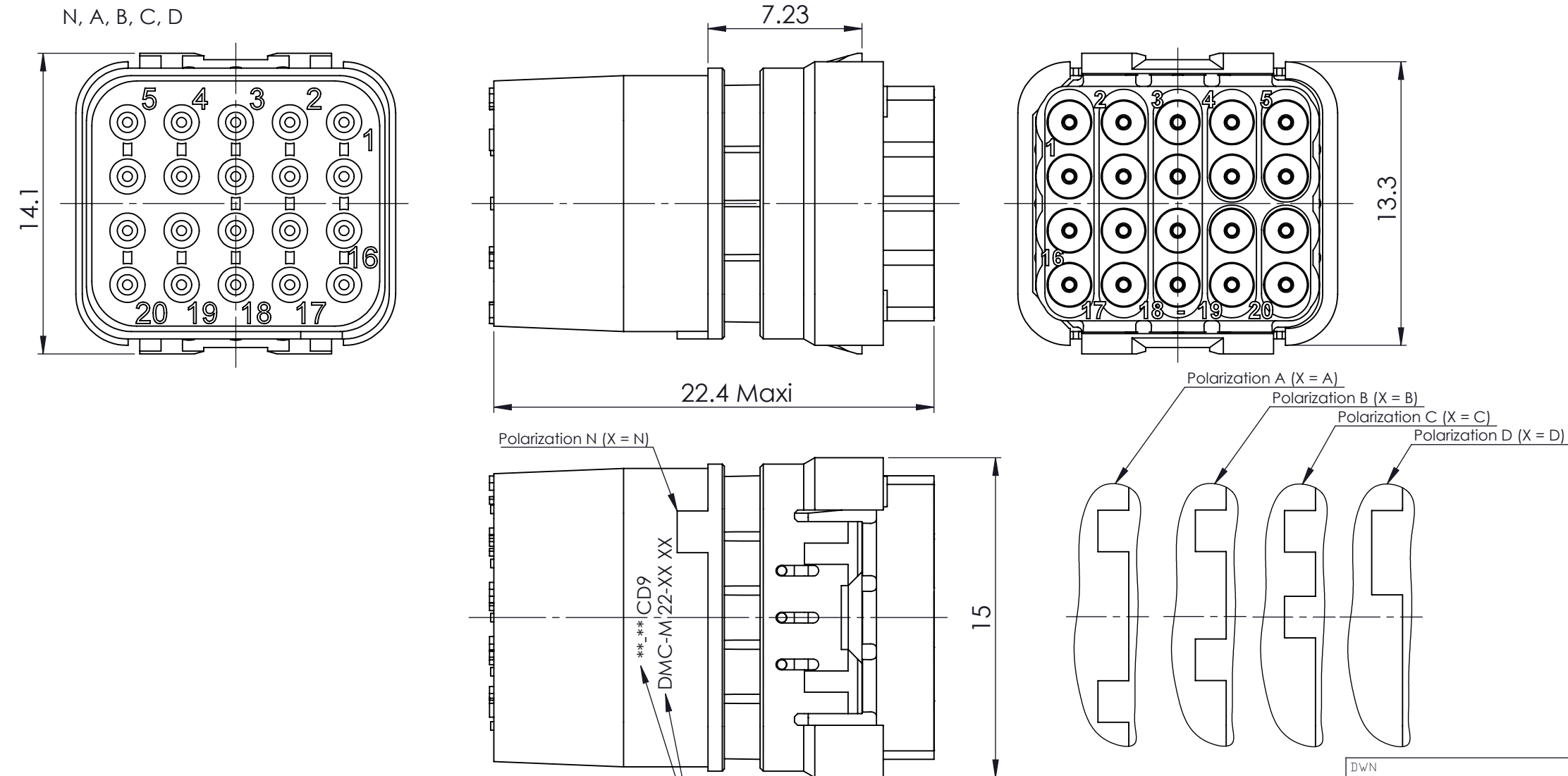
Ø Cables : 0.71 à 1.37 mm

Module utilisant uniquement les contacts 724-1272-22 / Module wiring only with contacts : 724-1272-22

Résistance électrique entre 2 shunts / Electrical resistance between 2 derivations : 12 mOhm Maxi

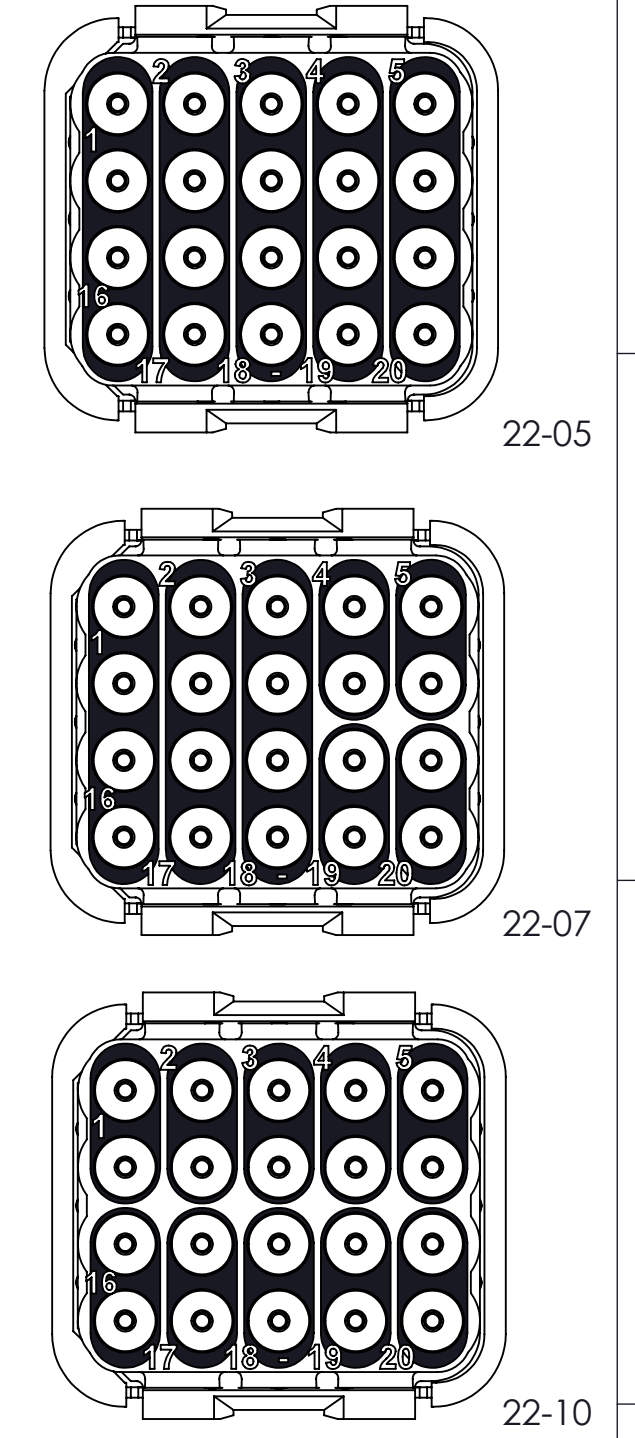
Module fourni avec ses contacts 724-1272-22 pour cavités shuntées / Contacts Socket 724-1272-22 are delivered with module

1 Marquages réalisés sur la face opposée aux clés



USED ON \_\_\_\_\_

Arrangements (vue coté insertion contacts)  
Layouts (side view insertion contacts)



Interface Type : EN4165  
Conforme : MBBN 3330Y 2022 SX

Représentation de l'arrangement 22-07 en codage  
Layout 22-07 represented, with keying

DIMENSIONS: MM		TOLERANCES UNLESS OTHERWISE SPECIFIED:	
	0 PLC	±	
	1 PLC	±0.05	
	2 PLC	±0.05	
	3 PLC	±0.02	
	4 PLC	±	
ANGLES ±°			
SURFACE TEXTURE			

DWN	LAKSHMI SUDHA R	MATERIAL	-	HEAT TREAT	-
CHK	RAKESH S	TE Connectivity			
APVD	VINCENT P				
NAME	MODULE S & B				
SCALE	SIZE	DRAWING NO	SHEET	REV	
4:1	A3	DMC-M_22-XX_S+	1 OF 1	A	

THIS INFORMATION IS CONFIDENTIAL AND PROPRIETARY TO TYCO ELECTRONICS CORPORATION AND ITS WORLDWIDE SUBSIDIARIES AND AFFILIATES (TE). IT MAY NOT BE DISCLOSED TO ANYONE, OTHER THAN TE PERSONNEL, WITHOUT AUTHORIZATION FROM TE (www.TE.com).