

THIS DRAWING IS A CONTROLLED DOCUMENT

DWG NO
DMC-M_20-22_P+

USED ON _
Issue de la norme EN4165
Arise of EN4165 standard


STANADARD MODULE

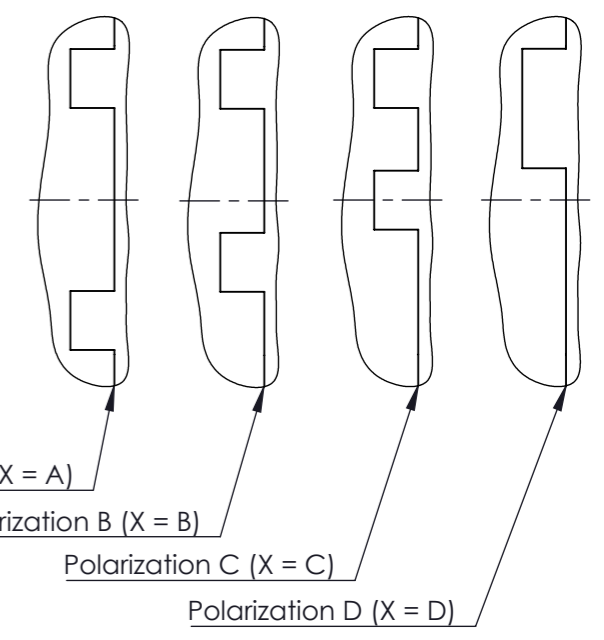
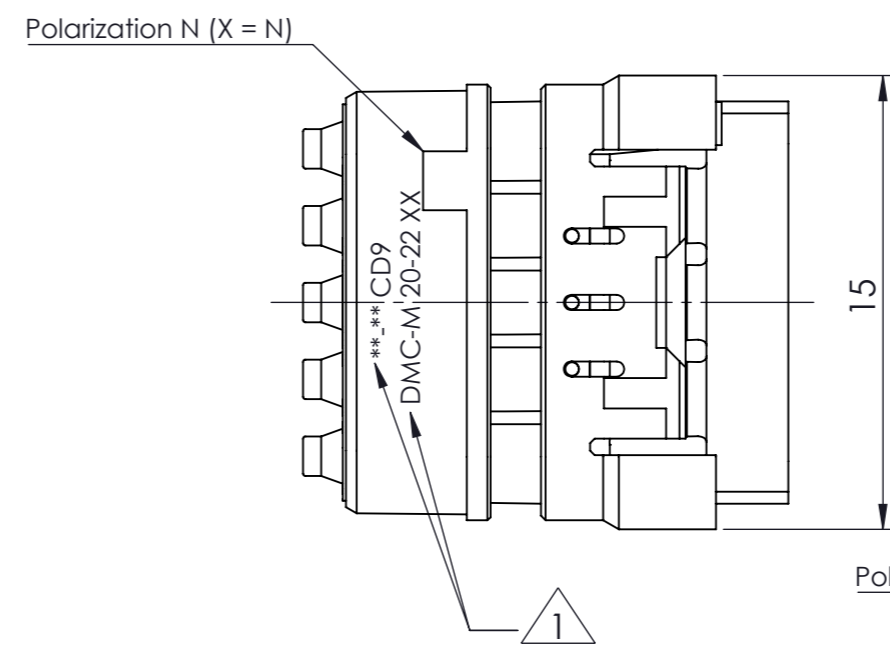
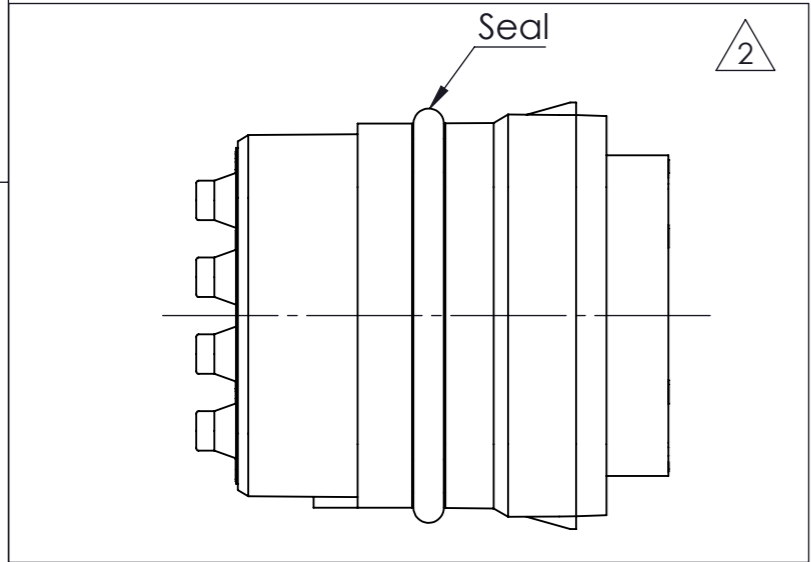
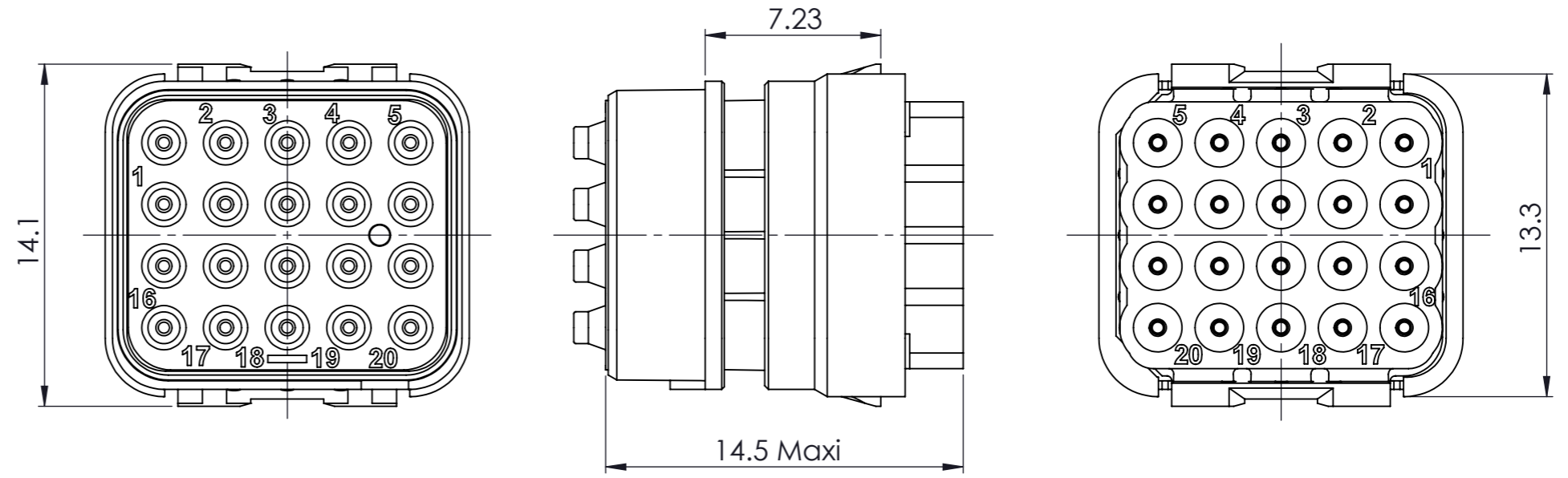
CONNECTOR TYPE — DMC-M

ARRANGEMENT — 20-22

CONTACTS —
P = Standard Male Contact
A = Without Male Contact


POLARIZATION —
N, A, B, C, D


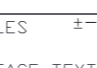

SEALING (Optional) —
Omit - Standard (No Sealing)
E = Sealed 




CHARACTERISTIQUES

- Température d'utilisation : -55°C à +175°C
- Matériaux : Thermoplastique et silicone
- Tenue de tension : 1300 V eff. ; 50 Hz
- Masse : 3.6g Maxi (Hors contacts)
- Contacts : Male #22 : 724-0001-22 / EN3155008M2222
- Outil insertion/extraction contacts : M81969/14-01

 Marquages realises sur la face opposee aux clés

DIMENSIONS: MM		TOLERANCES UNLESS OTHERWISE SPECIFIED:	
	0 PLC	±	
	1 PLC	±0.05	
	2 PLC	±0.05	
	3 PLC	±0.02	
	4 PLC	±	
ANGLES	±°		
SURFACE TEXTURE			

DWN LAKSHMI SUDHA R	MATERIAL -	HEAT TREAT -
CHK RAKESH S	 TE Connectivity	
APVD VINCENT P		
NAME MODULE P & A		
SCALE 4:1	SIZE A3	DRAWING NO DMC-M_20-22_P+
	SHEET 1 OF 1	REV A

THIS INFORMATION IS CONFIDENTIAL AND PROPRIETARY TO TYCO ELECTRONICS CORPORATION AND ITS WORLDWIDE SUBSIDIARIES AND AFFILIATES (TE). IT MAY NOT BE DISCLOSED TO ANYONE, OTHER THAN TE PERSONNEL, WITHOUT AUTHORIZATION FROM TE (www.TE.com).