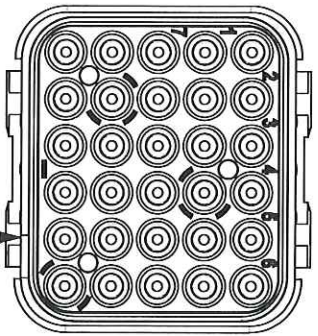
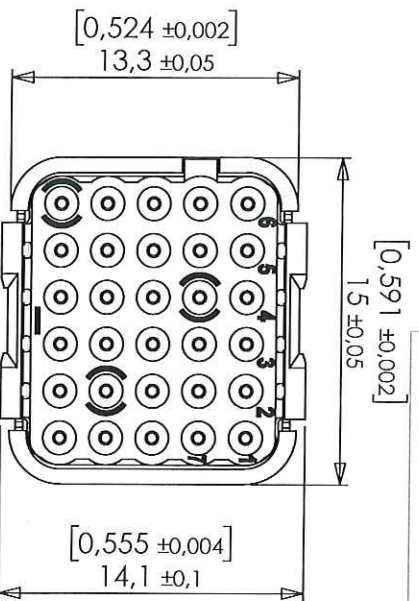
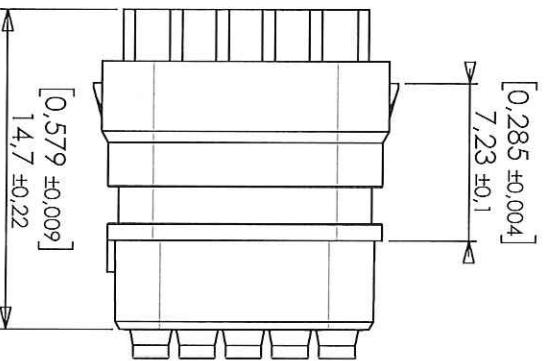


Dimensions externes suivant EN41 65-003
External dimensions according to EN41 65-003

DMC-MR 30-23 BX

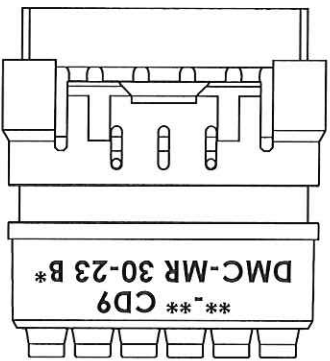


(1) X: Codage A,B,C,D,E,F,G,H ou N
X: Keying A,B,C,D,E,F,G,H or N



CARACTERISTIQUES:

Température d'utilisation: -55°C à +175°C
Matériaux: Thermoplastique, silicone fluoré violet
Masse: 2,5g Maxi
Dimensions: Millimètres [pouces]
Contacts:
- Femelle #23 câble cuivre - 182-4042-23
Outil insertion/extraction contacts:
-M81969/14-01



CHARACTERISTICS:

Operating temperature range: -55°C to +175°C
Materials: Thermoplastic and purple fluorosilicone
Weight: 2,5g Maxi
Dimensions: Millimeters [inches]
Contacts:
- Socket #23 for copper cable - 182-4042-23
Contacts insertion/extraction tool:
-M81969/14-01

NOTE: reinforced resistance version
with kerosene, order under reference
DMC-MR 30-23 BX 395

Module livré sans contact femelle / Module delivered without socket contact

d	14/12/20	OE021220	SERIE	DMC-M	DATE	04/03/2013	VISA Creation Created	VISA Approval Approved	VERSION	REVISION
c	17/02/20	OE120220								
Revision	Date	Observations	DESIGNATION		REF:					
ORIGINE: ORIGIN:	DE156/13		Module mâle pour contact femelle #23 Pin module for #23 socket contact		DMC-MR 30-23 BX (1)					



Connecteurs Electriques Deutsch
17, rue LAVOISIER - BP 117 - 27091 EVREUX CEDEX 09 - FRANCE

FICHE TECHNIQUE
TECHNICAL DATA SHEET

204-19-C/01