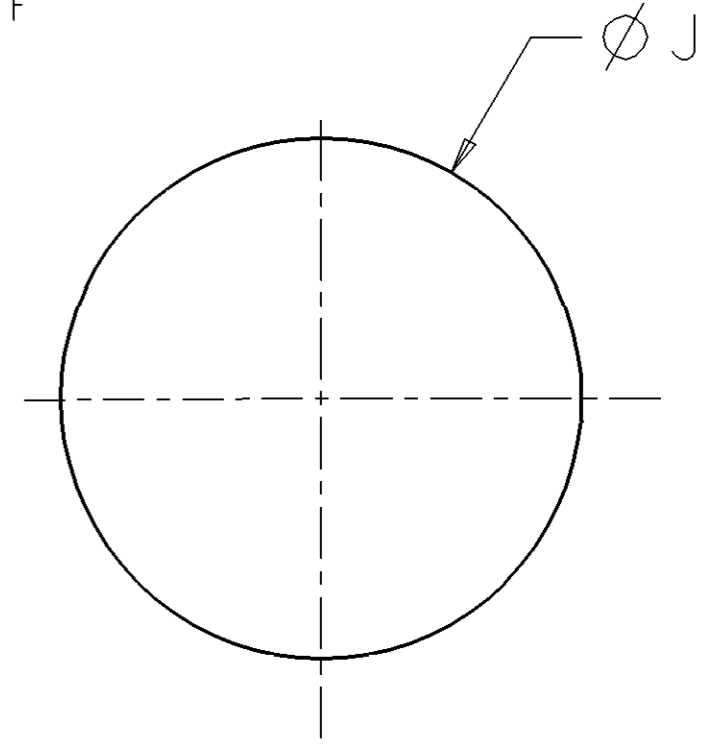
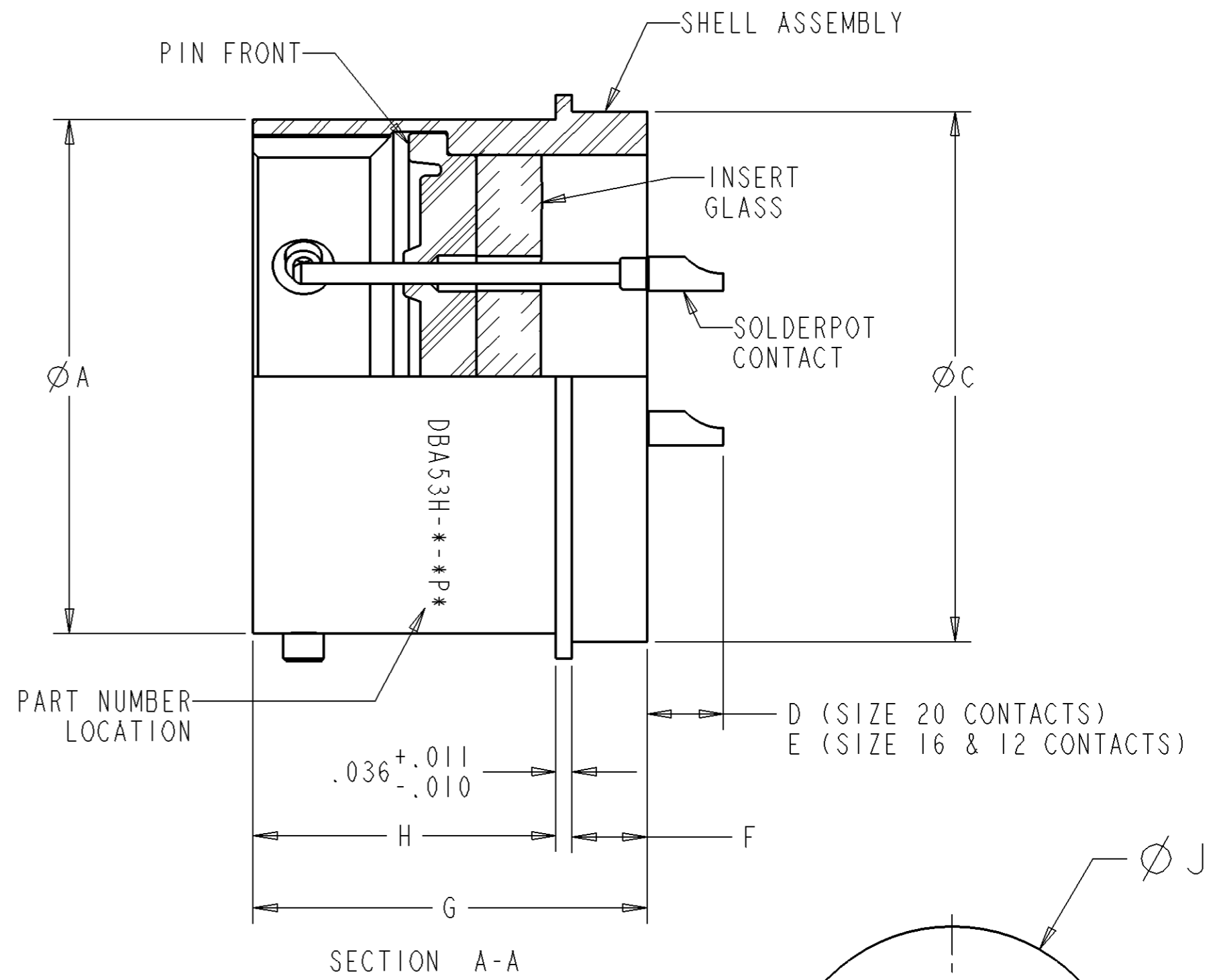
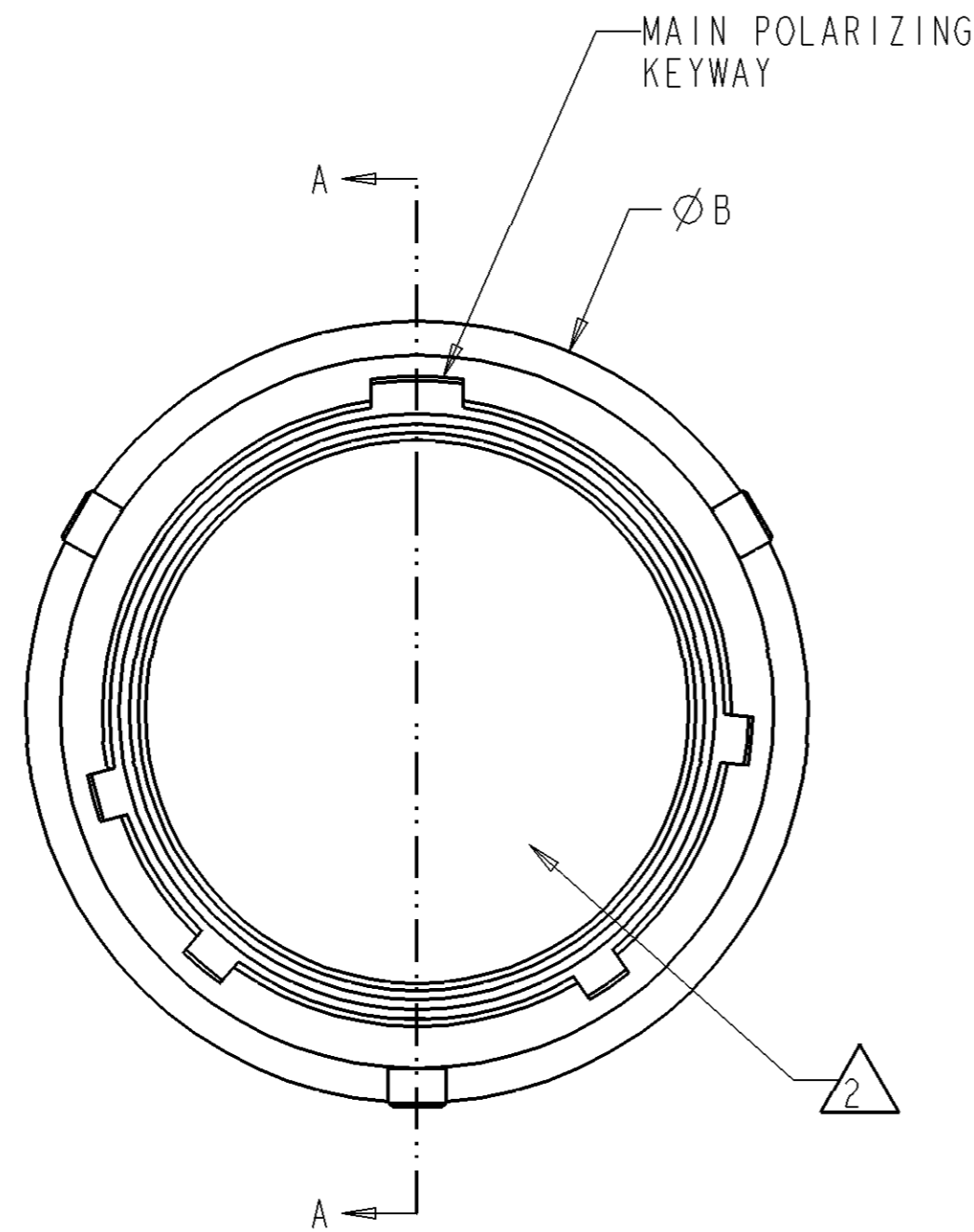


REVISIONS			
REV	DESCRIPTIONS	DATE	APPROVED
N/C	NEW RELEASE PER E.O.H4532	2-27-09	S.L.



PART No:	+ .001 A - .005	B ± .010	+ .001 C - .005	D ± .030	E ± .030	+ .000 F - .040	G MAX. REF.	H ± .010	+ .010 J - .000
DBA53H-8-*P*	.473	.625	.562	.148	.218	.156	.801	.588	.570
DBA53H-10-*P*	.590	.750	.672	.148	.218	.156	.801	.588	.680
DBA53H-12-*P*	.750	.844	.781	.148	.218	.156	.801	.588	.789
DBA53H-14-*P*	.875	.969	.906	.148	.218	.156	.801	.588	.914
DBA53H-16-*P*	1.000	1.094	1.031	.148	.218	.156	.801	.588	1.039
DBA53H-18-*P*	1.125	1.218	1.156	.148	.218	.156	.801	.588	1.164
DBA53H-20-*P*	1.250	1.312	1.250	.148	.218	.156	.863	.650	1.258
DBA53H-22-*P*	1.375	1.438	1.375	.116	.186	.188	.895	.650	1.383
DBA53H-24-*P*	1.500	1.564	1.500	.116	.186	.188	.895	.650	1.508

PART NUMBER DESCRIPTION:
 DBA53H-**-**P*

SHELL SIZE: _____
 8, 10, 12, 14, 16, ...
 INSERT ARRANGEMENT: _____
 CONTACT PIN WITH SOLDER POT: _____
 INSERT POSITION: _____
 EXAMPLE; N = NORMAL
 W, X, Y, Z

- DIMENSIONS ARE IN INCHES UNLESS OTHERWISE SPECIFIED.
- INSERT ARRANGEMENT PER MIL-STD-1669.
- LEAK RATE: < 1E-8 cc/sec He @ 1 atm.
- MATES WITH AFD56-**-**S* DEUTSCH PLUG CONNECTOR.
- MATERIAL:
 SHELL - STAINLESS STEEL
 INSULATOR - GLASS INSERT
 CONTACT - 52 HIGH NICKEL-IRON ALLOY
 INSERT PIN FRONT - FLUROSILICONE

6. FINISH: SHELL - PASSIVATED
 CONTACT - GOLD OVER NICKEL PLATE
 NOTE(S):

SIGNATURE & DATE	
DR	M.ALLEN 2-27-09
CHK	S.LUI 2-27-09
PE	
APPD	A.RENGIFO 3/2/09
SCALE: NONE	

CONNECTOR, RECEPTACLE
 HERMETIC
 PIN UNIT
 SOLDER MOUNTING
 BAYONET COUPLING
 MIL-C-26482 SERIES 2
 MS3443
 ENVELOPE

FILE: DBA53H-XX-XXPX-ENV

CP	MATL CODE
DEUTSCH ENGINEERED INTERCONNECT SOLUTIONS 250 Eddie Jones Way Oceanside, CA 92058	
C	DBA53H-**-**P*
DWG SIZE	CAGE CODE 11139
	SHEET 1 OF 1