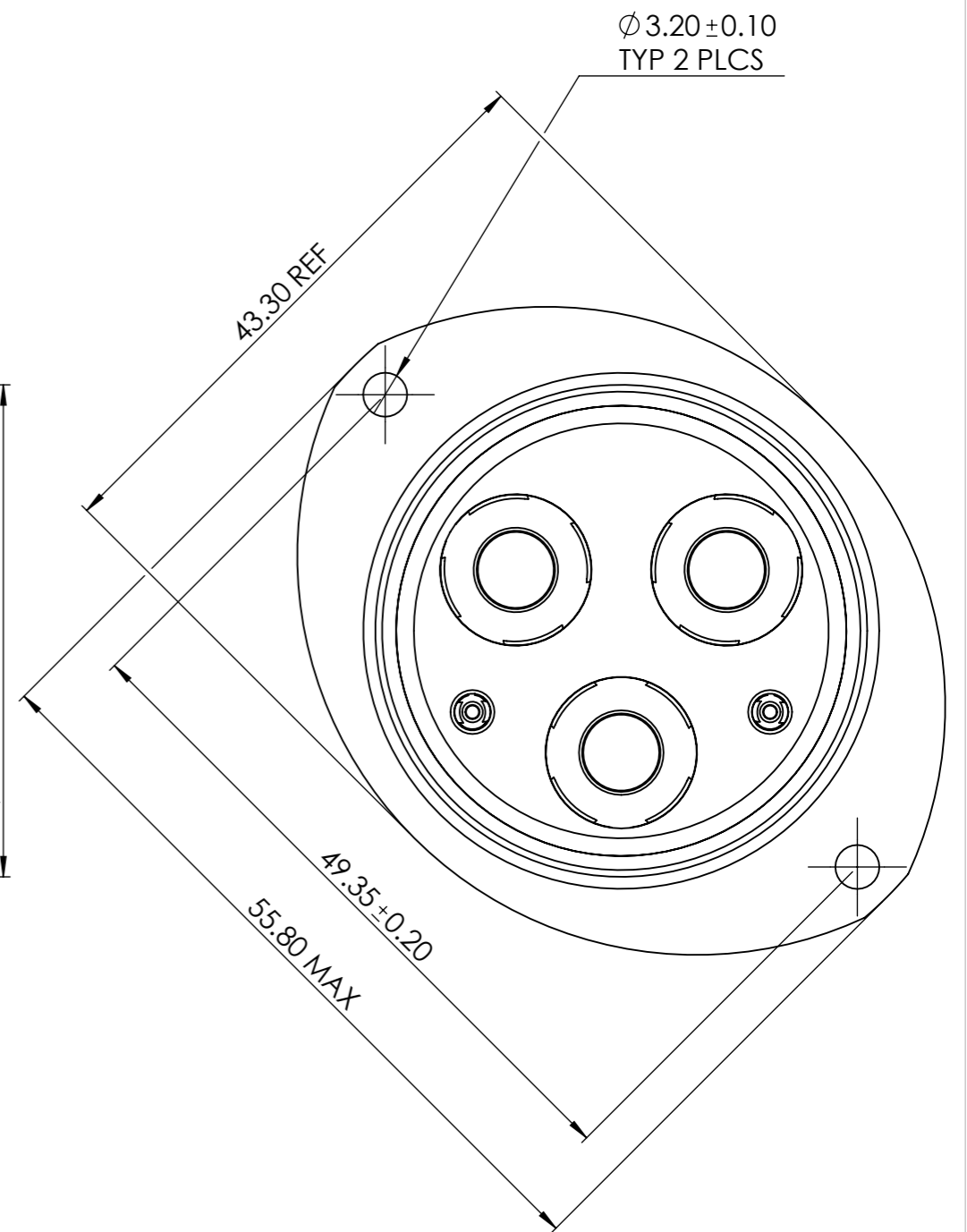
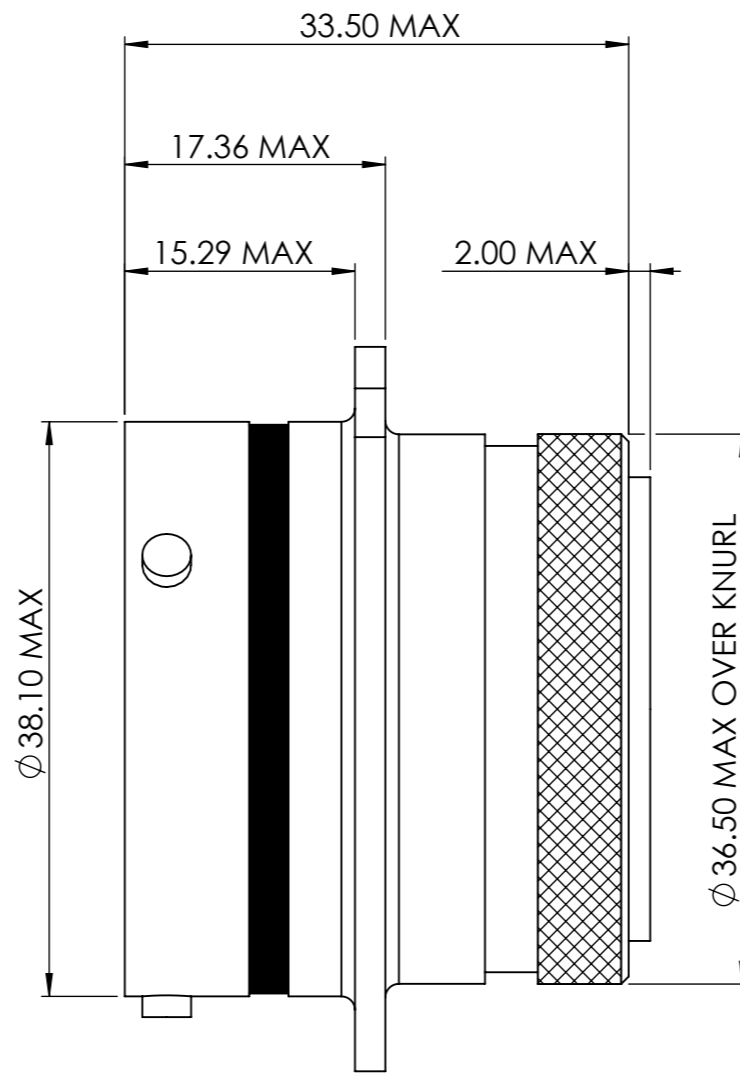
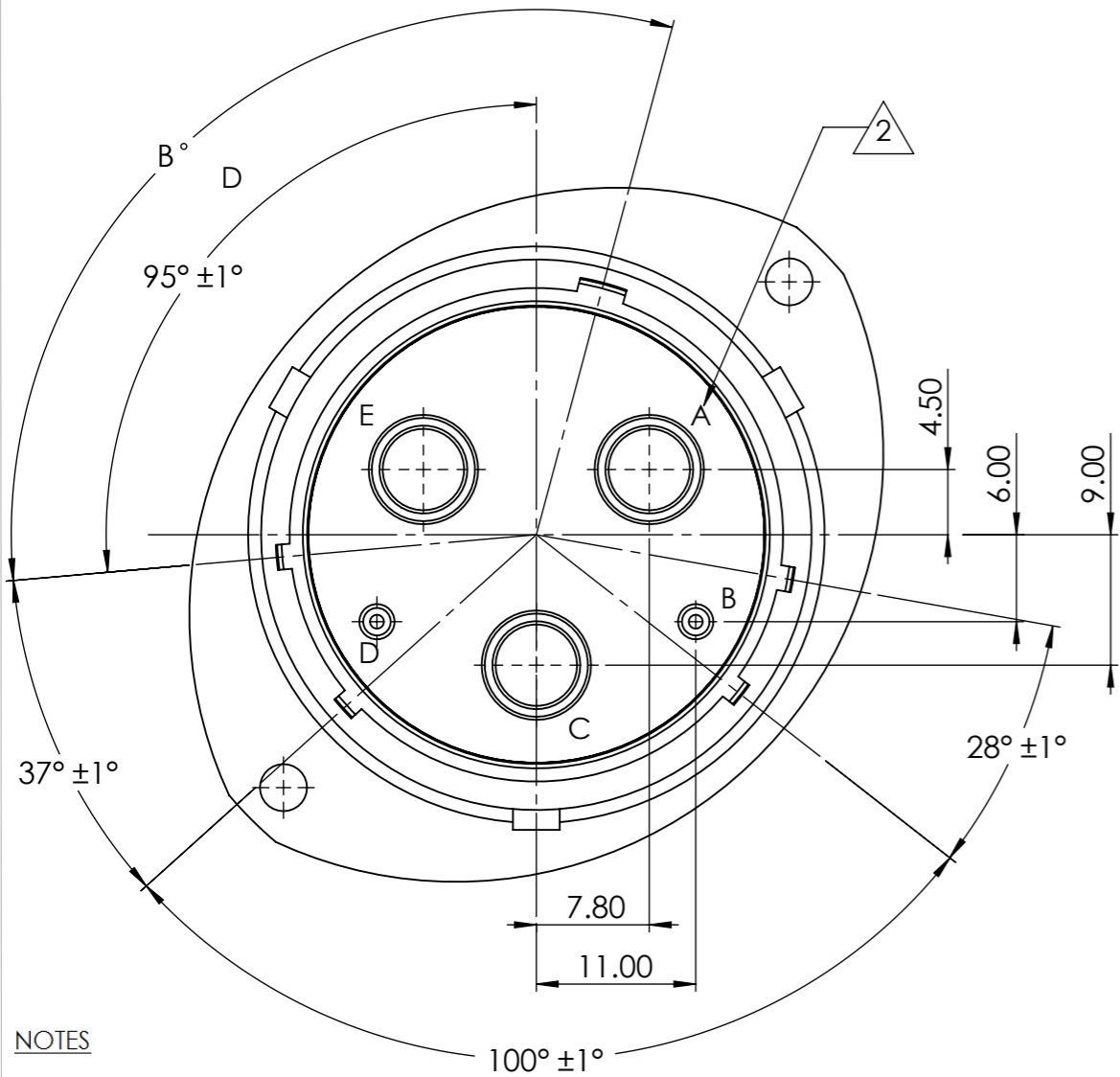


DRAWING NUMBER

611745-ENV

A3

BS 8888
THIRD ANGLE
PROJECTION
IF IN DOUBT, ASK



NOTES

1. PART No. BREAKDOWN EXAMPLE:- DEUTSCH ASHD024-34220SN-025

- SERIES PREFIX
- SHELL STYLE
- SHELL SIZE
- POWER CONTACT CRIMP BUCKET SIZE
- SHELL KEYING: N, A, B, C, D or E
- CONTACT TYPE: P=PIN, S=SOCKET
- INSERT ARRANGEMENT - 3 x SIZE 4 CONTACTS
- 2 x SIZE 20 CONTACTS

2. CONTACT CAVITY IDENTIFICATION, PIN CLOCKWISE, SOCKET ANTI-CLOCKWISE.

KEY ORIENTATION					
	A	B	C	D	N
B° ± 1°	80	69	121	110	95

ISSUE	CHANGE NOTE	DRAWN	CHECKED	APP. ENG.	APP. MARKETING	DATE
A	62776	NDL	BJJ	KJF	PW	30/07/13

MATERIAL	
HEAT TREATMENT & FINISH	
PACKAGING	
APP. I.E.D	
SCALE	2:1

THE COPYRIGHT OF THIS DRAWING IS RESERVED BY DEUTSCH UK. IT IS ISSUED ON CONDITION THAT IT IS NOT COPIED, REPRODUCED OR DISCLOSED TO A THIRD PARTY EITHER WHOLLY OR IN PART WITHOUT THE CONSENT IN WRITING OF DEUTSCH UK.

TITLE
ASHD RECEPT ASSY
34220 PLANFORM
ENVELOPE DETAILS

DEUTSCH
ST LEONARDS ON SEA, EAST SUSSEX, TN38 9RF
TEL. +44 (0)1424 852721

DRAWING NUMBER
611745-ENV