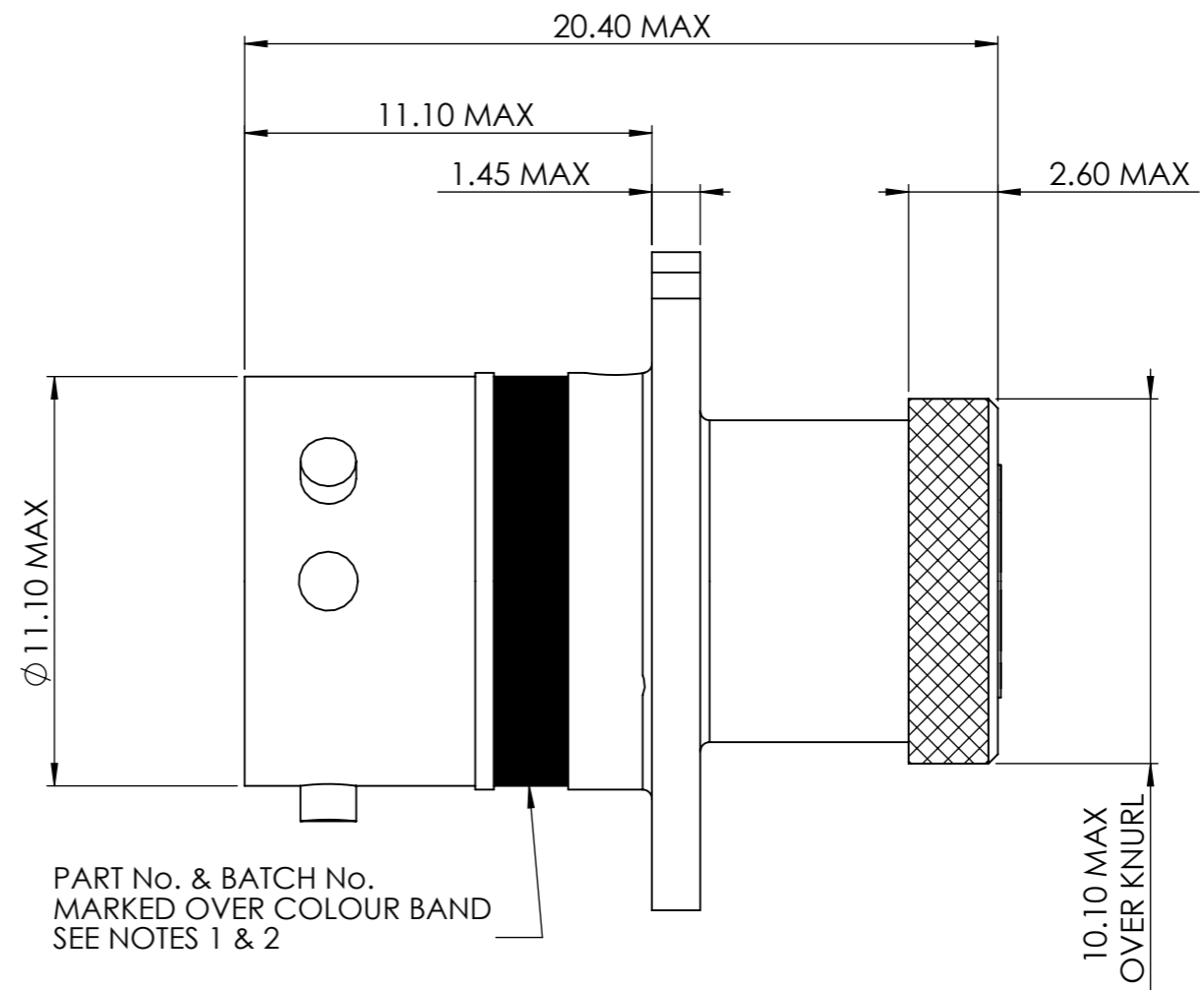
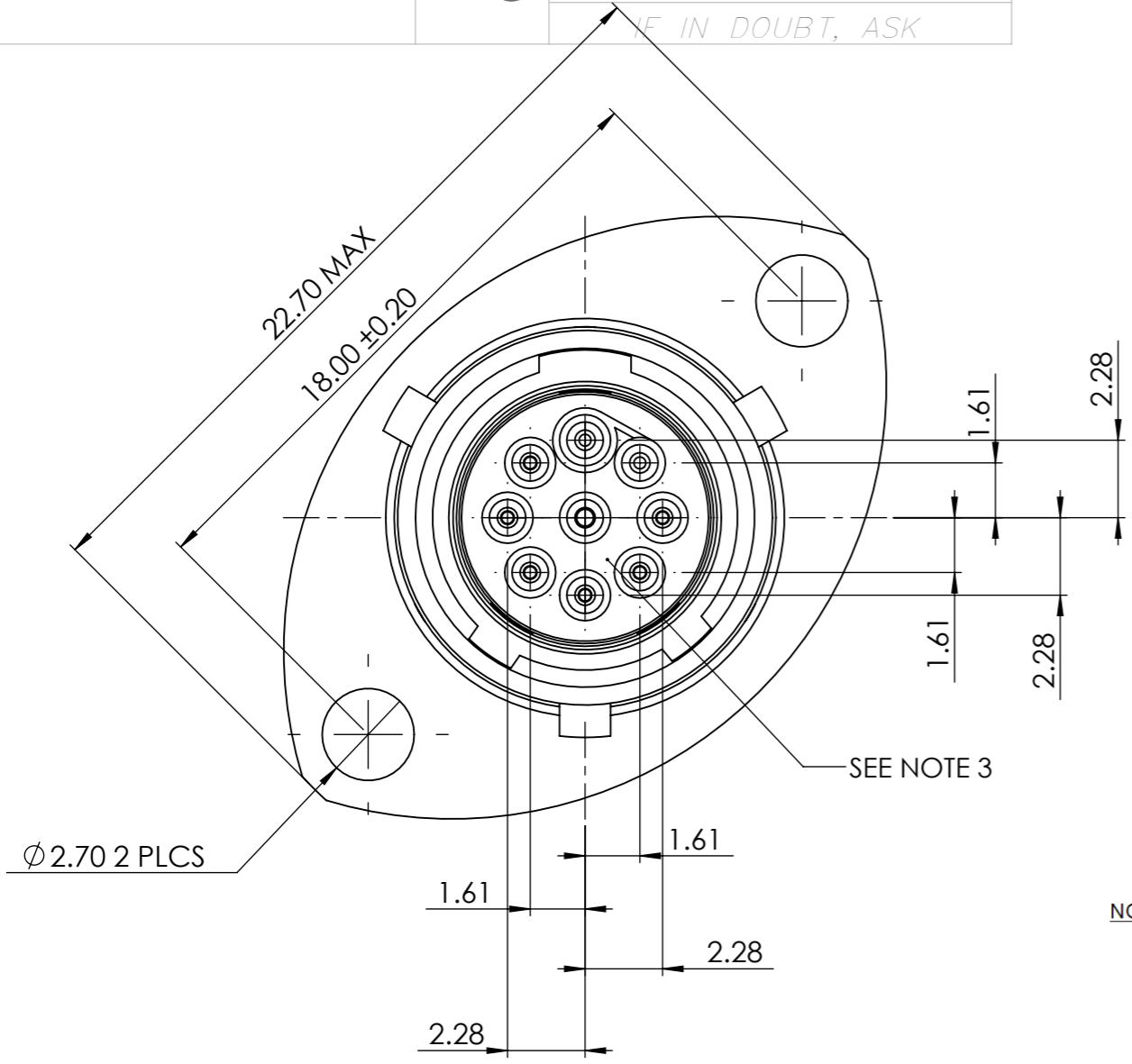
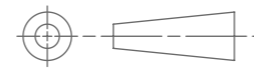


DRAWING NUMBER

605911-ENV

A3

BS 8888
THIRD ANGLE
PROJECTION
IF IN DOUBT, ASK

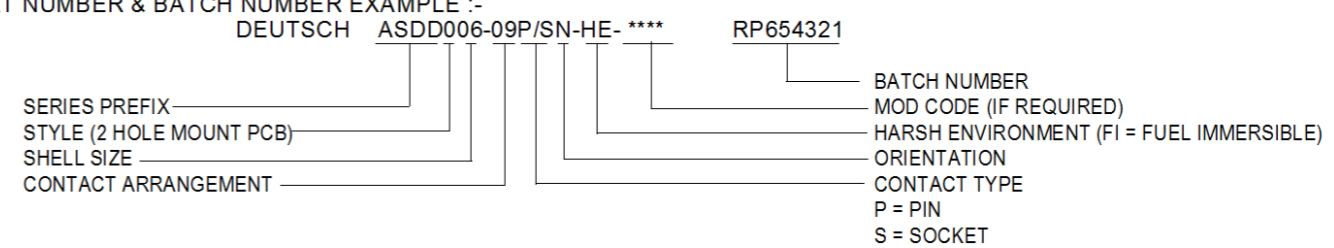


PART No. & BATCH No.
MARKED OVER COLOUR BAND
SEE NOTES 1 & 2

NOTES

- CONNECTOR ORIENTATION IDENTIFIED BY COLOUR BAND COLOUR APPLIED. AS BELOW.
 N ORIENTATION - RED D ORIENTATION - GREEN
 A ORIENTATION - YELLOW E ORIENTATION - GREY
 B ORIENTATION - BLUE
 C ORIENTATION - ORANGE

- PART NUMBER & BATCH NUMBER EXAMPLE :-



- VIEW SHOWN IS PIN VERSION. CAVITY IDENTIFICATION FOR SOCKET VERSION RUNS IN OPPOSITE DIRECTION (i.e. ANTI-CLOCKWISE)

A	63442	NDL	RBC	NDL	MD	13/02/14
ISSUE	CHANGE NOTE	DRAWN	CHECKED	APP. ENG.	APP. B.U.	DATE

MATERIAL	
HEAT TREATMENT & FINISH	
PACKAGING	
APP. I.E.D	
SCALE	5:1

© THE COPYRIGHT OF THIS DRAWING IS RESERVED BY DEUTSCH UK. IT IS ISSUED ON CONDITION THAT IT IS NOT COPIED, REPRODUCED OR DISCLOSED TO A THIRD PARTY EITHER WHOLLY OR IN PART WITHOUT THE CONSENT IN WRITING OF DEUTSCH UK.

TITLE
RECEPT ASSEMBLY
ASDD 9 WAY. TYPE 0.
ENVELOPE DETAILS

DEUTSCH 

ST LEONARDS ON SEA, EAST SUSSEX, TN38 9RF
TEL. +44 (0)1424 852721

DRAWING NUMBER
605911-ENV