

DRAWING NUMBER

605661-ENV

A3

BS 308  
 THIRD ANGLE PROJECTION  
 IF IN DOUBT, ASK

**SPECIFICATIONS**

1. MATERIALS:

- ALUMINIUM ALLOY SHELL WITH BLACK ZINC PLATING.
- GOLD PLATED COPPER ALLOY CONTACT.
- RESILIENT THERMOPLASTIC INSULATORS.
- FLOURINATED SILICONE INTERFACIAL SEAL.

2. CONTACT CRIMP BARREL TO MATCH CABLE SIZES:  
 16mm<sup>2</sup>, 25mm<sup>2</sup> AND 35mm<sup>2</sup>.

3. SERVICE RATING AT STANDARD TEMPERATURE AND PRESSURE.

- CONTINUOUS CURRENT = 125A.
- 150A FOR UP TO 4 HOURS.
- UP TO 3 MINUTES AT 200A. (DEPENDANT UPON AMBIENT TEMPERATURE. REFER TO FACTORY).

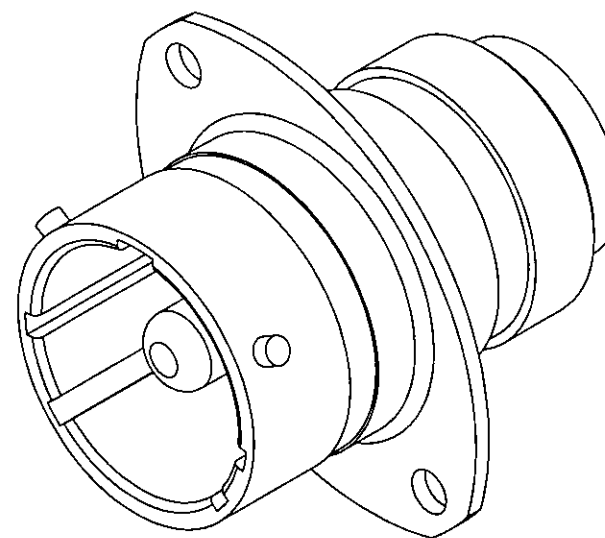
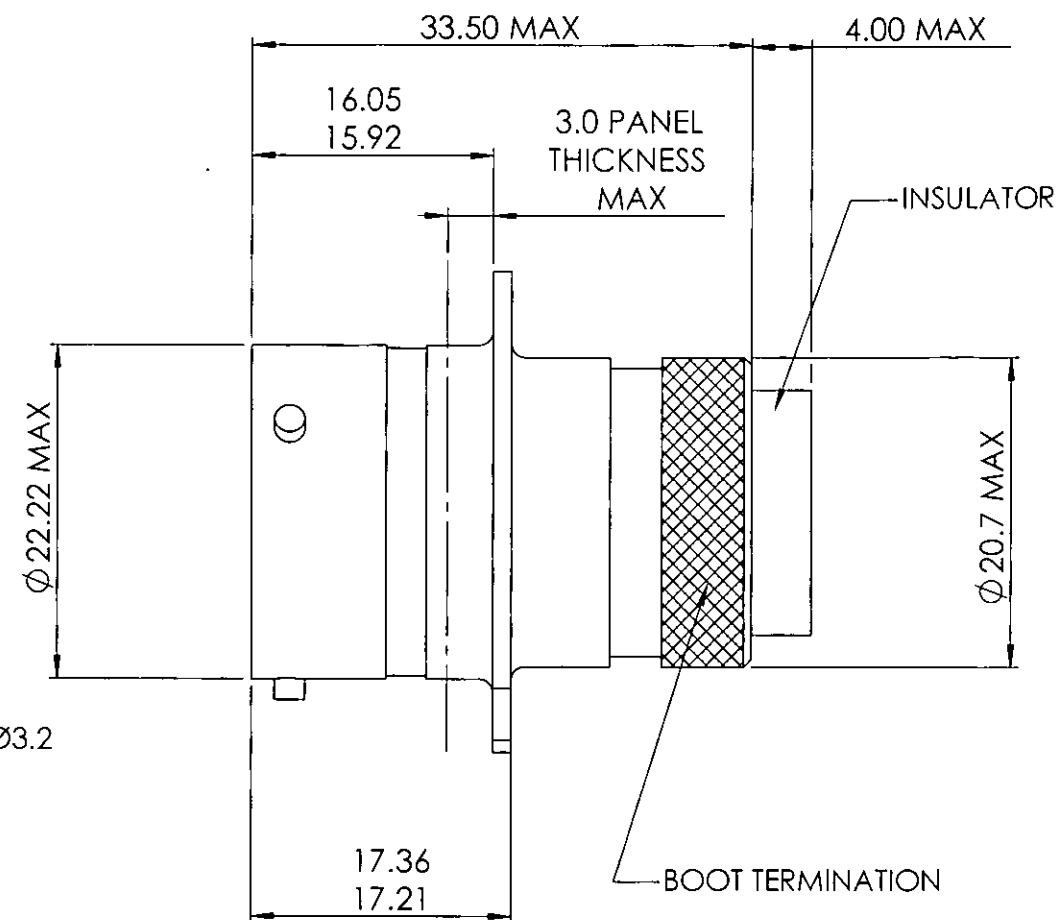
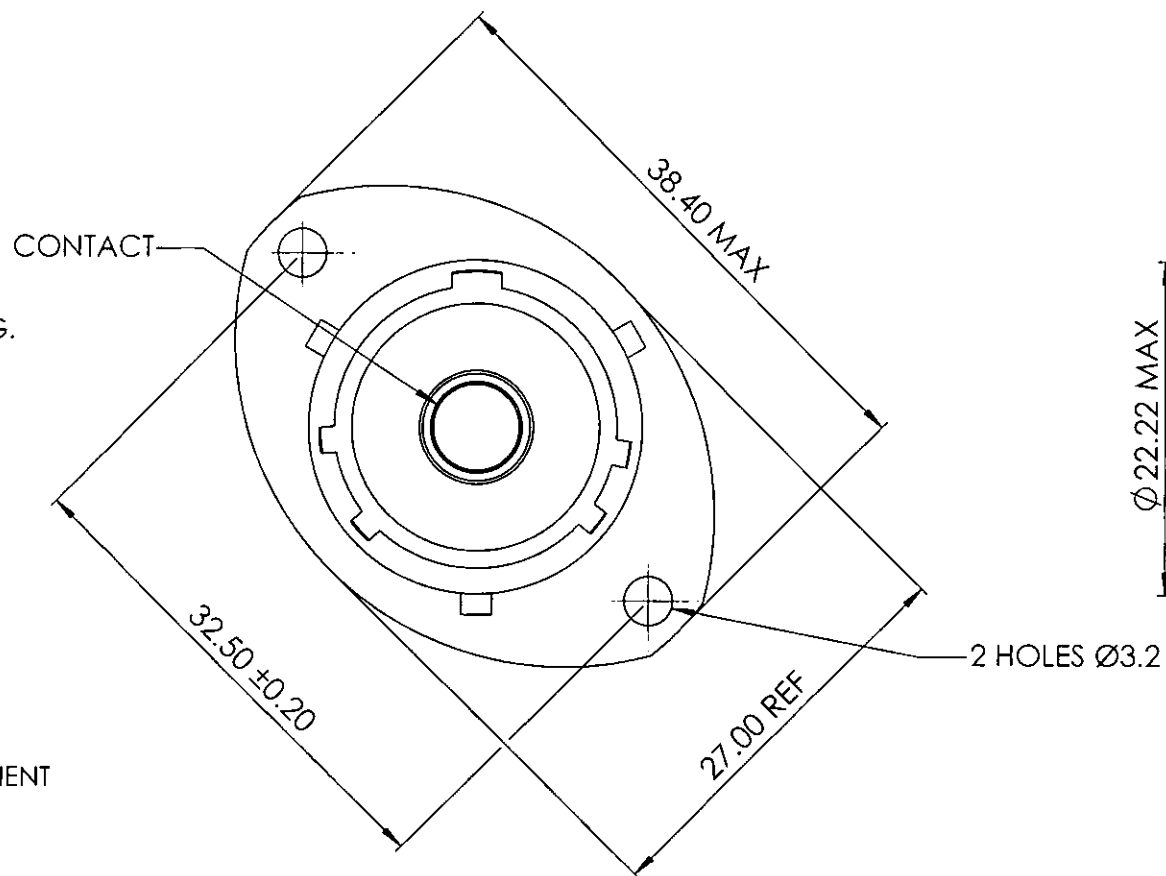
SERVICE RATINGS ARE DEPENDANT ON ENVIRONMENTAL CONDITIONS. AT ELEVATED ENVIRONMENTAL TEMPERATURES DERATING OF THE ABOVE FIGURES WILL BE REQUIRED.

4. TEMPERATURE RATING -55°C TO 175°C. THE UPPER LIMIT IS THE MAXIMUM TEMPERATURE RESULTING FROM A COMBINATION OF AMBIENT TEMPERATURE AND HEATING DUE TO CURRENT.

5. DATE CODE AND PART NUMBER:

605661-14PN-25 RP\*\*\*\*\*

BASIC NUMBER	605661	BATCH NUMBER	RP*****
SHELL SIZE	14	CRIMP BARREL SIZE	25
CONTACT: P = PIN	PN	KEYWAY ORIENTATION	



							MATERIAL SEE NOTES	© THE COPYRIGHT OF THIS DRAWING IS RESERVED BY DEUTSCH LTD. IT IS ISSUED ON CONDITION THAT IT IS NOT COPIED, REPRODUCED OR DISCLOSED TO A THIRD PARTY EITHER WHOLLY OR IN PART WITHOUT THE CONSENT IN WRITING OF DEUTSCH LTD.	GENERAL TOLERANCES UNLESS OTHERWISE STATED. ±0.4mm ON WHOLE NUMBERS ±0.2mm ON ONE PLACE DECIMALS ±0.1mm ON TWO PLACE DECIMALS ±1/2° ON ANGLES ±0.05mm ON DRILLED HOLES ALL DIAMETERS $\text{Ⓢ} \text{Ⓢ} 0.10$ REMOVE ALL BURRS AND SHARP EDGES 0.1 MAX. UNLESS OTHERWISE STATED. DIMENSIONS IN MILLIMETRES UNLESS OTHERWISE STATED	 ST LEONARDS ON SEA, EAST SUSSEX, TN38 9RF TEL. +44 (0)1424 852721	
							HEAT TREATMENT & FINISH SEE NOTES			TITLE RECEPTACLE SINGLE POLE HIGH POWER AUTOSPORT CONNECTOR	DRAWING NUMBER 605661-ENV
A	043860	KLD	<i>[Signature]</i>	<i>[Signature]</i>	17/11/03	PACKAGING	SCALE 2:1				
ISSUE	CHANGE NOTE	DRAWN	CHECKED	APP. ENG.	APP. B.U.	DATE	APP. I.E.D.				