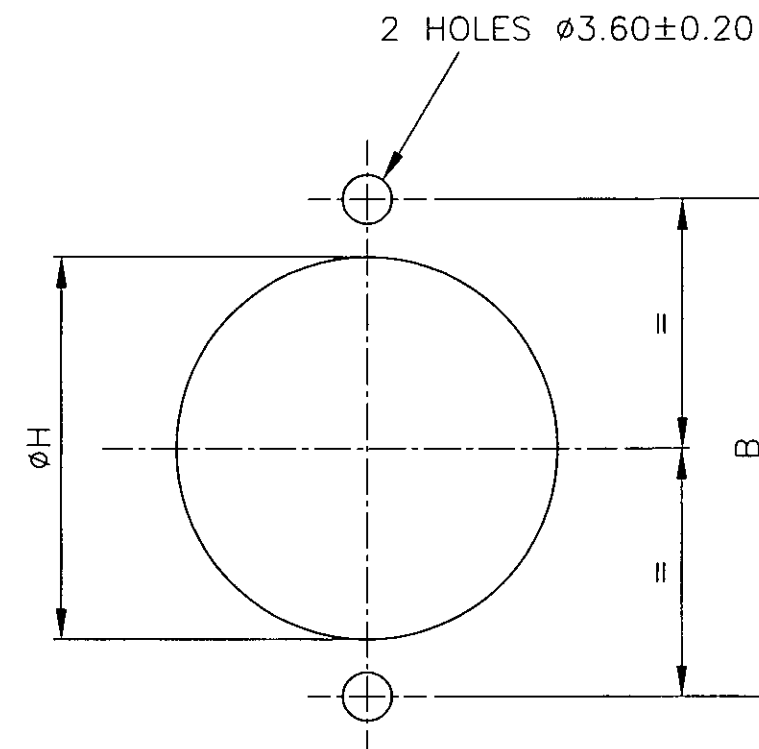
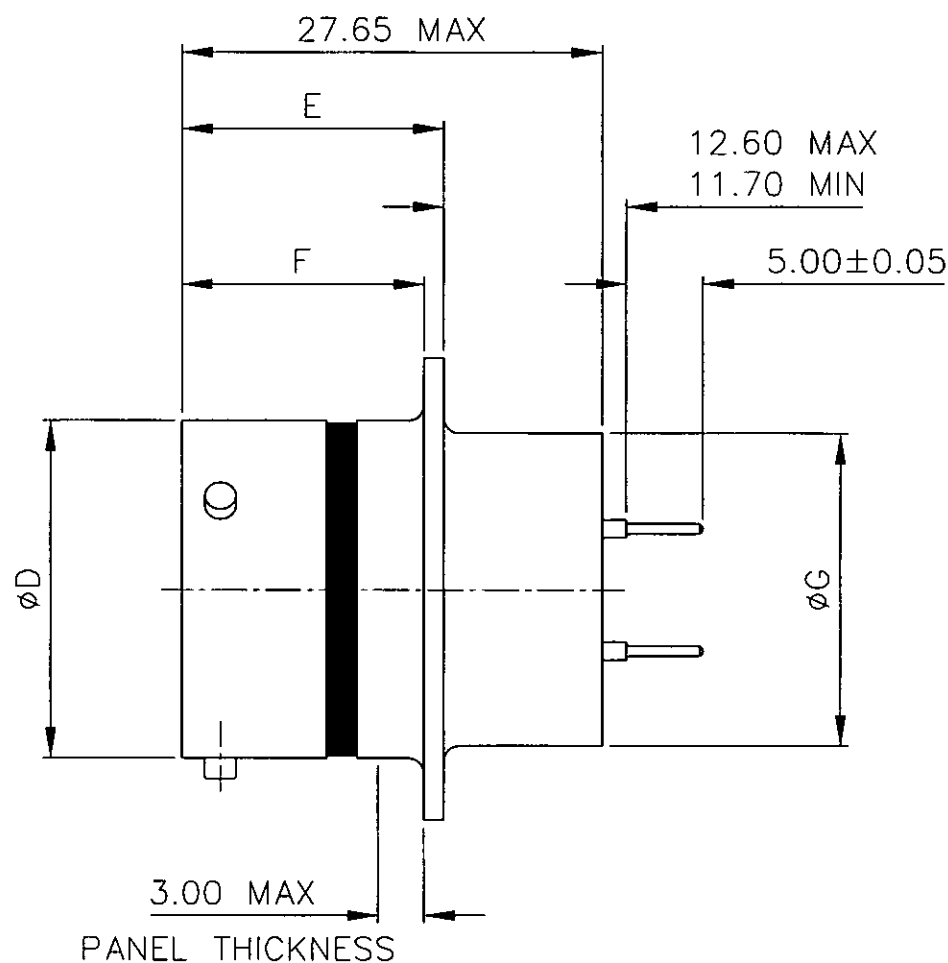
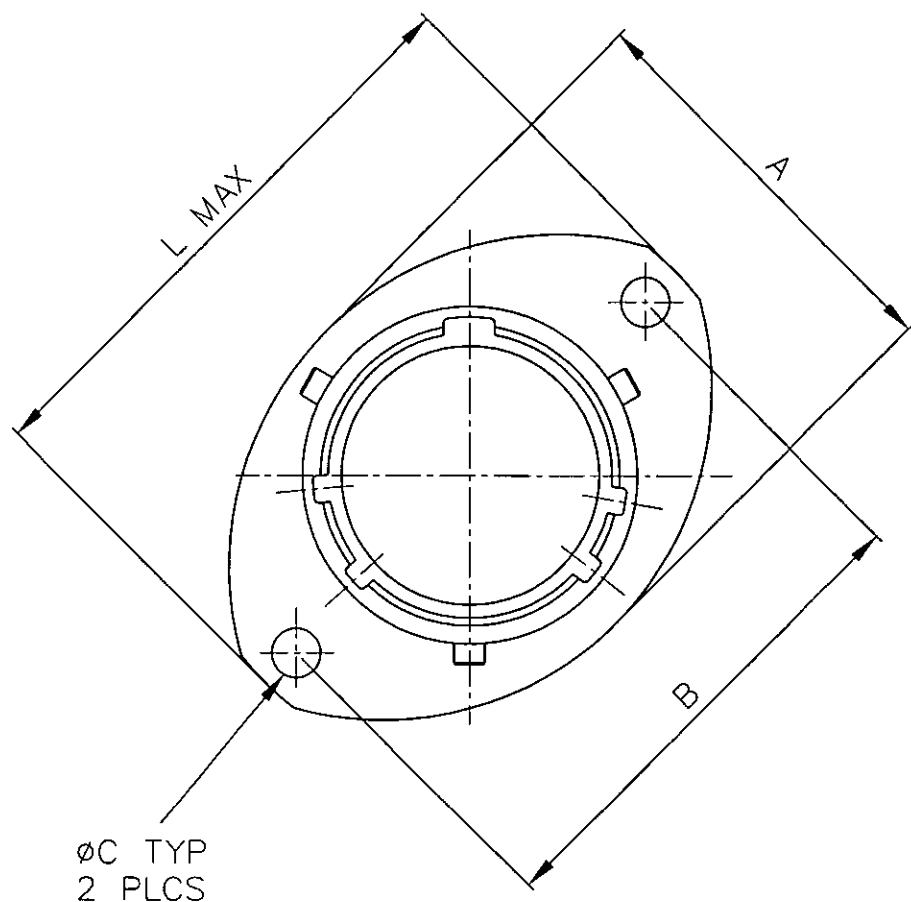
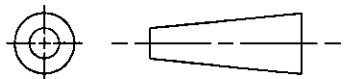


DRAWING NUMBER

605496-ENV

A3

BS 308  
THIRD ANGLE PROJECTION

SHELL SIZE	A REF	B ±0.20	C +0.10 -0.00	D +0.00 -0.13	E +0.15 -0.00	F +0.00 -0.13	ØG MAX	ØH ±0.10	L MAX
8	16.50	21.40	3.20	12.00	17.21	16.05	11.10	14.50	27.20
10	19.50	25.90	3.20	15.00	17.21	16.05	14.27	17.40	32.00
12	24.00	29.10	3.20	19.05	17.21	16.05	17.44	21.90	35.20
14	27.00	32.50	3.20	22.22	17.21	16.05	20.60	25.00	38.40
16	30.30	34.80	3.20	25.40	17.21	16.05	23.77	28.20	41.00
18	33.70	38.20	3.20	28.57	17.21	16.05	26.94	31.40	44.70
20	37.00	41.60	3.20	31.75	17.21	15.29	30.11	34.60	47.90
22	40.00	44.95	3.20	34.90	17.21	15.29	33.29	37.75	51.10
24	43.30	49.35	3.70	38.10	17.21	15.29	36.46	40.90	55.80

PART NUMBER BREAKDOWN &amp; DATE CODE EXAMPLE:-

AS2\*\*--\*\*P/S\*-943B RP654321

SERIES PREFIX

STYLE

SHELL SIZE

BATCH NUMBER

MODIFICATION CODE

KEYWAY ORIENTATION

CONTACT TYPE - P=PIN S=SOCKET

CONTACT ARRANGEMENT

MATERIAL

HEAT TREATMENT &amp; FINISH

A 044241 NDL *in* *RF* *W* 04/03/04

ISSUE CHANGE NOTE DRAWN CHECKED APP. ENG. APP. B.U. DATE

APP. I.E.D.

© THE COPYRIGHT OF THIS DRAWING IS RESERVED BY DEUTSCH LTD. IT IS ISSUED ON CONDITION THAT IT IS NOT COPIED, REPRODUCED OR DISCLOSED TO A THIRD PARTY EITHER WHOLLY OR IN PART WITHOUT THE CONSENT IN WRITING OF DEUTSCH LTD.

SCALE

N/A

GENERAL TOLERANCES UNLESS OTHERWISE STATED.

±0.4mm ON WHOLE NUMBERS  
±0.2mm ON ONE PLACE DECIMALS  
±0.1mm ON TWO PLACE DECIMALS  
±1/2° ON ANGLES  
±0.05mm ON DRILLED HOLES

REMOVE ALL BURRS AND SHARP EDGES 0.1 MAX. UNLESS OTHERWISE STATED.

DIMS. IN MILLIMETRES



# DEUTSCH

LTD

ST LEONARDS-ON-SEA, EAST SUSSEX, TN38 9RF, TEL:(01424)852721

TITLE  
BOX MOUNTING RECEPT.  
TYPE 2. 943B MOD.  
ENVELOPE DETAILS

DRAWING NUMBER

605496-ENV