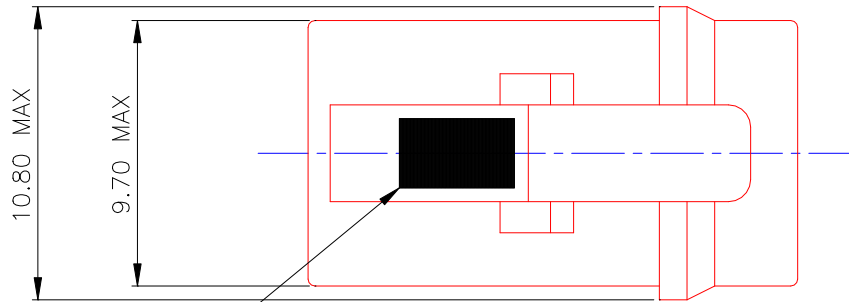
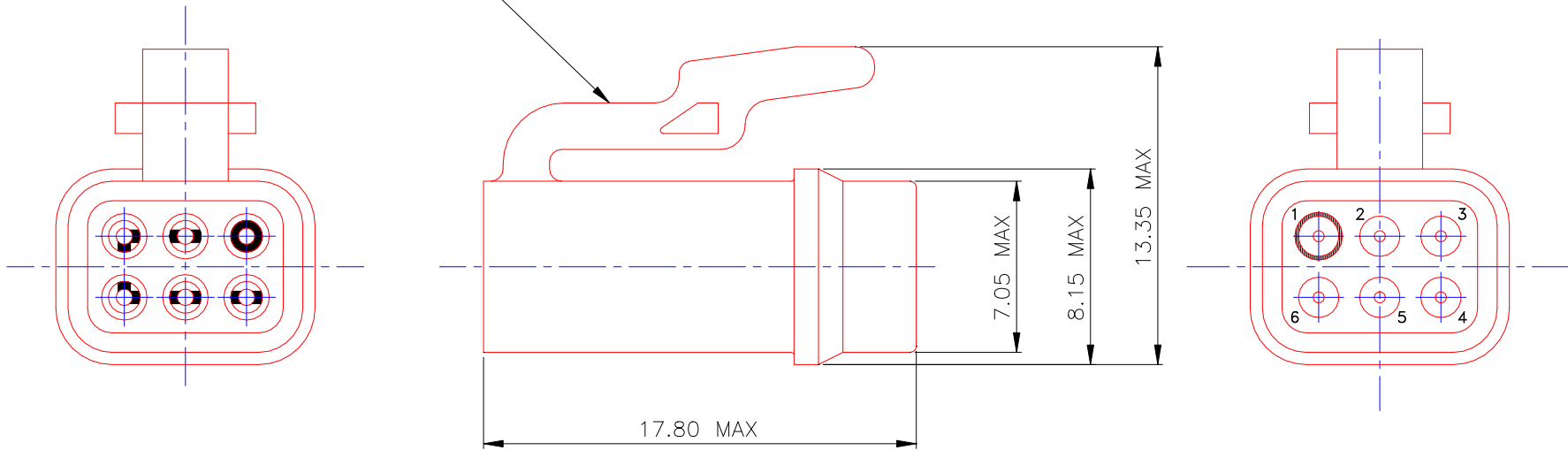


KEY	COLOUR MARKING	PART NUMBER
N	RED	ASC605-06PN
A	YELLOW	ASC605-06PA
B	BLUE	ASC605-06PB
C	ORANGE	ASC605-06PC
D	GREEN	ASC605-06PD
E	GREY	ASC605-06PE



COLOUR MARKING  
(SEE TABLE)



MATERIAL

-----  
-----

HEAT TREATMENT & FINISH

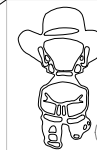
-----  
-----

© THE COPYRIGHT OF THIS DRAWING IS RESERVED BY DEUTSCH LTD. IT IS ISSUED ON CONDITION THAT IT IS NOT COPIED, REPRODUCED OR DISCLOSED TO A THIRD PARTY EITHER WHOLLY OR IN PART WITHOUT THE CONSENT IN WRITING OF DEUTSCH LTD.

GENERAL TOLERANCES UNLESS OTHERWISE STATED.

±0.4mm ON WHOLE NUMBERS  
±0.2mm ON ONE PLACE DECIMALS  
±0.1mm ON TWO PLACE DECIMALS  
±1/2° ON ANGLES  
±0.05mm ON DRILLED HOLES

REMOVE ALL BURRS AND SHARP EDGES 0.1 MAX. UNLESS OTHERWISE STATED.



DEUTSCH  
LTD

® EAST GRINSTEAD, WEST SUSSEX, RH19 1RW TEL:- (01342) 410033

TITLE  
ASC PLUG ASSEMBLY  
ENVELOPE DETAILS

DRAWING NUMBER

604955-ENV

ISSUE	CHANGE NOTE	DRAWN	CHECKED	APP. ENG.	DATE
A	60804	NDL	PDH	IKG	15/11/11

APP. MARKT. IKG

SCALE NTS

DIMS. IN MILLIMETRES