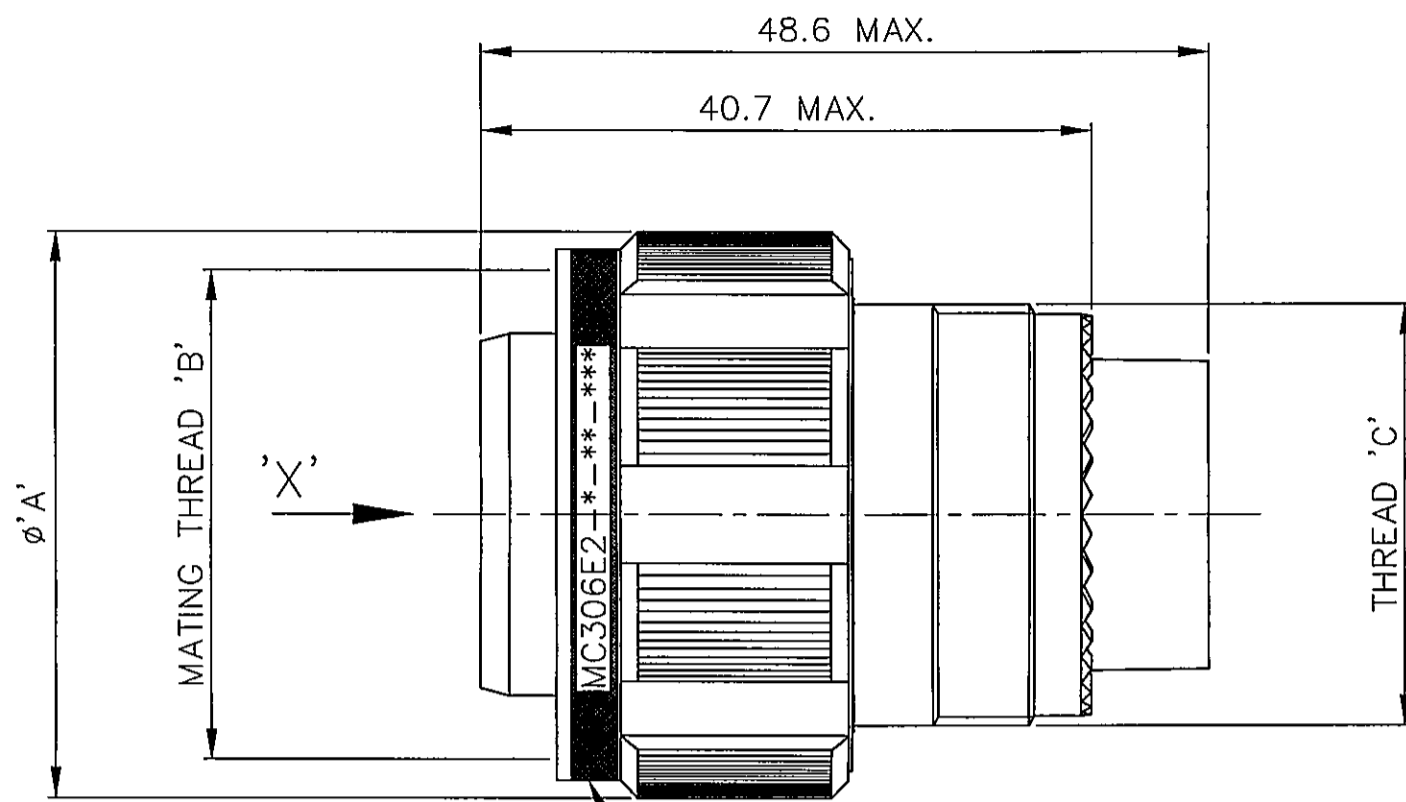
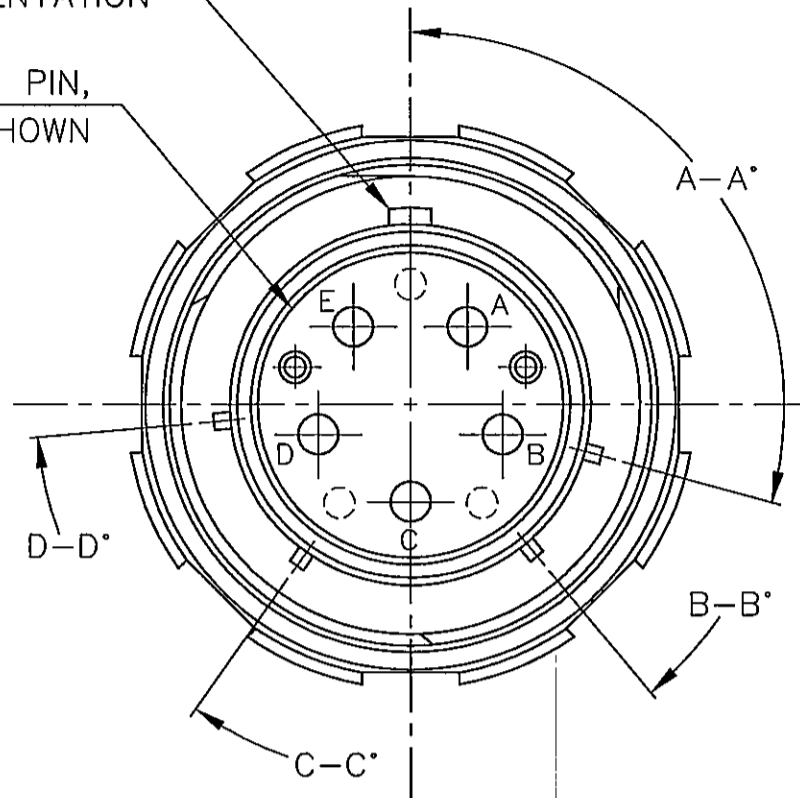


SEE DETAIL 'Z' FOR UNIVERSAL ORIENTATION

SIZE 19-5, PIN, ARRANGEMENT SHOWN

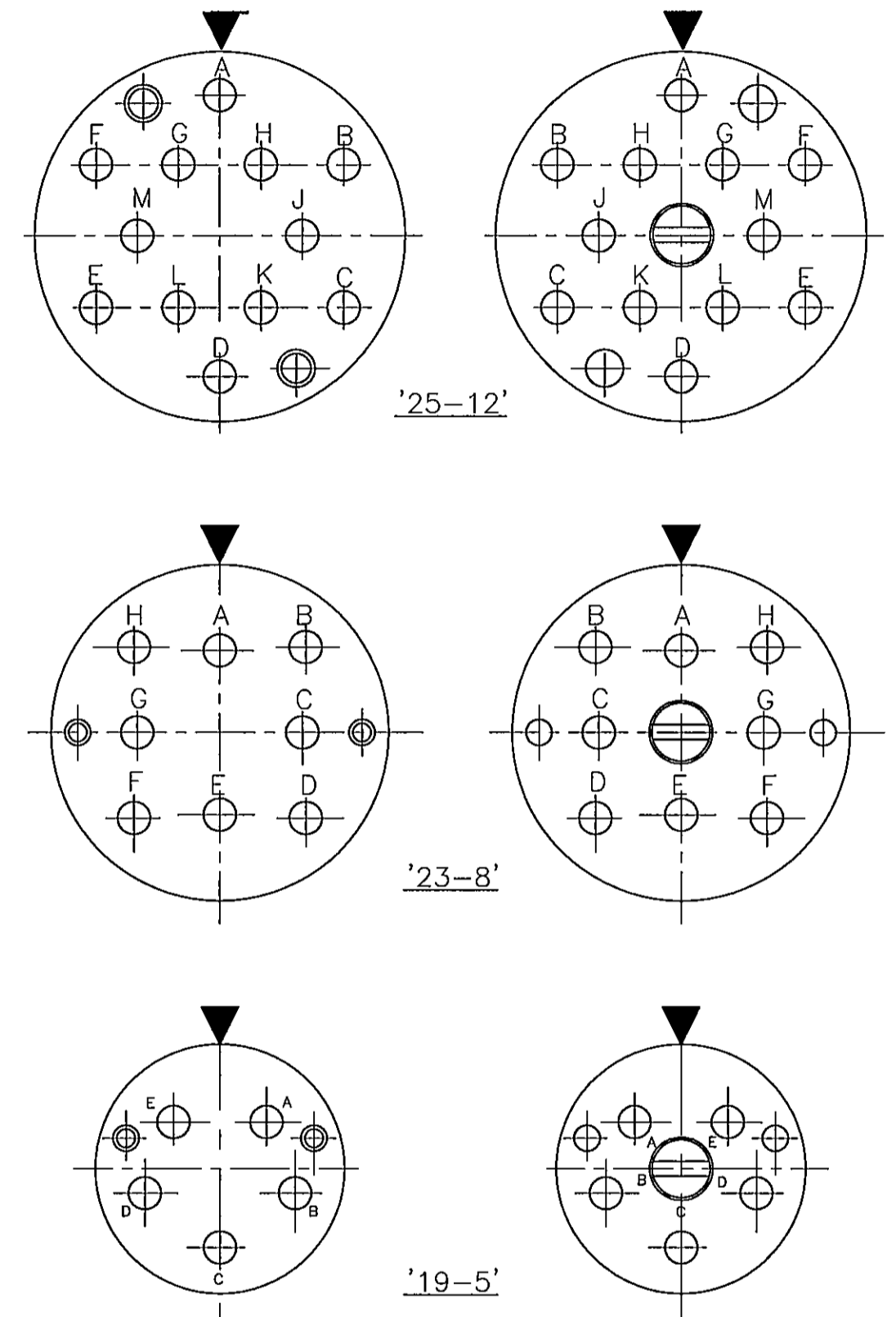


PART NUMBER MARKED ON TOP OF BLUE COLOUR BAND. BLUE BAND INDICATES REAR RELEASE CONTACTS.

INSERT ARRANGEMENTS SHOWING CAVITY IDENTIFIERS FOR PIN INSERTS

INSERT ARRANGEMENTS SHOWING CAVITY IDENTIFIERS FOR SOCKET INSERTS

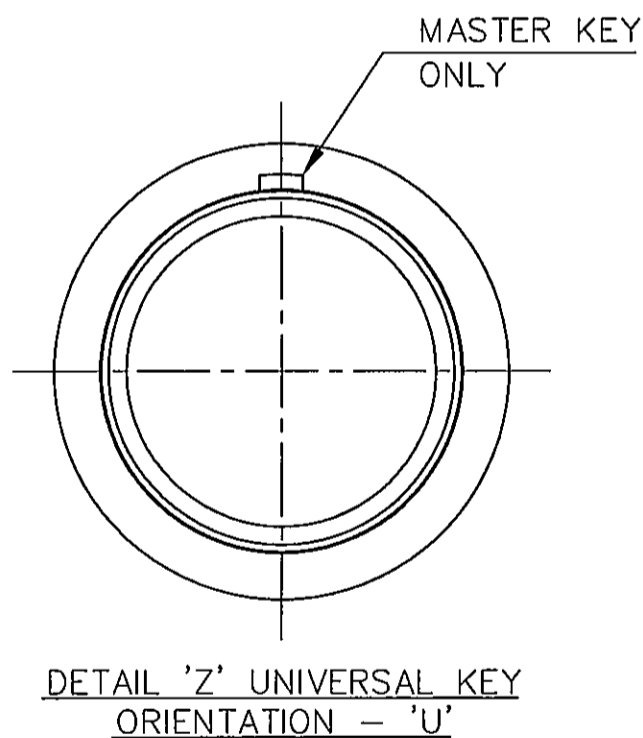
VIEW IN DIRECTION 'X'



NOTES:

- CONNECTORS ARE SUPPLIED WITHOUT OPTICAL CONTACTS WHICH ARE ORDERED SEPARATELY.
- EXAMPLE OF PART NO:- MC306E2-*-*-*-*
 BASIC IDENTIFIER MC3/2 PLUG
 FINISH (N=NICKEL, C=CADMIUM OLIVE DRAB)
 KEY ORIENTATION (N,A,B,C,E,F&U)
 INSERT STYLE (P=PIN, S=SOCKET)
 SHELL SIZE-NO. OF CHANNELS (19-5, 23-8, 25-12)
- CONNECTOR IS SUPPLIED WITH A SIZE 12 INSERTION/EXTRACTION TOOL.

SHELL SIZE - NO. CHANNELS	ø'A' MAX.	THREAD 'B' - STUB 60° MOD. TRI-START (DIMS IN INCHES)	THREAD 'C'
19-5	38.0	ø1.250	M28X1.0
23-8	44.2	ø1.500	M34X1.0
25-14	47.5	ø1.625	M37X1.0



SHELL SIZE 19								SHELL SIZE 23								SHELL SIZE 25							
ANGLE	ORIENTATION							ANGLE	ORIENTATION							ANGLE	ORIENTATION						
	N	A	B	C	E	F	U		N	A	B	C	E	F	U		N	A	B	C	E	F	U
A-A*	105	100	95	115	75	120	-	A-A*	105	101	97	113	75	120	-	A-A*	105	101	97	113	75	120	-
B-B*	140	135	130	150	105	170	-	B-B*	140	136	132	148	105	170	-	B-B*	140	136	132	148	105	170	-
C-C*	215	210	205	225	205	245	-	C-C*	215	211	207	223	205	245	-	C-C*	215	211	207	223	205	245	-
D-D*	265	260	255	275	235	280	-	D-D*	265	261	257	273	235	280	-	D-D*	265	261	257	273	235	280	-

ISSUE	CHANGE NOTE	DRAWN	CHECKED	APP. ENG.	DATE	ISSUE	CHANGE NOTE	DRAWN	CHECKED	APP. ENG.	DATE	APP. IED.
B	040443	GLB	SB	OB	30/07/01							
A	033621	AVS	MCW	KRM	15/05/97							

MATERIAL

HEAT TREATMENT & FINISH

© THE COPYRIGHT OF THIS DRAWING IS RESERVED BY DEUTSCH LTD. IT IS ISSUED ON CONDITION THAT IT IS NOT COPIED, REPRODUCED OR DISCLOSED TO A THIRD PARTY EITHER WHOLLY OR IN PART WITHOUT THE CONSENT IN WRITING OF DEUTSCH LTD.

GENERAL TOLERANCES UNLESS OTHERWISE STATED:
 ±0.4mm ON WHOLE NUMBERS
 ±0.2mm ON ONE PLACE DECIMALS
 ±0.1mm ON TWO PLACE DECIMALS
 ±1/2° ON ANGLES
 ±0.05mm ON DRILLED HOLES

REMOVE ALL BURRS AND SHARP EDGES 0.1 MAX. UNLESS OTHERWISE STATED.

BS 308 THIRD ANGLE PROJECTION

SCALE 2:1

DIMS. IN MILLIMETRES

DEUTSCH LTD

EAST GRINSTEAD, WEST SUSSEX, RH19 1RW TEL:- (01342) 410033

TITLE: FREE PLUG ASSEMBLY PIN MC3/2

DRAWING NUMBER: 455548-ENV