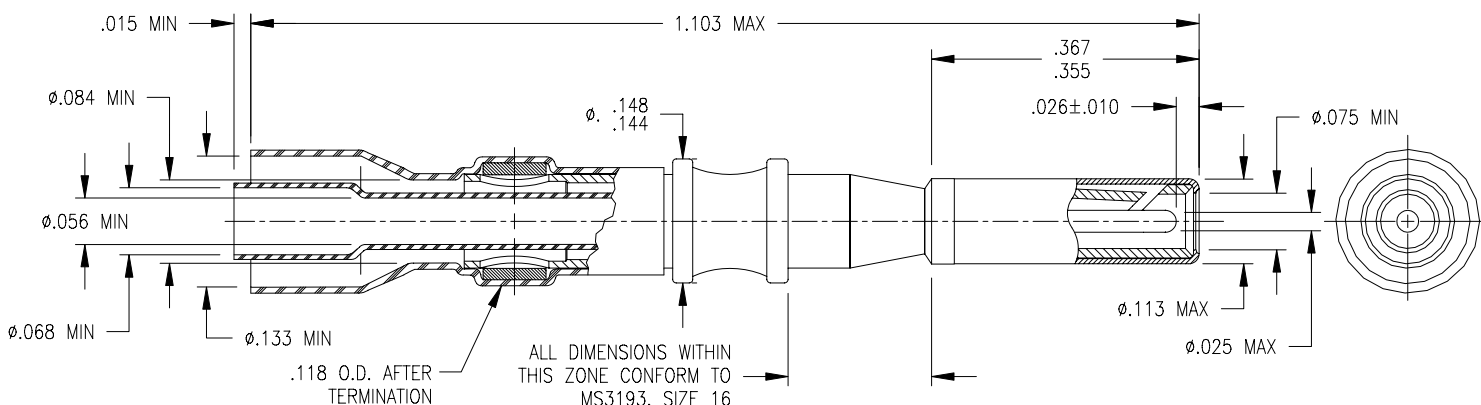




THIS DRAWING AND THE INFORMATION SET FORTH HEREON ARE THE PROPERTY OF TYCO ELECTRONICS CORPORATION, AND ARE TO BE HELD IN TRUST AND CONFIDENCE. PUBLICATION, DUPLICATION, DISCLOSURE, OR USE FOR ANY PURPOSE NOT EXPRESSLY AUTHORIZED IN WRITING BY TYCO ELECTRONICS IS PROHIBITED.

If this document is printed it becomes uncontrolled. Check for the latest revision.

REVISIONS			
LTR	DESCRIPTION	DATE	APPROVED
A	REVISED PER DCO# 01862	8/7/80	Z. TEMAN
B	REVISED PER E.O.# D-1021	11/16/80	D. MCC
C	REVISED PER DCR# D030453	10/31/03	MHIGGY



NOTES:

1. THIS CONTACT IS DESIGNED FOR USE IN MIL-C-26482, SERIES I, SIZE 16 CAVITIES.
2. THIS CONTACT IS DESIGNED TO TERMINATE A TWISTED PAIR OF 30 THRU 24 AWG CABLE. OTHER APPLICATIONS SHOULD BE SUBMITTED TO RAYCHEM FOR EVALUATION.
3. FOR TERMINATION PROCEDURE, SEE RAYCHEM SPECIFICATION ES 61138.
4. MATING CONTACT (FOR SIMILAR CABLES): D-602-56.

CONTACT CHARACTERISTICS:

MATERIALS:

1. CONTACT MEMBERS: COPPER ALLOY PER ASTM B16/B16M AND ASTM B196.
- CONTACT PLATING: GOLD PER ASTM B488 (MIL-G-45204), OVER COPPER FLASH.
2. HOOD: TYPE 304, SST PASSIVATED PER MIL-S-5002.
3. DIELECTRIC: ETFE FLUOROPOLYMER PER ASTM D3159.
4. SOLDER: SN63 PER ANSI/J-STD-006.
- FLUX: ROL1 PER ANSI/J-STD-004.
5. CABLE SUPPORT TUBING: HEAT-SHRINKABLE, RADIATION CROSS-LINKED POLYVINYLIDENE FLUORIDE.

PERFORMANCE:

- TEMPERATURE RATING: 125°C MAXIMUM
 CURRENT RATING: 3 AMPS
 VOLTAGE RATING: DIELECTRIC WITHSTANDING VOLTAGE: 900 VOLTS RMS, MAXIMUM.
 CONTACT RESISTANCE: 10 MILLIOHMS MAXIMUM (INNER)
 8 MILLIOHMS MAXIMUM (OUTER)
 INSULATION RESISTANCE: 5000 MEGAOHMS MINIMUM.
 ENGAGEMENT FORCE: OUTER SOCKET: 20.0 OZ. MAXIMUM
 SEPARATION FORCE: OUTER SOCKET: 2.0 OZ. MINIMUM

SPECIFICATION CONTROL DRAWING

UNLESS OTHERWISE SPECIFIED DIMENSIONS ARE IN INCHES. METRIC DIMENSIONS ARE IN BRACKETS.	DRAWN	MFORONDA	09.17.03	tyco Electronics	Tyco Electronics Corporation 300 Constitution Drive Menlo Park, CA. 94025 U.S.A.	Raychem	
	CHECKED						
	APPROVED	M.HIGGY	09.17.03	TITLE			
	APPROVED			SHIELDED CONTACT, SOCKET TWISTED PAIR			
DECIMALS .XXX ± _____ .XX ± _____ ANGLES _____	CAD NAME: D030453.dwg			SIZE	CODE IDENT. NO.	DWG. NO.	REV
WEIGHT ---	THIRD ANGLE PROJECTION			A	06090	D-602-57	C
				DO NOT SCALE THIS DRAWING		SHEET 1 OF 1	

