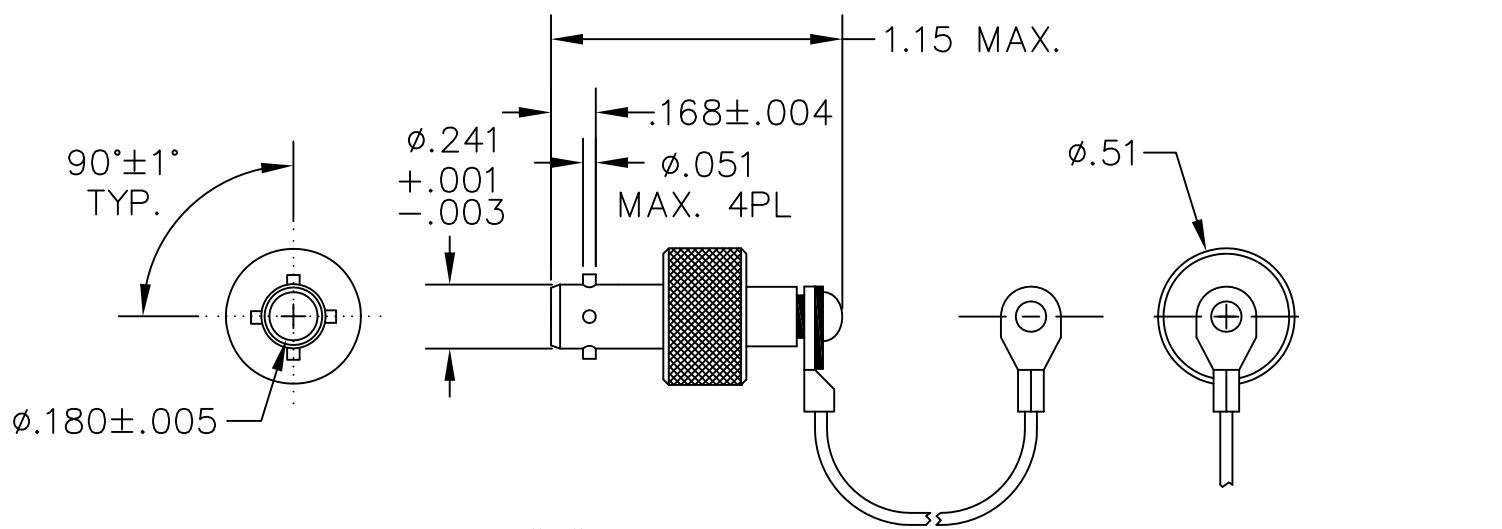
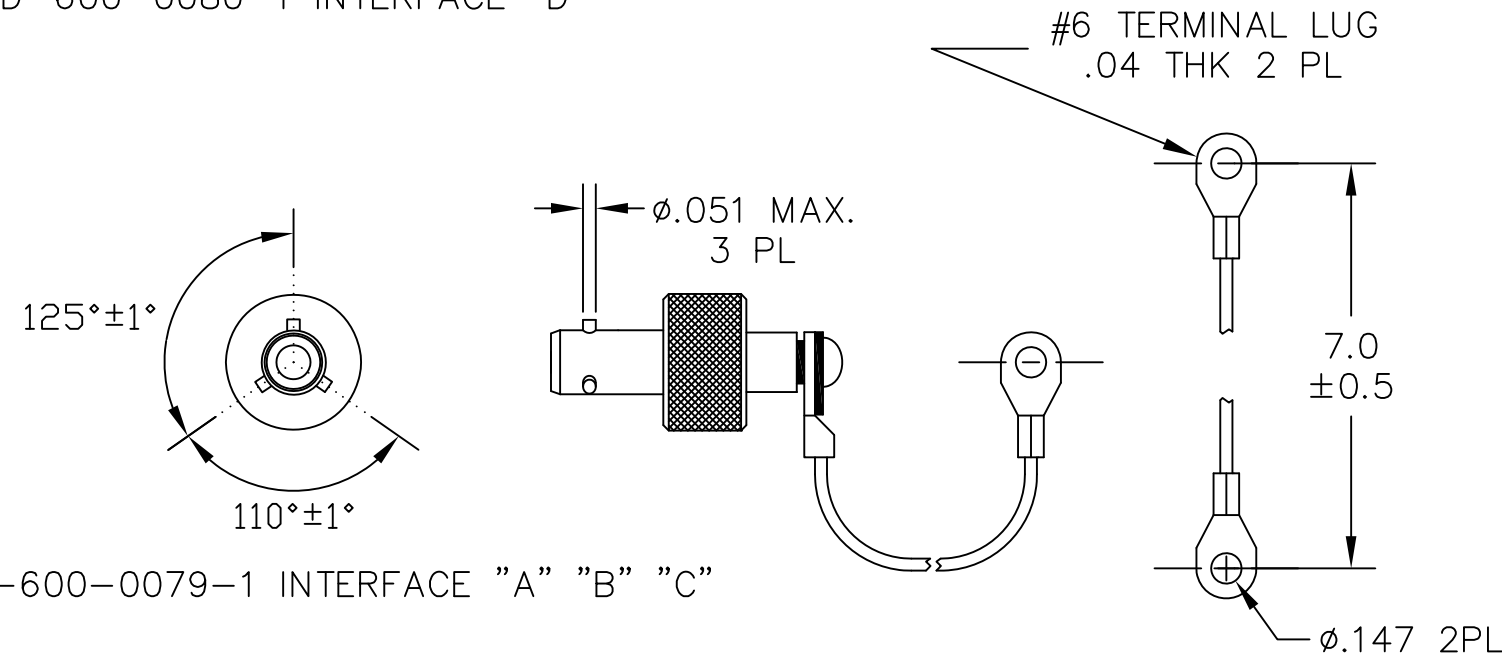


THIS DRAWING AND THE INFORMATION SET FORTH HEREON ARE THE PROPERTY OF TYCO ELECTRONICS CORPORATION AND ARE TO BE HELD IN TRUST AND CONFIDENCE. PUBLICATION, DUPLICATION, DISCLOSURE OR USE FOR ANY PURPOSE NOT EXPRESSLY AUTHORIZED IN WRITING BY TYCO ELECTRONICS CORPORATION IS PROHIBITED.

REVISION			
REV	DESCRIPTION	DATE	APPROVED
B	REVISED PER ECO-14-015267	10/08/2014	LRODRIGUEZ



D-600-0080-1 INTERFACE "D"



D-600-0079-1 INTERFACE "A" "B" "C"

1.0 MATERIALS AND FINISHES:

- 1.1 JACK BODY: BECU PER QQ-C-530C, ALLOY 173, CONDITION A OR H
NICKEL PLATED PER MIL-C-26074
- 1.2 LANYARD & DRIVE SCREW: STAINLESS STEEL, PASSIVATED PER ASTM A967

If this document is printed it becomes uncontrolled. Check for the latest revision.

Raychem Databus
CUSTOMER DRAWING

UNLESS OTHERWISE SPECIFIED DIMENSIONS ARE INCHES. METRIC DIMENSIONS ARE IN BRACKETS.	DRAWN M SALAZAR	DATE 09/30/2014		
	DECIMAL TOLERANCES .XXX ± 0.010 [--- mm] .XX ± NA [--- mm]	MATERIAL SEE NOTES		
ANGLE TOLERANCE .X ± ----	FINISH SEE NOTES	SIZE A	CAGE CODE 06090	DWG. NO. D-600-0079/0080-1
RPN SEE NOTES	THIRD ANGLE PROJECTION 	DO NOT SCALE THIS DRAWING		SHEET 1 OF 1
CAD FILE D-600-0079/0080-1				