



REVISIONS			
LTR	DESCRIPTION	DATE	APPROVED
N/C	INITIAL RELEASE PER ECN# T-17344	92JUL9	Z.E.T.

NOTES:

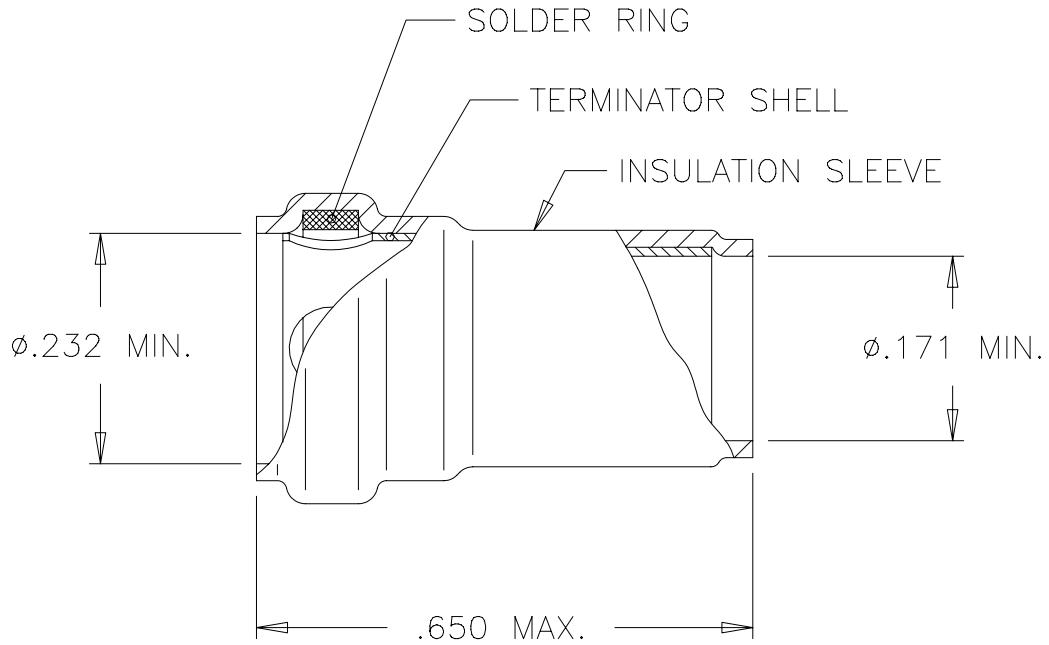
1. PART DESCRIPTION: BRAID TERMINATOR ASSEMBLY

A. MATERIAL:

1. INSULATION SLEEVE: HEAT SHRINKABLE POLYVINYLIDENE FLUORIDE
2. SOLDER RING: Sn63Pb37 PER QQ-S-571
3. TERMINATOR SHELL: BRASS ALLOY PER ASTM B16

B. FINISH:

1. TERMINATOR SHELL: SOLDER-PLATED PER MIL-P-81728A
OVER NICKEL PER QQ-N-290



SPECIFICATION CONTROL DRAWING

If this document is printed it becomes uncontrolled.
Check with the web for latest revision.

UNLESS OTHERWISE SPECIFIED DIMENSIONS ARE IN INCHES. METRIC DIMENSIONS ARE IN BRACKETS. DECIMALS .XXX ± [__mm] .XX ± [__mm] ANGLES .X ±	DRAWN J.B.K.	DATE 91 APR 10			RAYCHEM CORPORATION 300 CONSTITUTION DRIVE MENLO PARK, CALIFORNIA 94025	
	CHECKED	DATE				
	APPROVED	DATE	TITLE BRAID TERMINATOR ASSEMBLY			
	APPROVED Z.E.T.	DATE 92 JUL 9				
WEIGHT _____ lbs _____ g	CAD NAME T17344		SIZE A	CODE IDENT. NO. 06090	DWG. NO. D-600-0032	REV N/C
THIRD ANGLE PROJECTION 		SCALE: 10:1		DO NOT SCALE THIS DRAWING		SHEET 1 OF 1

