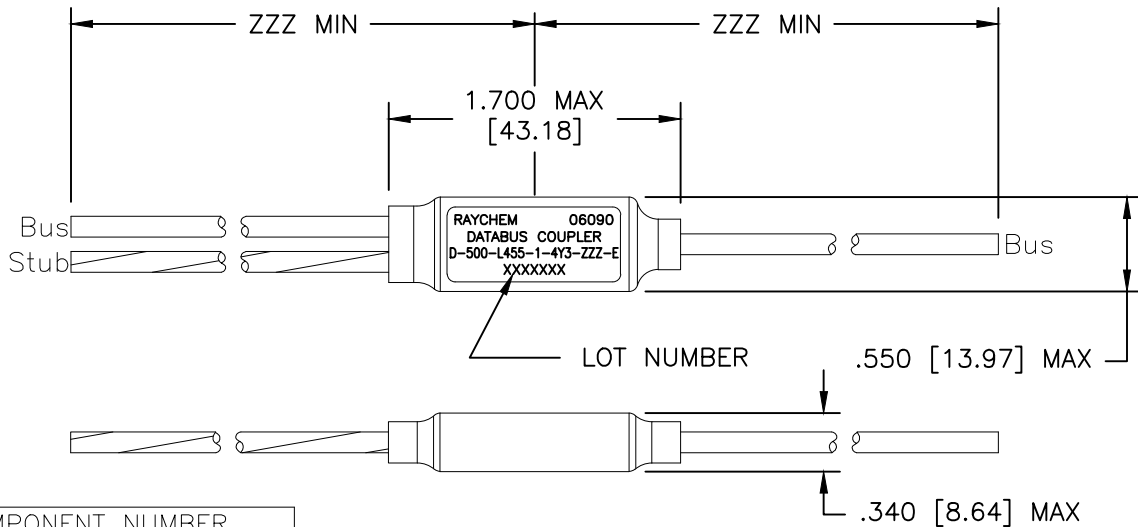


REVISION			
REV	DESCRIPTION	DATE	APPVD
A3	REINSTATED CD PER ECO-18-009860	7/03/2018	I.M.



COMPONENT NUMBER

D-500-L455-1-4Y3-ZZZ-E

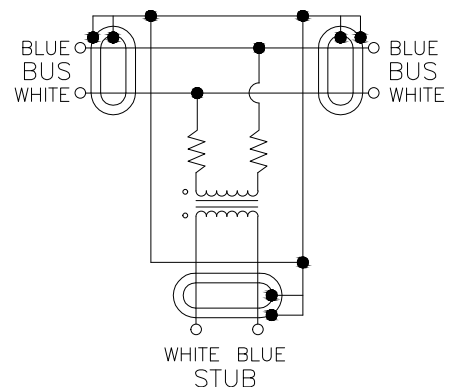
5: STANDARD CONFIGURATION

CABLE LENGTH (INCHES)

No. OF STUBS

CABLE TYPE: 7724Y3664
DOUBLE SHIELD CONSTRUCTION

SINGLE STUB COUPLER SCHEMATIC



1.0 MATERIAL AND FINISHES:

1.1 INTERNAL COMPONENTS:

- TRANSFORMER TO MIL-PRF-21038 AND MIL-STD-1553B
- RESISTORS TO MIL-PRF-39007/9, 57.6 OHMS

1.2 SHIELDED CASE: ALUMINUM PER ASTM B618 OR ASTM B211.

1.3 SEALED COVER: MODIFIED CROSS-LINKED, FLAME RETARDANT, BLACK, FLUOROPOLYMER TO RAYCHEM SPECIFICATION RT-370.

1.4 CABLE TO RAYCHEM SPECIFICATION: 1200.

2.0 APPLICATION:

2.1 THIS COUPLER IS DESIGNED TO BE INSTALLED INTO A DIGITAL MULTIPLEX ASSEMBLY MEETING THE REQUIREMENTS OF MIL-STD-1553B.

2.2 CABLE SPLICING: USE FLEXIBLE SPLICE KIT D-150-0250-RT OR D-150-0251-RT (NOT SUPPLIED)

2.3 CABLE BEND RADIUS PER SAE-AS50881 STATIC BEND: 5 x CABLE O.D. MIN.
DYNAMIC BEND: 10 x CABLE O.D. MIN.

3.0 TEMPERATURE:

3.1 OPERATING TEMPERATURE: -65°C TO +150°C

4.0 PERFORMANCE SPECIFICATIONS:

4.1 COUPLER MEETS THE PERFORMANCE REQUIREMENTS OF MIL-STD-1553B.

5.0 WEIGHT:

5.1 WEIGHT WITHOUT CABLE: 6.5g MAX

Raychem Databus CUSTOMER DRAWING
© 2017-2018 TE Connectivity Corporation. All Rights Reserved.

<p>UNLESS OTHERWISE SPECIFIED DIMENSIONS ARE INCHES. METRIC DIMENSIONS ARE IN BRACKETS.</p> <p>DECIMAL TOLERANCES</p> <p>.XXX ±--- [---mm]</p> <p>.XX ±--- [---mm]</p> <p>.X ±--- [---mm]</p> <p>ANGLE TOLERANCE</p> <p>.X ±---</p>	<p>DRAWN</p> <p>G.Rositano</p>	<p>DATE</p> <p>12/28/2016</p>	<p>TE TE Connectivity</p>
	<p>MATERIAL</p>	<p>FINISH</p>	
<p>THIRD ANGLE PROJECTION</p>	<p>SIZE</p> <p>A</p>	<p>CODE IDENT. NO.</p> <p>06090</p>	<p>DWG. NO.</p> <p>D-500-L455-1-4Y3-ZZZ-E</p>
<p>CAD FILE: D-500-L455-1-4Y3-ZZZ-E_CD</p>		<p>DO NOT SCALE THIS DRAWING</p>	
			<p>SHEET 1 OF 1</p>