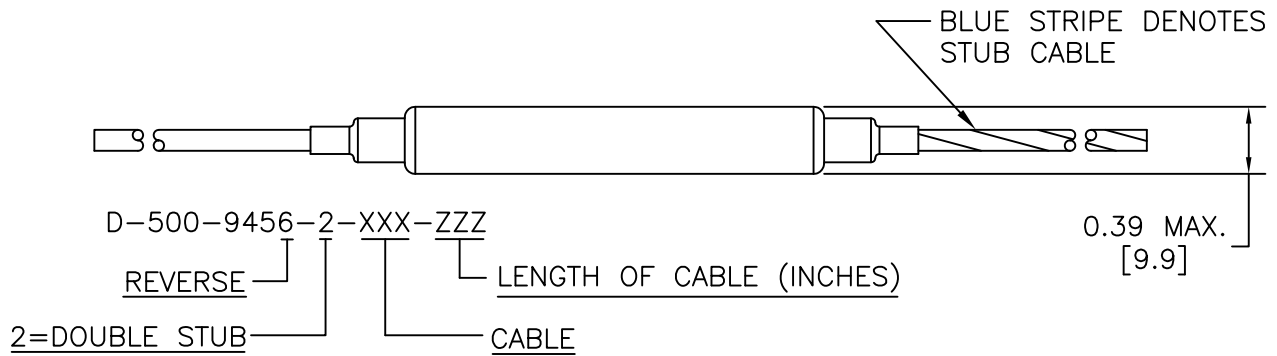
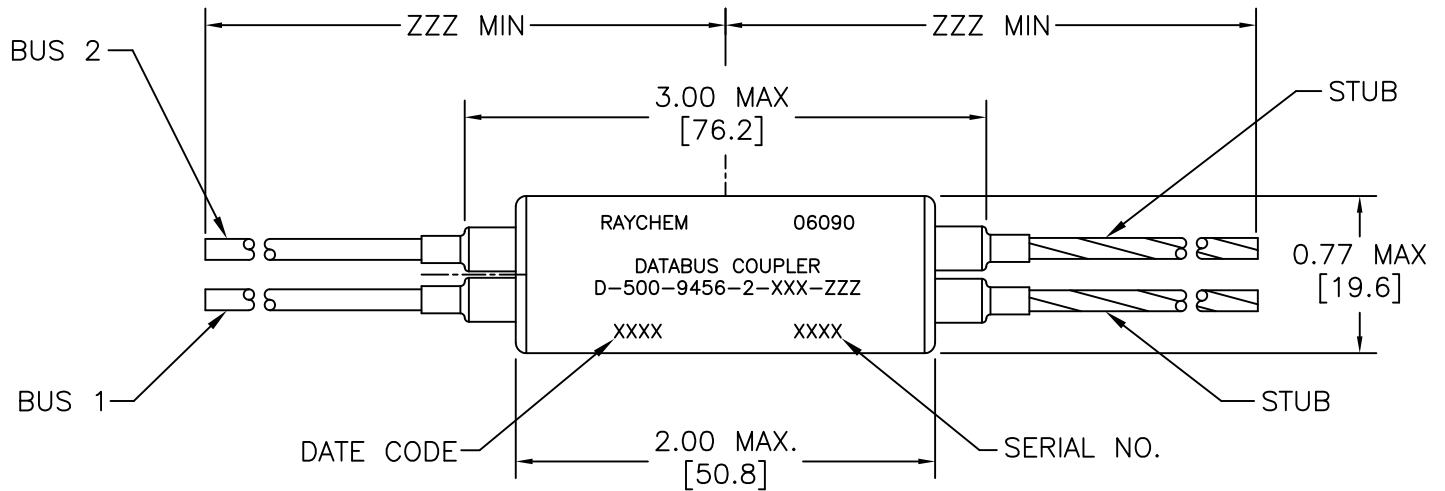


REVISION		
REV	DESCRIPTION	DATE
C	REVISED, ADDED LF CABLES PER ECR-15-007003	5/08/2015



- S16 = OPTIMIZED SINGLE SHIELD
- S36 = OPTIMIZED DOUBLE SHIELD
- S86 = EMP HARDENED
- 41L = LOW OUTGASSING SINGLE SHIELD
- 43L = LOW OUTGASSING DOUBLE SHIELD
- 48L = LOW OUTGASSING EMP HARDENED
- 60L = LOW OUTGASSING SINGLE SHIELD, 26 AWG

COMONENT NUMBER	BUS CABLE	STUB CABLE
D-500-9456-2-S16-ZZZ	7724S1664-9	7724S1664-96
D-500-9456-2-S36-ZZZ	7724S3664-9	7724S3664-96
D-500-9456-2-S86-ZZZ	7724S8664-9	7724S8664-96
D-500-9456-2-41L-ZZZ	7724S1LL4-9	7724S1LL4-96
D-500-9456-2-43L-ZZZ	7724S3LL4-9	7724S3LL4-96
D-500-9456-2-48L-ZZZ	7724S8LL4-9	7724S8LL4-96
D-500-9456-2-60L-ZZZ	7726S0LL4-9	7726S0LL4-96

© 2006-2015 Tyco Electronics Corporation. All Rights Reserved. Raychem Databus CUSTOMER DRAWING

UNLESS OTHERWISE SPECIFIED DIMENSIONS ARE INCHES. METRIC DIMENSIONS ARE IN BRACKETS. DECIMAL TOLERANCES .XXX ± 0.005 [0.13 mm] .XX ± 0.010 [0.25 mm] .X ± 0.020 [0.50 mm] ANGLE TOLERANCE .X ± 0.5 DEG. WEIGHT LBS. 0.0309 [14.0 gm]	DRAWN T RATZLAFF	DATE 20FEB2001			
	MATERIAL FINISH THIRD ANGLE PROJECTION	TITLE DATABUS MICROCOUPLER DOUBLE STUB, REVERSE LOW OUTGASSING		SIZE A	CODE IDENT. NO. 06090
CAD FILE D-500-9456-2-XXX-ZZZa_C_CD	DO NOT SCALE THIS DRAWING			SHEET 1 OF 2	

NOTES:

1. MATERIAL AND FINISHES:

- 1.1 INTERNAL COMPONENTS
 - 1.1.1 TRANSFORMER TO MIL-PRF-21038 AND MIL-STD-1553B
 - 1.1.2 ISOLATION RESISTORS TO MIL-PRF-39007/8, 57.6 OHMS
 - 1.1.3 INTERNAL AND EXTERNAL COMPONENTS ATTACHED USING SN96 SOLDER
- 1.2 SHIELDED CASE: ALUMINUM PER ASTM-B618.
 - 1.2.1 CASE FINISH: 65/35 Sn/Ni ALLOY, .0002/.0003 THK.
- 1.3 CABLE TYPE PER RAYCHEM SPECIFICATION 1200 (SEE TABLE ON SHEET 1).
- 1.4 STRAIN RELIEF TUBING: RAYCHEM RT-220, LOW OUTGASING TUBING.

2. APPLICATION:

- 2.1 THIS COUPLER IS DESIGNED TO BE INSTALLED INTO A DIGITAL MULTIPLEX HARNESS MEETING THE REQUIREMENTS OF MIL-STD-1553B AND NASA'S OUTGASSING SPECIFICATION SP-R-0022A.
 - 2.1.1 THIS PRODUCT IS ASSEMBLED USING LOW OUTGASSING MATERIALS.
 - 2.1.2 THIS PRODUCT IS NOT INTENDED FOR USE IN HIGH MOISTURE ENVIRONMENTS, NOR INTENDED FOR APPLICATIONS WHERE FLUID IMMERSION IS NECESSARY.
- 2.2 FOR CABLE SPLICING USE SPLICE KIT D-150-9708-5 (NOT SUPPLIED).
- 2.3 CABLE BEND RADIUS PER SAE-AS50881 STATIC BEND: 5 X CABLE O.D. MIN.
DYNAMIC BEND: 10 X CABLE O.D. MIN.

3. TEMPERATURE:

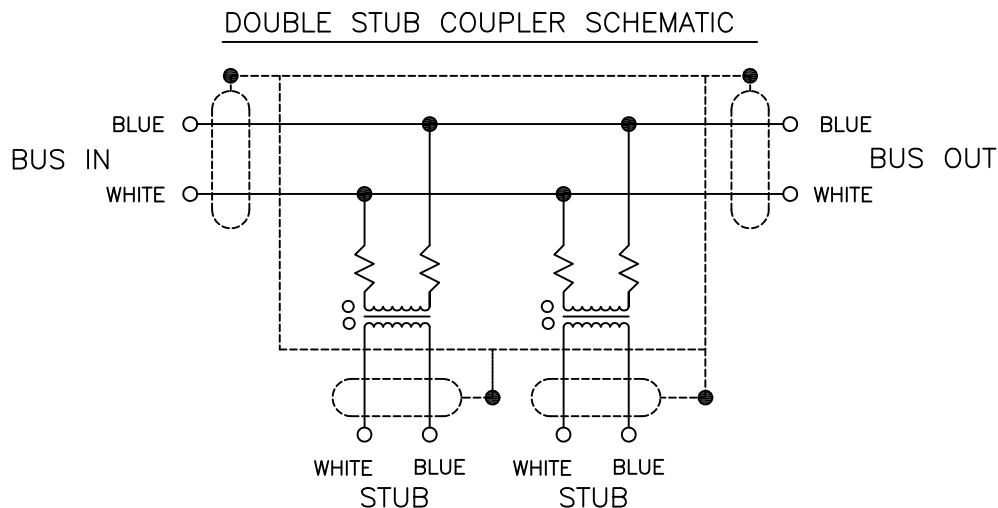
- 3.1 OPERATING TEMPERATURE: -65°C TO +150°C CONTINUOUS.

4. PERFORMANCE SPECIFICATIONS:

- 4.1 TRANSFORMER MEETS THE PERFORMANCE REQUIREMENTS OF MIL-STD-1553B.

5. WEIGHT:

- 5.1 MAXIMUM WEIGHT WITHOUT CABLE: 14 GRAMS MAX.



Raychem Databus CUSTOMER DRAWING

© 2006-2015 Tyco Electronics Corporation. All Rights Reserved.



TE Connectivity

DRAWN T RATZLAFF	DATE 20FEB2001	SIZE A	CAGE CODE 06090	DWG. NO. D-500-9456-2-XXX-ZZZ	REV D
CAD FILE D-500-9456-2-XXX-ZZZb_C_CD		DO NOT SCALE THIS DRAWING		SHEET 2 OF 2	