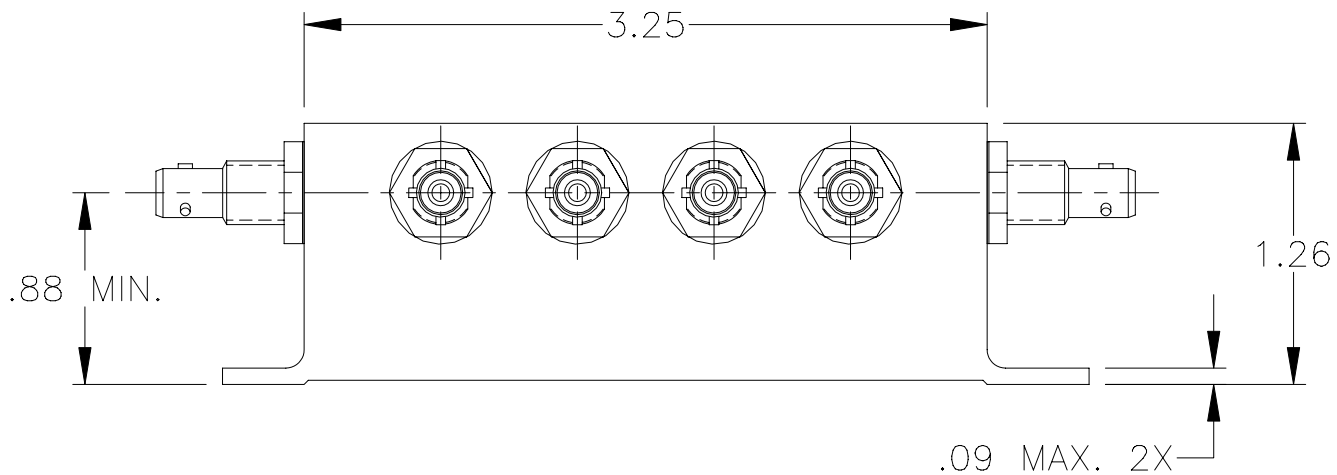
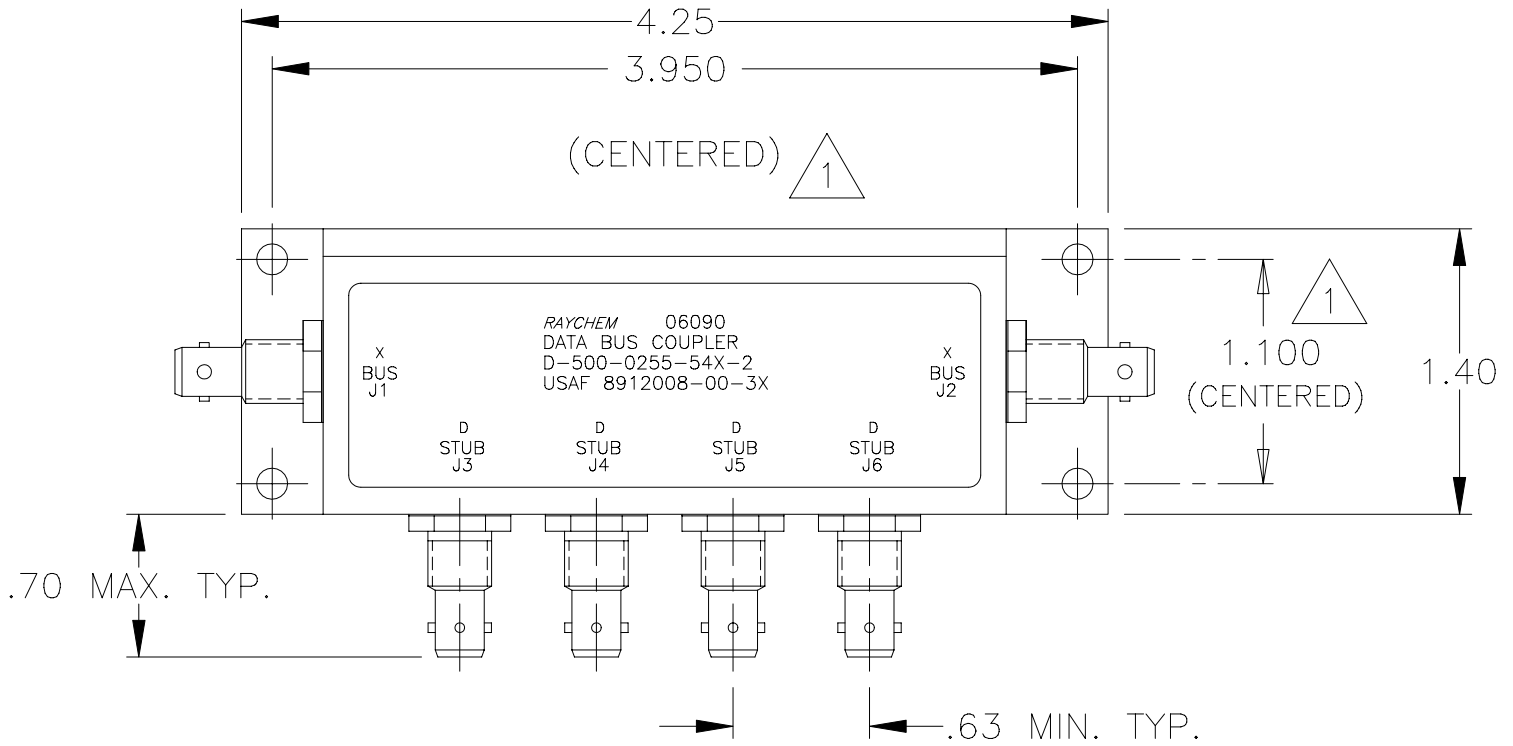


NOTES:

REVISIONS			
LTR	DESCRIPTION	DATE	APPROVED
N/C	INITIAL RELEASE PER ECN# T-16139	91 MAY 7	Z. TEMAN
A	REVISED PER ECN# T-16310	91 JUN 10	Z. TEMAN
B	REVISED PER ECN# T-20112		

1 HOLE PATTERN MACHINED SYMMETRIC WITHIN MOUNTING FLANGE.



If this document is printed it becomes uncontrolled.
Check for the latest revision.

SPECIFICATION CONTROL DRAWING

UNLESS OTHERWISE SPECIFIED
DIMENSIONS ARE IN INCHES.
METRIC DIMENSIONS ARE
IN BRACKETS.

DECIMALS
.XXX ±.010 [mm]
.XX ±.03 [mm]

ANGLES
.X ±

WEIGHT
170 GRAMS MAX..

DRAWN	J.B.K.	91 APR 29
CHECKED		
APPROVED		
APPROVED	Z.TEMAN	91 MAY 7
CAD NAME	009065-1.DWG	
THIRD ANGLE PROJECTION		

		Tyco Electronics Corporation 300 Constitution Drive Menlo Park, CA. 94025 U.S.A.		
TITLE				
4 STUB DATA BUS BAYONET COUPLER WITH TRIAXIAL CONNECTORS				
SIZE	CODE IDENT. NO.	DWG. NO.	REV	
A	06090	D-500-0255-54X-2	B	
DO NOT SCALE THIS DRAWING			SHEET 1 OF 2	

1.0 INTERMATEABILITY

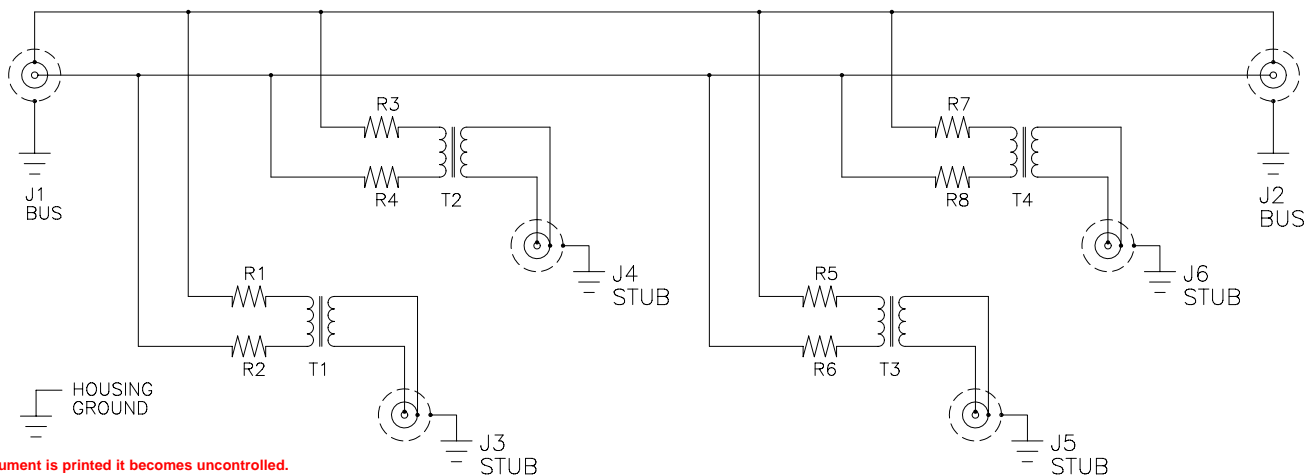
CONNECTOR BOX JACK	MATING PLUG	KEY ("X")
DK-621-0434-1S (8912004-00-05)	DK-621-0433-1P (8912003-00-01)	A
DK-621-0436-2S (8912004-00-06)	DK-621-0435-2P (8912003-00-02)	B
DK-621-0438-3S (8912004-00-07)	DK-621-0437-3P (8912003-00-03)	C
DK-621-0440-4P (8912004-00-04)	DK-621-0439-4S (8912003-00-08)	D

2.0 PERFORMANCE

- 2.1 THIS COUPLER IS DESIGNED TO MEET THE APPLICABLE FUNCTIONAL REQUIREMENT OF RAYCHEM SPECIFICATION D-6021 AND USAF 8912008.
- 2.2 THE COUPLER SHALL OPERATE UNDER ANY OF THE ENVIRONMENTAL SERVICE CONDITIONS AS SPECIFIED IN MIL-E-5400, CLASS ∇ UPGRADED TO 125°C CONTINUOUS OPERATION.
- 2.3 ALTITUDE: SEA LEVEL TO 75,000 FEET
- 3.0.

D-500-0255	BUS JACKS J1 AND J2	STUB JACKS J3 THRU J6
-543-2 (8912008-00-34)	DK-621-0434-1S "A" (8912004-00-05)	DK-621-0440-4P "D" (8912004-00-04)
-545-2 (8912008-00-35)	DK-621-0436-2S "B" (8912004-00-06)	DK-621-0440-4P "D" (8912004-00-04)
-547-2 (8912008-00-36)	DK-621-0438-3S "C" (8912004-00-07)	DK-621-0440-4P "D" (8912004-00-04)

SCHEMATIC DIAGRAM



If this document is printed it becomes uncontrolled.
Check for the latest revision.

CAD NAME: 009065-2	DRAWN	J.B.K.	91 APR 29	SIZE	CODE IDENT. NO.	DWG. NO.
	ISSUED			A	06090	D-500-0255-54X-2
				DO NOT SCALE THIS DRAWING		SHEET 2 OF 2