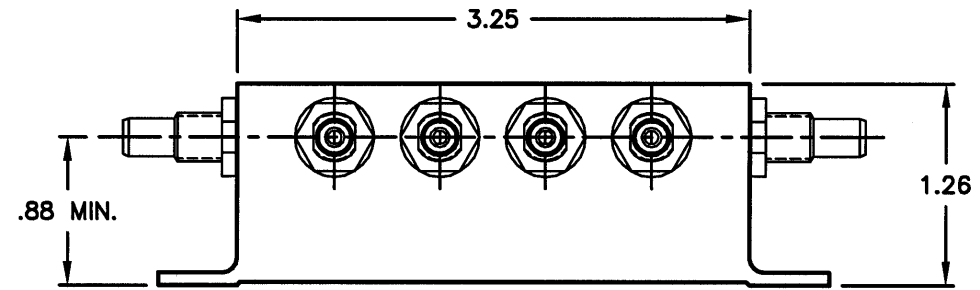
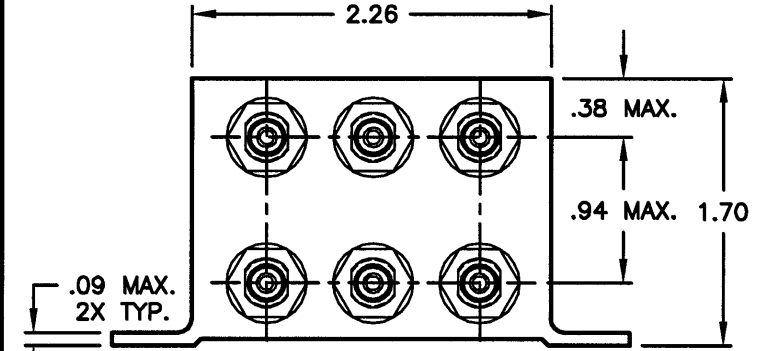
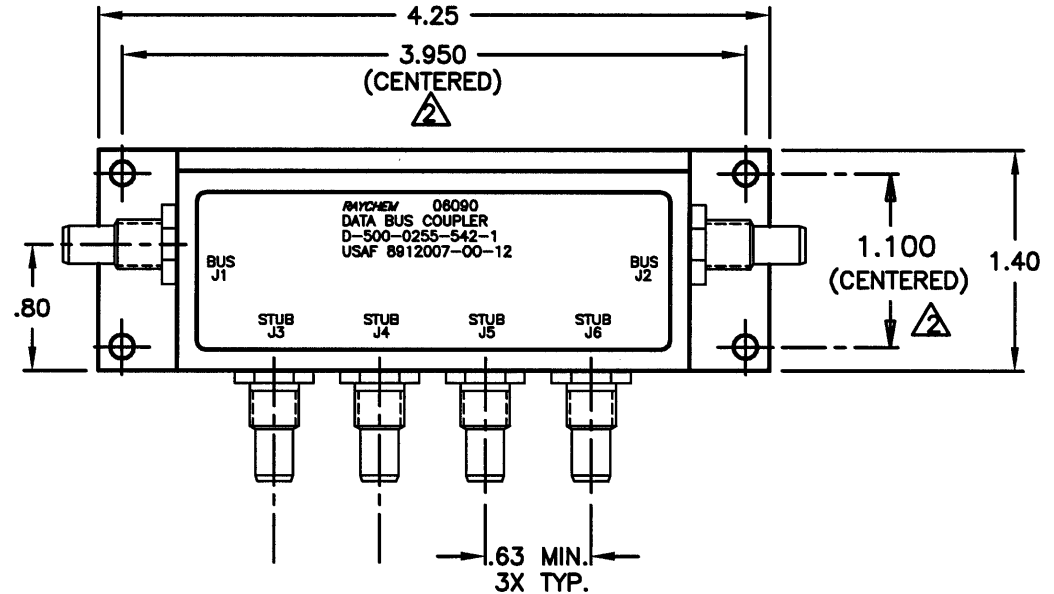
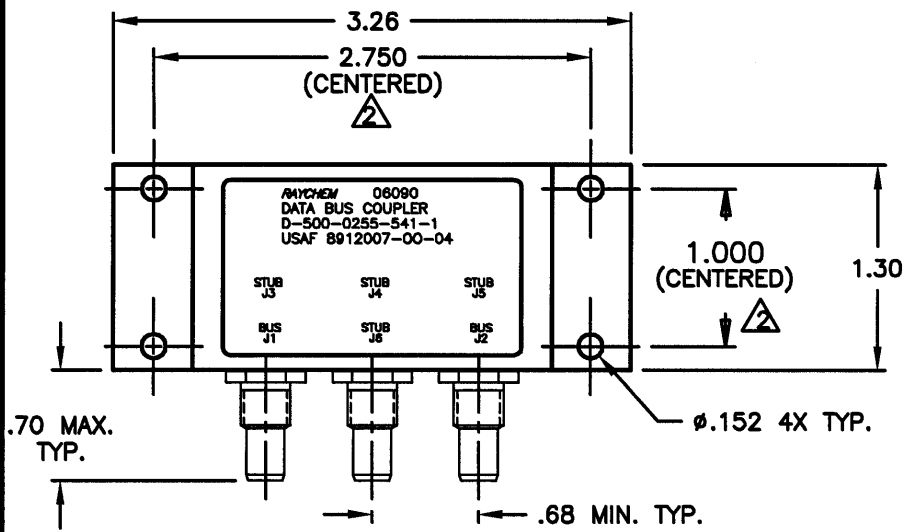


REVISIONS			
LTR	DESCRIPTION	DATE	APPROVED
N/C	INITIAL RELEASE PER ECN# T-16893	92 JAN 15	Z. TEMAN
A	REVISED PER ECN# T-20120	95 JUN 7	Z. TEMAN



FACE MOUNT BUS CONFIGURATION
D-500-0255-541-1

SIDE MOUNT BUS CONFIGURATION
D-500-0255-542-1

SPECIFICATION CONTROL DRAWING

- ③ WEIGHT: D-500-0255-541-1 150 grams MAX.
D-500-0255-542-1 170 grams MAX.
- ② HOLE PATTERN MACHINED SYMMETRIC TO MOUNTING FLANGE.
- 1. ORIENTATION OF CONNECTORS IS APPROXIMATELY AS SHOWN.

If this document is printed it becomes uncontrolled.
Check for the latest revision.

NOTES:

UNLESS OTHERWISE SPECIFIED DIMENSIONS ARE IN INCHES. METRIC DIMENSIONS ARE IN BRACKETS. DECIMALS .XXX ± .010 [— mm] .XX ± .03 [— mm] ANGLES .X ± — WEIGHT	DRAWN	J.B.K.	91 NOV 4	tyco Electronics	Tyco Electronics Corporation 300 Constitutional Drive Menlo Park, CA 94025 USA	Raychem						
	CHECKED											
	APPROVED			TITLE	4 STUB DATA BUS BOX COUPLER WITH THREADED TRIAXIAL CONNECTORS							
	APPROVED	Z.TEMAN	92 JAN 15	CAD NAME	009153-1	SIZE	A	CODE IDENT. NO.	06090	DWG. NO.	D-500-0255-541/542-1	REV
THIRD ANGLE PROJECTION				DO NOT SCALE THIS DRAWING			SHEET 1 OF 2					

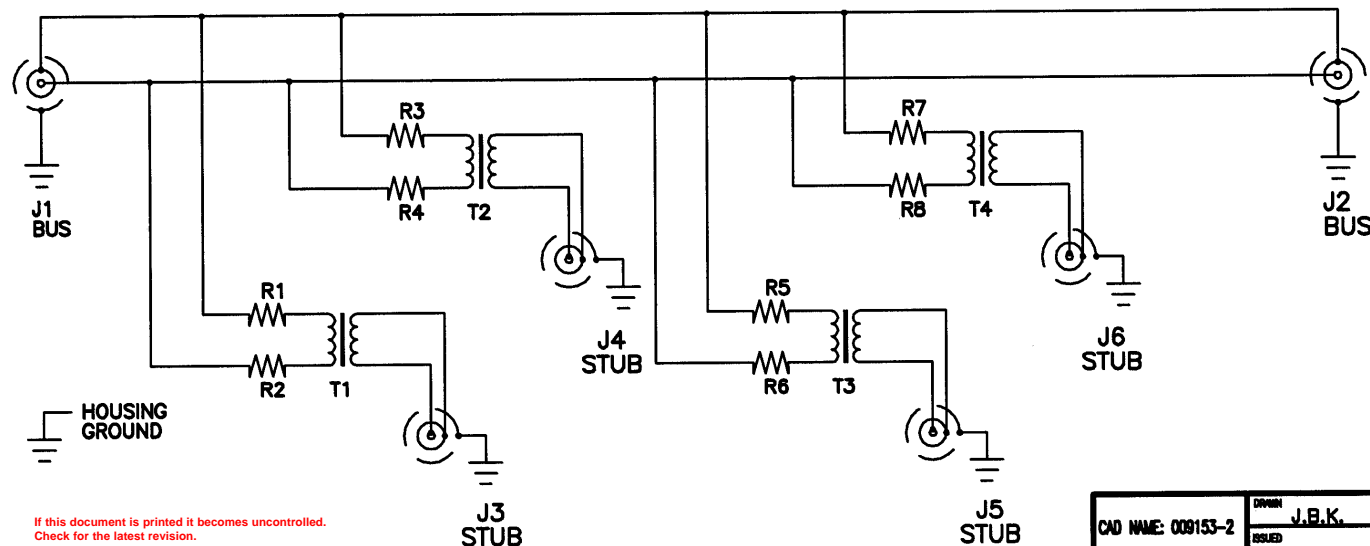
1.0 INTERMATEABILITY

BUS JACKS J1 AND J2	MATING PLUG
DK-621-0412-P (8340711-00-01)	DK-621-0411-S (8340709-00-02)

STUB JACK J3, J4, J5 & J6	MATING PLUG
DK-621-0412-S (8340711-00-02)	DK-621-0411-P (8340709-00-01)

2.0 PERFORMANCE

- 2.1 THIS COUPLER IS DESIGNED TO MEET THE APPLICABLE FUNCTIONAL REQUIREMENT OF RAYCHEM SPECIFICATION D-6021 AND USAF 8912007.
- 2.2 THE COUPLER SHALL OPERATE UNDER ANY OF THE ENVIRONMENTAL SERVICE CONDITIONS AS SPECIFIED IN MIL-E-5400, CLASS ∇ UPGRADED TO 125°C CONTINUOUS OPERATION.
- 2.3 ALTITUDE: SEA LEVEL TO 75,000 FEET

SCHEMATIC DIAGRAM

If this document is printed it becomes uncontrolled.
Check for the latest revision.

CAD NAME: 009153-2	DRAWN J.B.K.	DATE 91 NOV 5	SIZE A	CODE IDENT. NO. 06090	DWG. NO. D-500-0255-541/542-1
	ISSUED	DATE	DO NOT SCALE THIS DRAWING		SHEET 2 OF 2