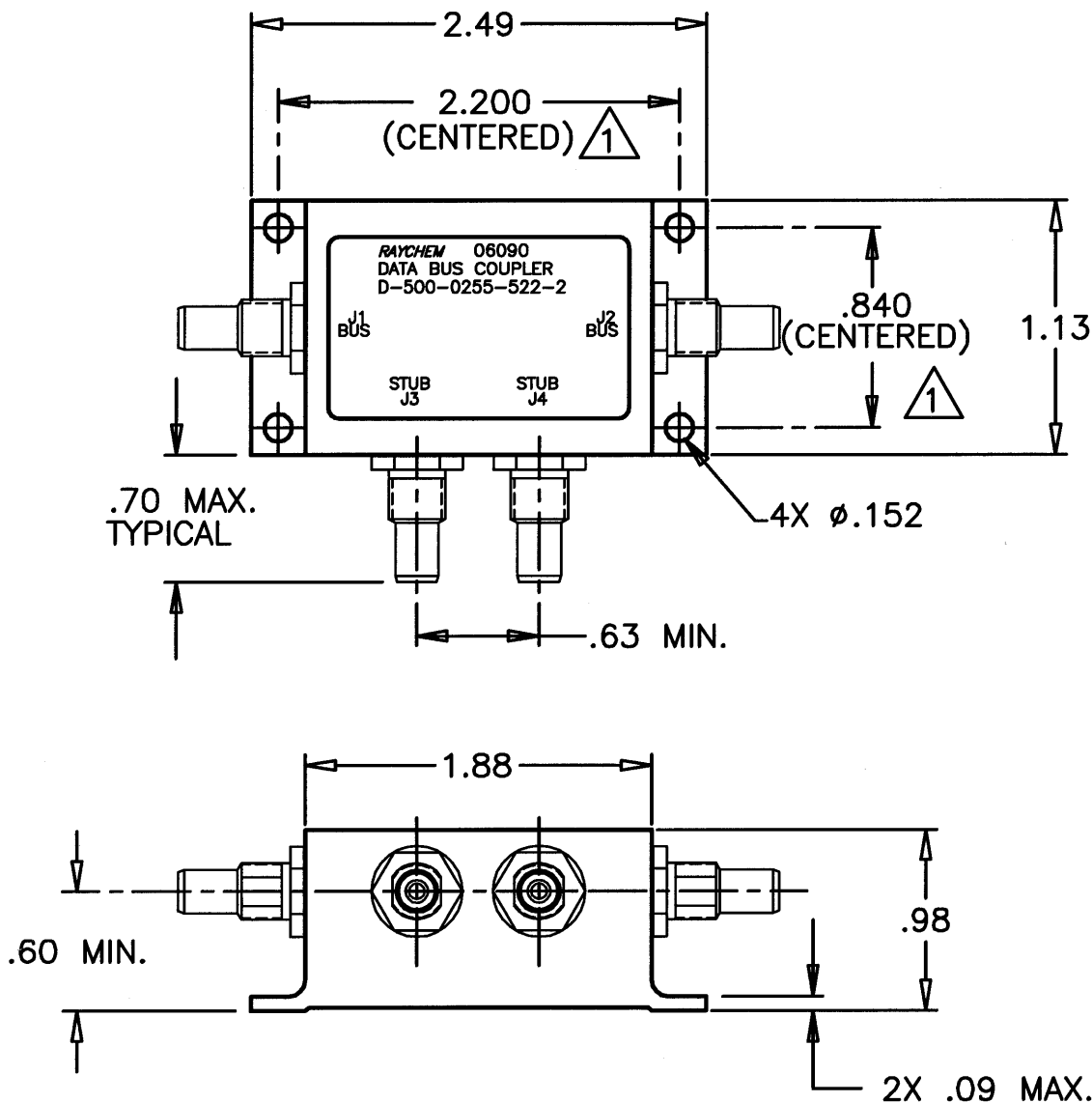


REVISIONS			
LTR	DESCRIPTION	DATE	APPROVED
N/C	REVISED PER ECN# T-19839	95MAR15	D.C.P.
A	REVISED PER ECN# T-19945	95MAR24	D.C.P.

NOTES:

① HOLE PATTERN MACHINED SYMETRIC TO MOUNTING FLANGE.



If this document is printed it becomes uncontrolled.  
Check with the web for latest revision.

## SPECIFICATION CONTROL DRAWING

UNLESS OTHERWISE SPECIFIED  
DIMENSIONS ARE IN INCHES.  
METRIC DIMENSIONS ARE  
IN BRACKETS.

DECIMALS

.XXX ± .010 { — mm }  
.XX ± .03 { — mm }

ANGLES

.X — ± —

WEIGHT

80 GRAMS NOM.

DRAWN	D.C.P.	95FEB15
CHECKED	Z.E.T.	95MAR15
APPROVED	P.J.D.	95MAR15
APPROVED		
CAD NAME	001783-1.DWG	

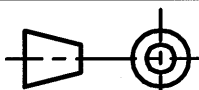
*Raychem*

RAYCHEM CORPORATION  
300 CONSTITUTION DRIVE  
MENLO PARK, CALIFORNIA 94025

TITLE

2 STUB  
DATA BUS COUPLER  
WITH THREADED CONNECTORS

THIRD ANGLE  
PROJECTION



SIZE

CODE IDENT. NO.

DWG. NO.

REV

A

06090

D-500-0255-522-2

A

DO NOT SCALE THIS DRAWING

SHEET 1 OF 2

1.0 INTERMATEABILITY

CONNECTOR J1 AND J2	MATING PLUG
DK-621-0412-S (8340711-00-02)	DK-621-0411-P (8340709-00-01)

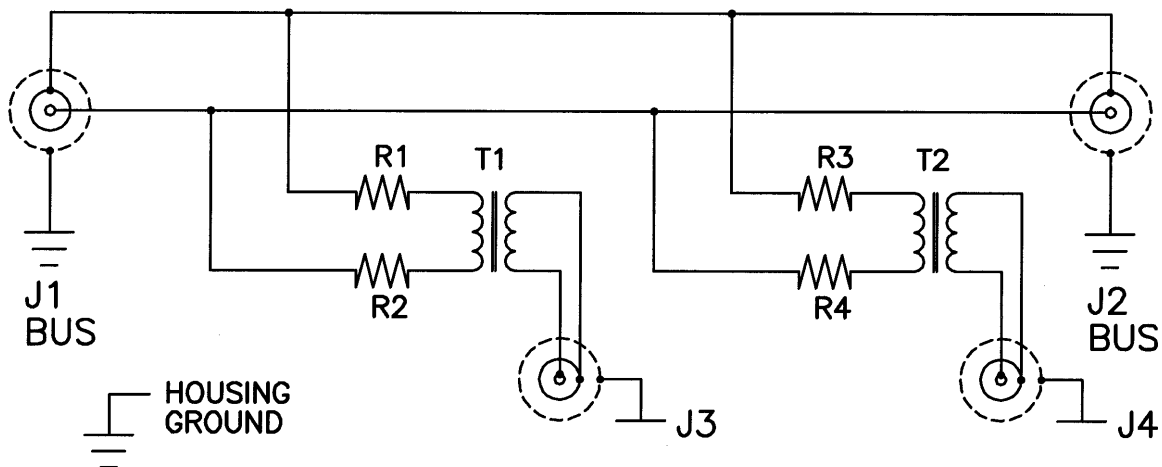
STUB JACKS J3 AND J4	MATING PLUG
DK-621-0412-P (8340711-00-01)	DK-621-0411-S (8340709-00-02)

If this document is printed it becomes uncontrolled.  
Check with the web for latest revision.

2.0 PERFORMANCE

- 2.1 THIS COUPLER IS DESIGNED TO MEET THE APPLICABLE FUNCTIONAL REQUIREMENT OF RAYCHEM SPECIFICATION D-6021 AND USAF 8912008.
- 2.2 THE COUPLER SHALL OPERATE UNDER ANY OF THE ENVIRONMENTAL SERVICE CONDITIONS AS SPECIFIED IN MIL-E-5400, CLASS  $\nabla$  UPGRADED TO 125°C CONTINUOUS OPERATION.
- 2.3 ALTITUDE: SEA LEVEL TO 75,000 FEET

SCHEMATIC DIAGRAM



CAD NAME: 001783-2	DRAWN	D.C.P.	95FEB15	SIZE	CODE IDENT. NO.	DWG. NO.
	ISSUED			A	06090	D-500-0255-522-2
DO NOT SCALE THIS DRAWING						SHEET 2 OF 2