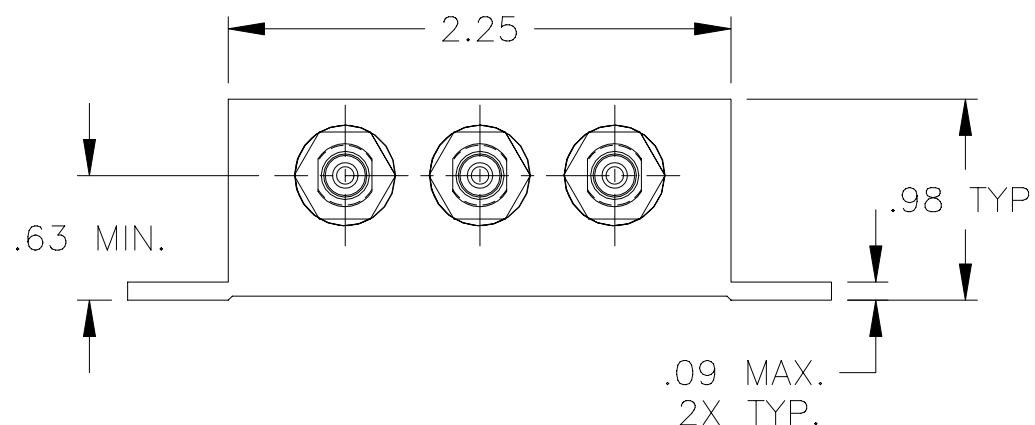
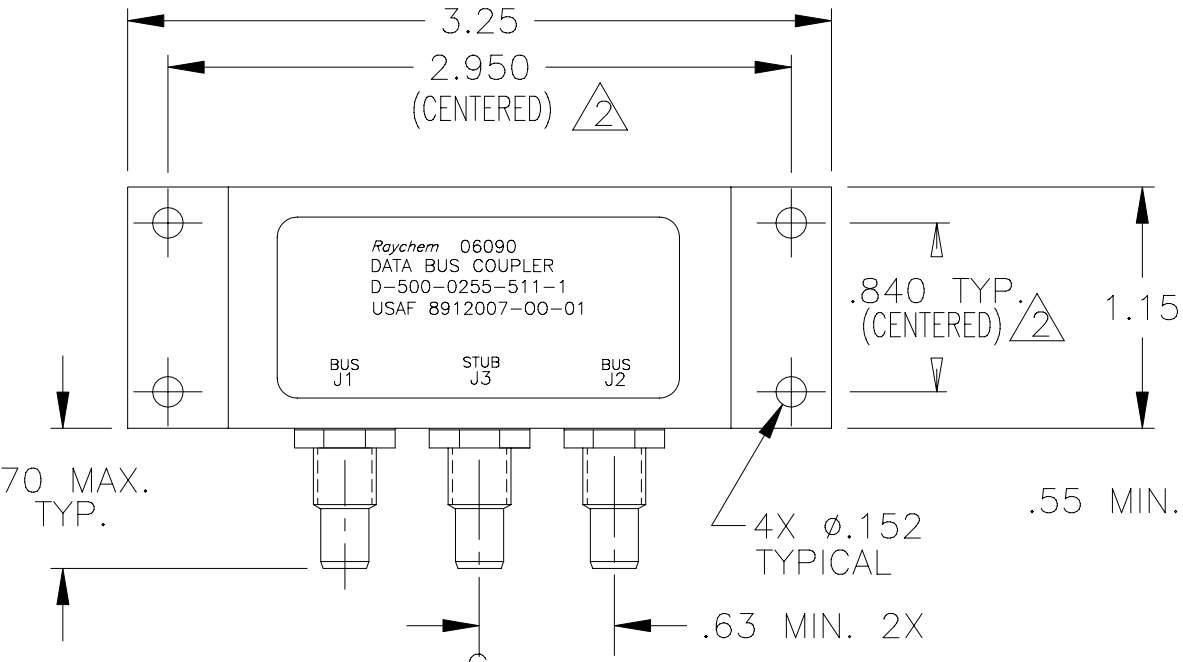
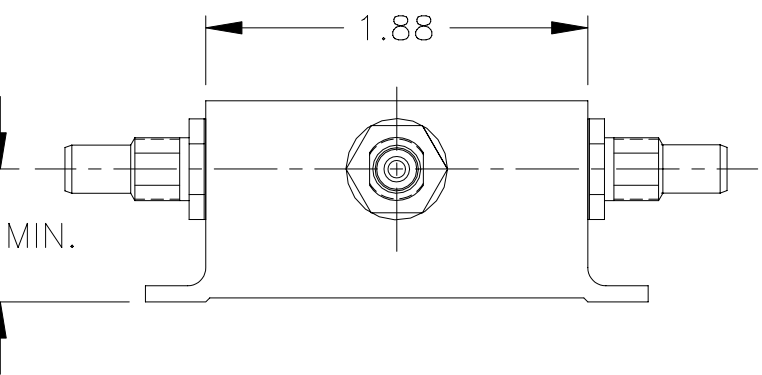
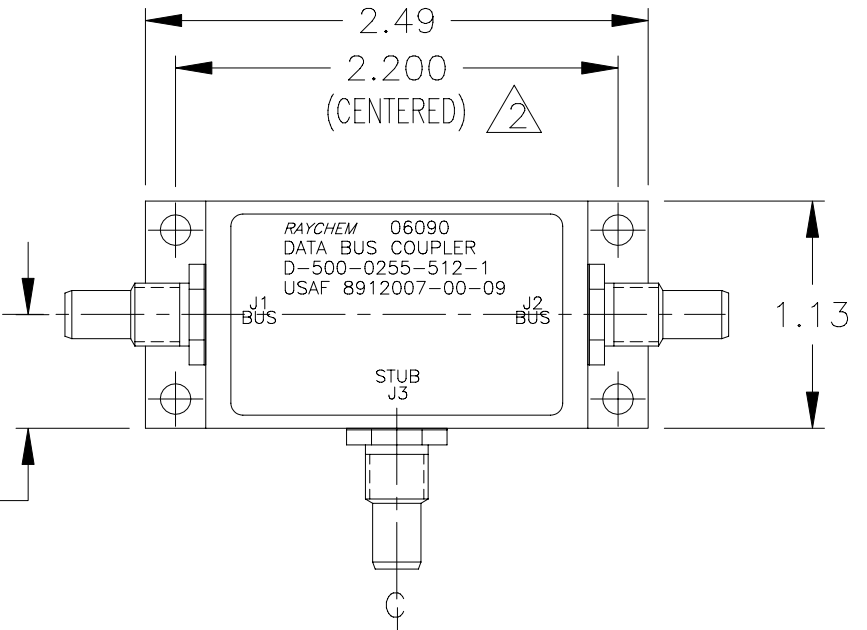


REVISIONS			
LTR	DESCRIPTION	DATE	APPROVED
N/C	INITIAL RELEASE PER ECN# T-16880	92 JAN 15	Z. TEMAN
A	REVISED PER ECN# T-20117		



FACE MOUNT BUS CONFIGURATION
D-500-0255-511-1



SIDE MOUNT BUS CONFIGURATION
D-500-0255-512-1

△3 WEIGHT: D-500-0255-511-1 85 grams MAX.
D-500-0255-512-1 80 grams MAX.

△2 HOLE PATTERN MACHINED SYMMETRIC TO MOUNTING FLANGE.

1. ORIENTATION OF CONNECTORS IS APPROXIMATELY AS SHOWN.

NOTES:
If this document is printed it becomes uncontrolled.
Check for the latest revision.

UNLESS OTHERWISE SPECIFIED DIMENSIONS ARE IN INCHES. METRIC DIMENSIONS ARE IN BRACKETS.	DRAWN	J.B.K.	91 NOV 4
	CHECKED		
	APPROVED		
	APPROVED	Z.TEMAN	92 JAN 15
DECIMALS	.XXX ± .010	[— mm]	
	.XX ± .03	[— mm]	
ANGLES	.X ± —		
WEIGHT	△3		

CAD NAME	009151-1.DWG
THIRD ANGLE PROJECTION	

tyco Electronics		Tyco Electronics Corporation 300 Constitution Drive Menlo Park, CA. 94025 U.S.A.		Raychem	
TITLE					
1 STUB DATA BUS BOX COUPLER WITH THREADED TRIAXIAL CONNECTORS (FACE MOUNT & SIDE MOUNT BUS CONFIGURATION)					
SIZE	CODE IDENT. NO.	DWG. NO.	REV		
A	06090	D-500-0255-511/512-1	A		
DO NOT SCALE THIS DRAWING			SHEET 1 OF 2		

1.0 INTERMATEABILITY

BUS JACKS J1 AND J2	MATING PLUG
DK-621-0412-P (8340711-00-01)	DK-621-0411-S (8340709-00-02)

STUB JACK J3	MATING PLUG
DK-621-0412-S (8340711-00-02)	DK-621-0411-P (8340709-00-01)

2.0 PERFORMANCE

- 2.1 THIS COUPLER IS DESIGNED TO MEET THE APPLICABLE FUNCTIONAL REQUIREMENT OF RAYCHEM SPECIFICATION D-6021 AND USAF 8912007.
- 2.2 THE COUPLER SHALL OPERATE UNDER ANY OF THE ENVIRONMENTAL SERVICE CONDITIONS AS SPECIFIED IN MIL-E-5400, CLASS ∇ UPGRADED TO 125°C CONTINUOUS OPERATION.
- 2.3 ALTITUDE: SEA LEVEL TO 75,000 FEET

SCHEMATIC DIAGRAM