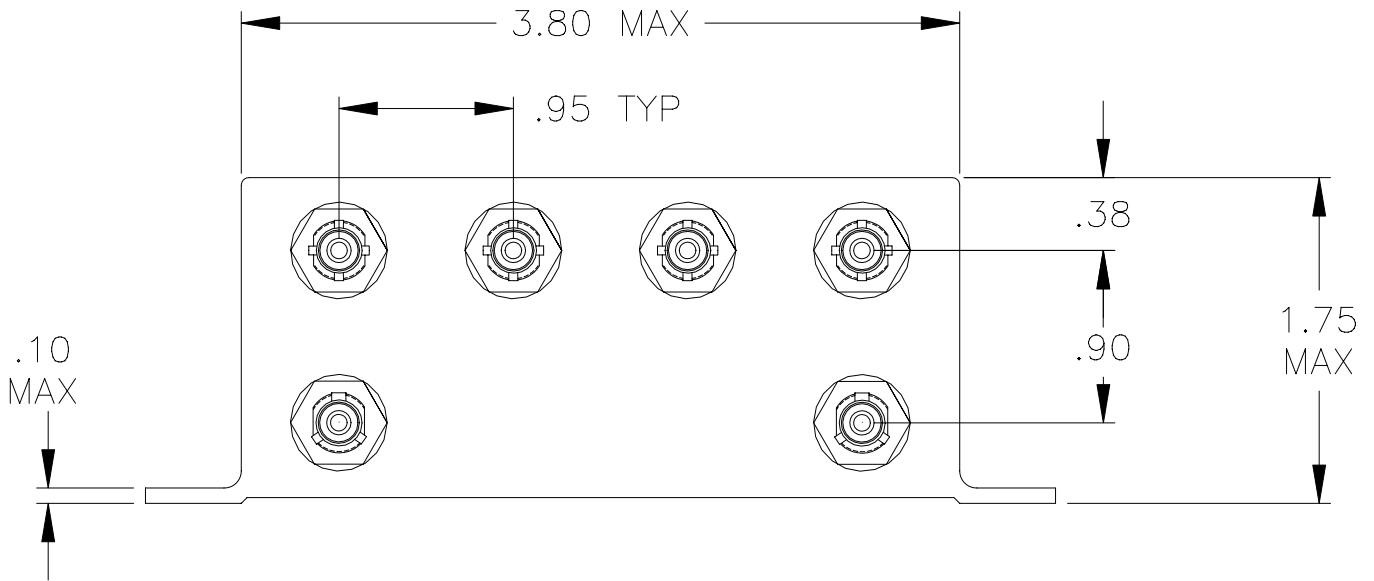
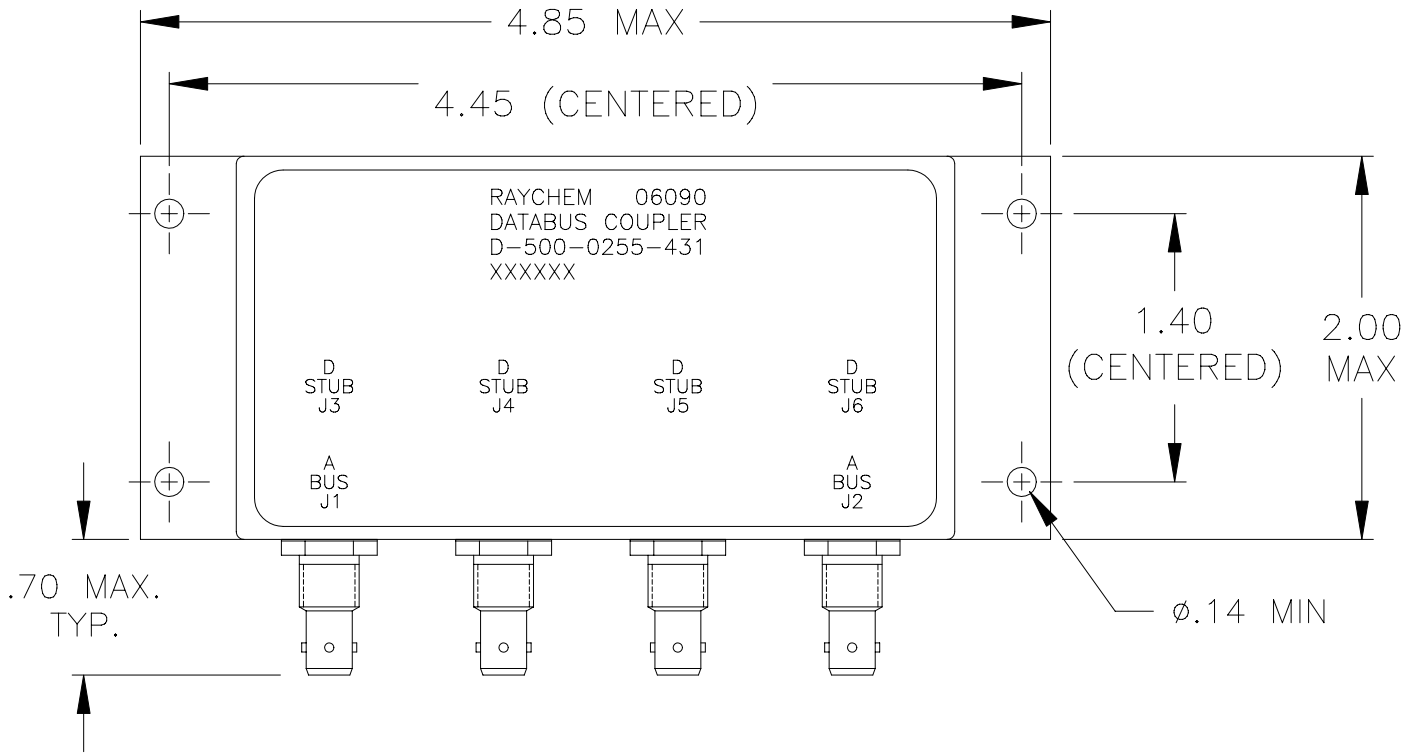


If this document is printed it becomes uncontrolled.  
Check for the latest revision.

REVISION		
REV	DESCRIPTION	DATE
NC	INITIAL RELEASE PER DCR NUMBER T31552	22JAN2003



SPECIFICATION CONTROL DRAWING



RAYCHEM PRODUCTS  
305 CONSTITUTION DRIVE  
MENLO PARK, CALIFORNIA 94025

UNLESS OTHERWISE SPECIFIED  
DIMENSIONS ARE INCHES. METRIC  
DIMENSIONS ARE IN BRACKETS.

DRAWN  
T RATZLAFF  
DATE  
22JAN2003

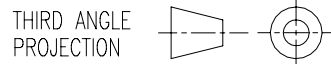
DECIMAL TOLERANCES  
.XXX ± 0.005 [ 0.13 mm]  
.XX ± 0.010 [ 0.25 mm]  
.X ± 0.020 [ 0.50 mm]

ANGLE TOLERANCE  
.X ± 0.5 DEG.

WEIGHT  
LBS. TBD [ TBD gm]

MATERIAL  
FINISH

TITLE  
DATABUS BOX COUPLER,  
4 STUB,  
CONNECTOR GROUP AP/DP



SIZE A	CODE IDENT. NO. 06090	DWG. NO. D-500-0255-431
-----------	--------------------------	----------------------------

CAD FILE  
T31552A.DWG

1.0 PERFORMANCE

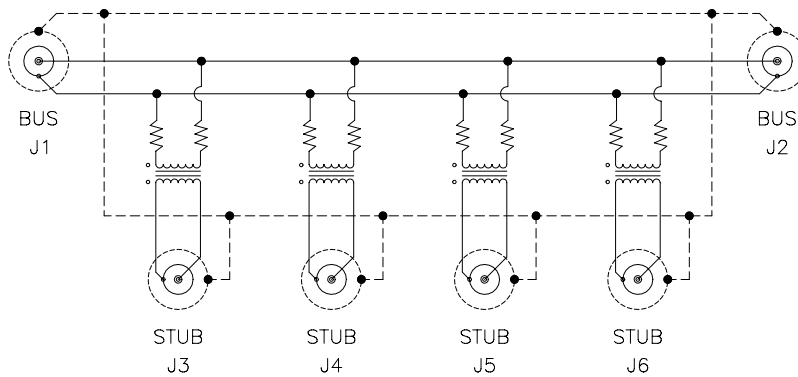
- 1.1 THIS COUPLER MEETS THE FUNCTIONAL PERFORMANCE AS DEFINED IN RAYCHEM SPECIFICATION D-6021.
- 1.2 OPERATING TEMPERATURE RANGE: -55°C TO +125°C.
- 1.3 ALTITUDE: SEA LEVEL TO 50,000 FEET.
- 1.4 SALT SPRAY CORROSION RESISTANCE: 500 HOURS.

2.0 CONNECTORS AND CONTACTS

- 2.1 CONNECTORS, CONTACTS AND INTERMATEABILITY AS DEFINED IN TABLE 1, BELOW.

TABLE 1, CONNECTORS			
PORTS	CONNECTOR	CONTACT	MATING CONNECTOR
BUS	D-621-0434	D-602-0126 (PIN)	DK-621-0433-1S
STUB	D-621-0440	D-602-0126 (PIN)	DK-621-0439-4S

FOUR STUB COUPLER SCHEMATIC



SPECIFICATION CONTROL DRAWING

DRAWN T RATZLAFF	DATE JAN222003
CAD FILE T31552B.DWG	



SIZE A	CODE IDENT. NO. 06090	DWG. NO. D-500-0255-431	REV NC
DO NOT SCALE THIS DRAWING		SHEET 2 OF 2	