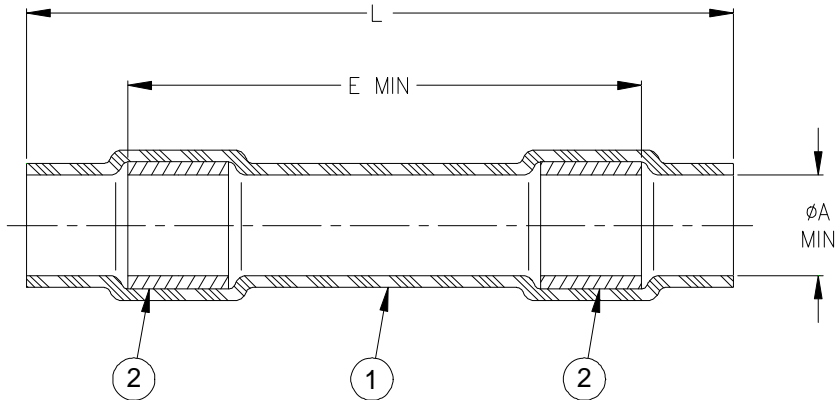


# CUSTOMER DRAWING



Product Name	Product Dimensions			Wire Dimensions		Sealing Rings Color
	L	E MIN	ØA MIN	ØD		
				MIN	MAX	
D-200-0096	27.94 ±1.27 (1.10 ±0.05)	24.15 (0.950)	2.16 (0.085)	0.63 (0.025)	2.16 (0.085)	Red
D-200-0097	27.94 ±1.27 (1.10 ±0.05)	24.15 (0.950)	2.80 (0.110)	0.63 (0.025)	2.80 (0.110)	Blue
D-200-0098	27.94 ±1.27 (1.10 ±0.05)	24.15 (0.950)	4.32 (0.170)	0.63 (0.025)	4.32 (0.170)	Yellow

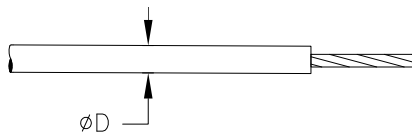
## MATERIALS

1. INSULATION SLEEVE: Heat-shrinkable, transparent blue, radiation cross-linked modified fluoropolymer.
2. SEALING RINGS: Immersion resistant modified thermoplastic fluoropolymer. Color: See Table.

## APPLICATION

1. These parts are designed to provide an immersion resistant seal on 1 to 1 splices made of wires having an insulation rated for at least +135°C.
2. Temperature range: -55°C to +200°C.
3. Parts may be installed by convection heating.

Wire dimension:



			TITLE: <b>SEALING SLEEVE</b>		
Unless otherwise specified dimensions are in millimeters. [Inches dimensions are shown in brackets]		Raychem Devices	DOCUMENT NO.: <b>D-200-0096/-0098</b>		
TOLERANCES: 0.00 N/A 0.0 N/A 0 N/A	ANGLES: N/A ROUGHNESS IN MICRON	Tyco Electronics reserves the right to amend this drawing at any time. Users should evaluate the suitability of the product for their application.	REV: <b>C1</b>	DATE: April 4, 2018	
PREPARED BY: <i>UNGUYEN</i>	CAGE CODE: 06090	REVISED PER. ECO-18-005120	SCALE: DO NOT SCALE	SIZE: A	SHEET: 1 of 1