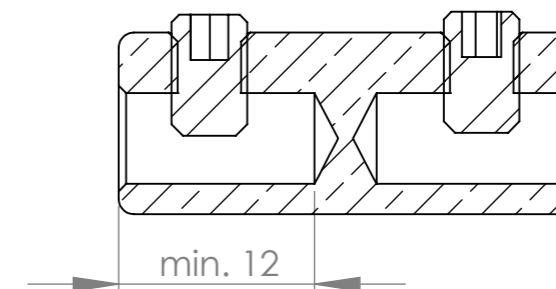
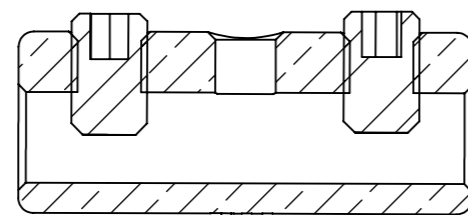
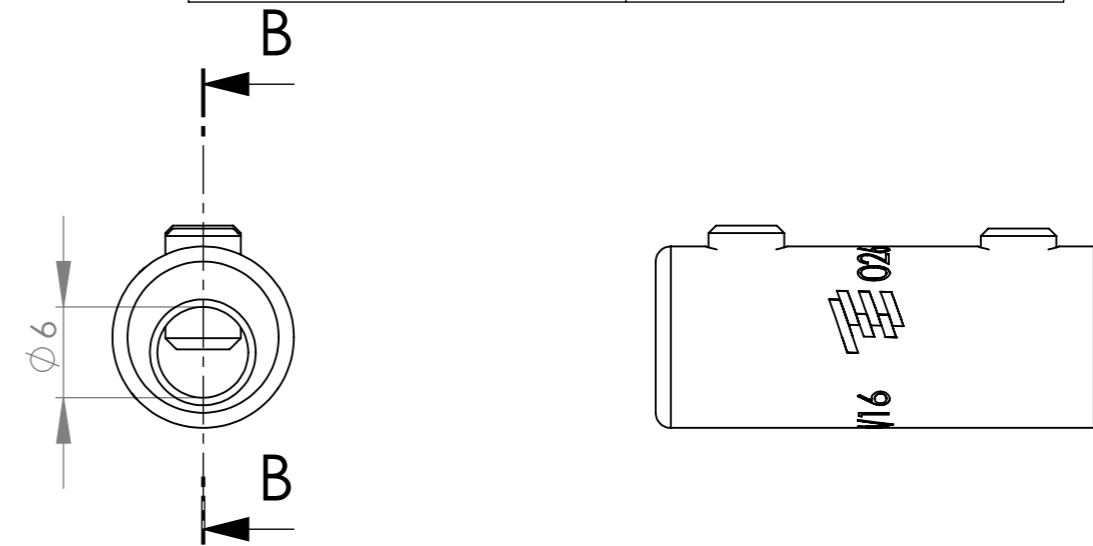
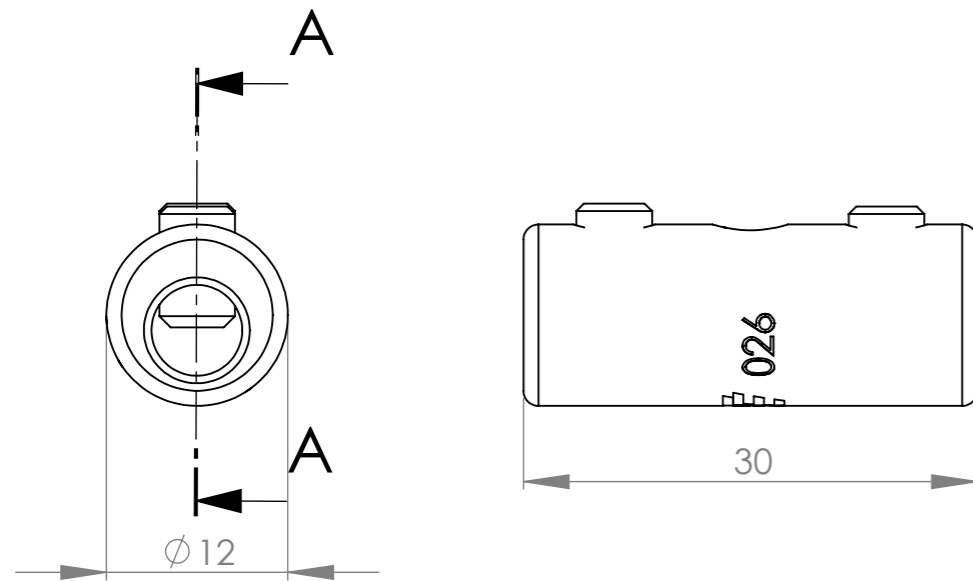


ohne Trennsteg / unblocked Version

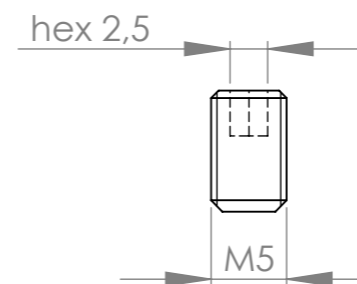
mit Trennsteg / blocked Version

BSLU-4/16	CU3659-000
DESCRIPTION	RAYCHEM PART NUMBER

BSLB-4/16	CU3672-000
DESCRIPTION	RAYCHEM PART NUMBER



SCHNITT A-A



SCHNITT B-B

	Cu round stranded/ mehrdrätig RM	Cu round solid/ eindrätig RE
conductor cross section/ Querschnittsbereich mm <sup>2</sup>	4-16	4-16
conductor diameter/ Leiterdurchmesser mm	Ø2,4-Ø5,0	Ø2,2-Ø4,6

<b>not specified Tolerances are according to</b>	BURR PROJECTION:	DEBUR AND BREAK SHARP EDGES	<b>DO NOT SCALE DRAWING</b>	REVISION: 0
	FORM BOUND MEASURE:	DIMENSION: <b>mm</b>	This Information is confidential and proprietary to Tyco Electronics Corporation and its subsidiaries and affiliates. It may not be disclosed to anyone, other than Tyco Electronics personnel, without written authorization from Tyco Electronics Corporation, Harrisburg, Pennsylvania USA.	
	NOT FORM BOUND MEASURE:			
DRAWN: Dolling	SIGNATURE: [Signature]	DATE: 30.05.2011	MATERIAL: <b>Brass/Messing</b>	DESCRIPTION: <b>BSLU-4/16 BSLB-4/16</b>
CHK'D: Hardt		DATE: 30.05.2011		
APP'V'D:				
 <b>Tyco Electronics Raychem GmbH</b> Werk Falkenberg Hellsternstr. 1 04895 Schmerkendorf (Germany)			SURFACE: <b>natural</b>	DWG NO. <b>Kundenzeichnung BSLx-4_16</b> A3
			WEIGHT: <b>23,3 g</b>	SCALE: <b>2:1</b> SHEET: <b>1 OF 1</b>