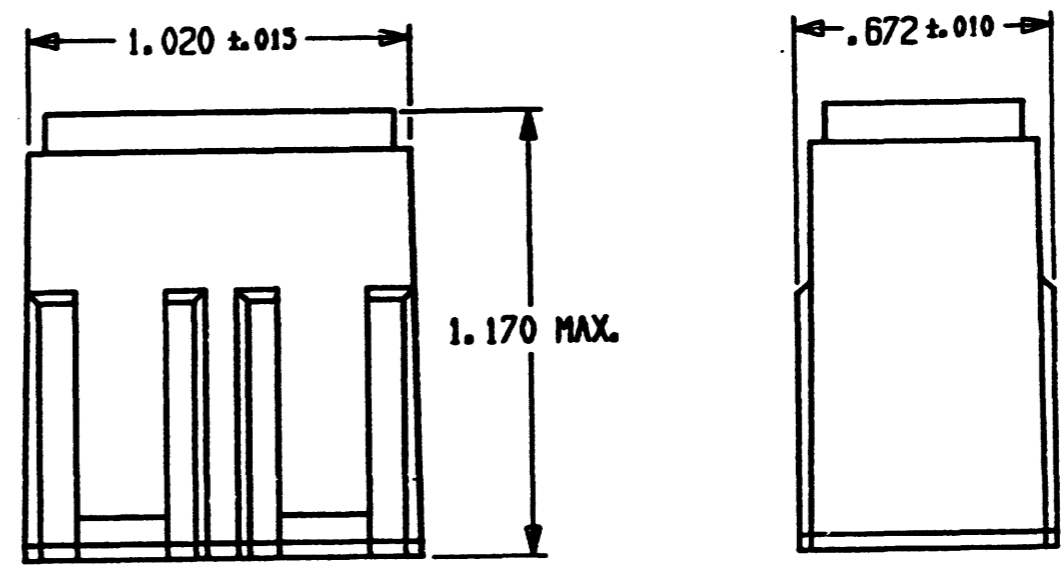
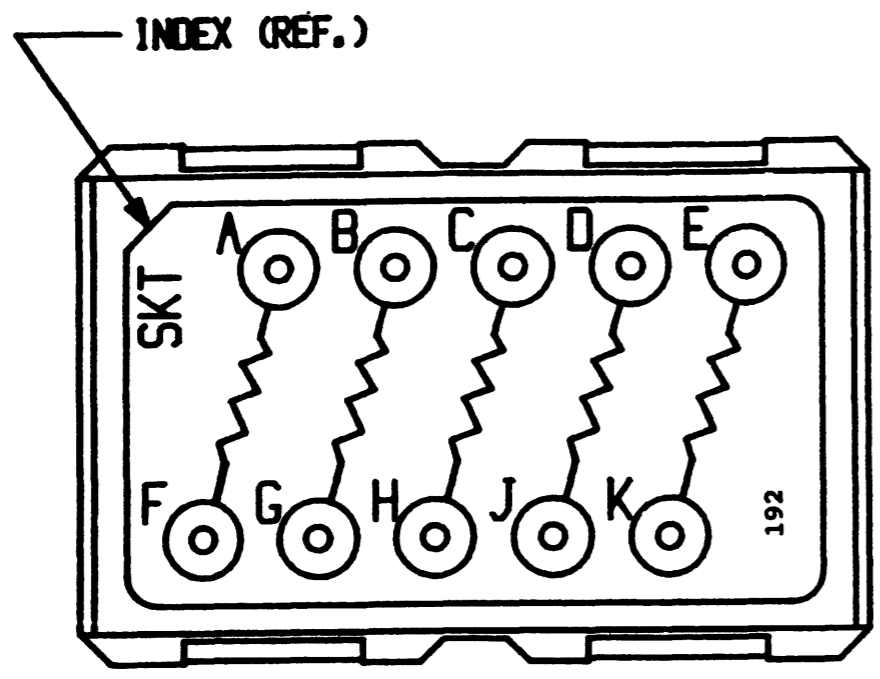


| N/C | CTJ420E192-513 | REVISIONS | | |
|-----|----------------------|-----------|-------------|------|
| | | SYM | DESCRIPTION | DATE |
| N/C | NEW RELEASE PER E.O. | A10646 | 4/12/94 | B |



10. ELECTRONIC COMPONENTS:
RESISTORS, (5), PART NO. RLR07C1001 FR (1kΩ, 1/4W).
9. SOCKET CONTACTS MEET MIL-C-39029/22-192 REQUIREMENT.
8. JUNCTION ELECTRONIC COMPONENT TEMPERATURE RANGE:
-67°F TO +257°F (-55°C TO +125°C).
7. MATERIALS AND FINISHES:
HOUSING - THERMO PLASTIC
GROMMET - METHYL VINYL FLUORO SILICONE BLEND
PIN CONTACTS - COPPER ALLOY, GOLD PLATED
6. CONTACT TOOL NO. M15570-20 IS REQUIRED.
5. SEE ENVELOPE DRAWING NO. CTJ-3*** OR
DCR-1*** FOR SUITABLE RAIL ASSEMBLIES.
4. FOR CONTACT DATA SEE ENVELOPE DRAWING 1625-1-0000.
3. CTJ420E192-513

| | | | |
|--|--|---------------------|--|
| | | | |
| | | MODIFICATION | |
| | | CIRCUIT ARRANGEMENT | |
| | | BASIC IDENTIFIER | |
2. THE CIRCUIT IDENTIFICATION WILL BE SCREENED ON JUNCTION.
1. DIMENSIONS ARE IN INCHES UNLESS OTHERWISE SPECIFIED.

NOTE:

| | |
|------------------|----------------------------------|
| SIGNATURE & DATE | |
| DR | <i>Ron von Heiningen</i> 3-22-94 |
| CHK | <i>Jo Powell</i> 4-12-94 |
| PE | <i>Ron von Heiningen</i> 3-23-94 |
| APPD | |
| SCALE | NONE WT |

**JUNCTION ASSEMBLY
 ELECTRONIC COMPONENT
 SIZE 12
 SIZE 20 CONTACTS**

ENVELOPE

| | |
|---|----------------------|
| CP | MATL CODE |
| DEUTSCH ENGINEERED CONNECTING DEVICES Municipal Airport Banning, California | |
| B | CTJ420E192-513 |
| DWG SIZE | CODE 11139 SHEET P 1 |