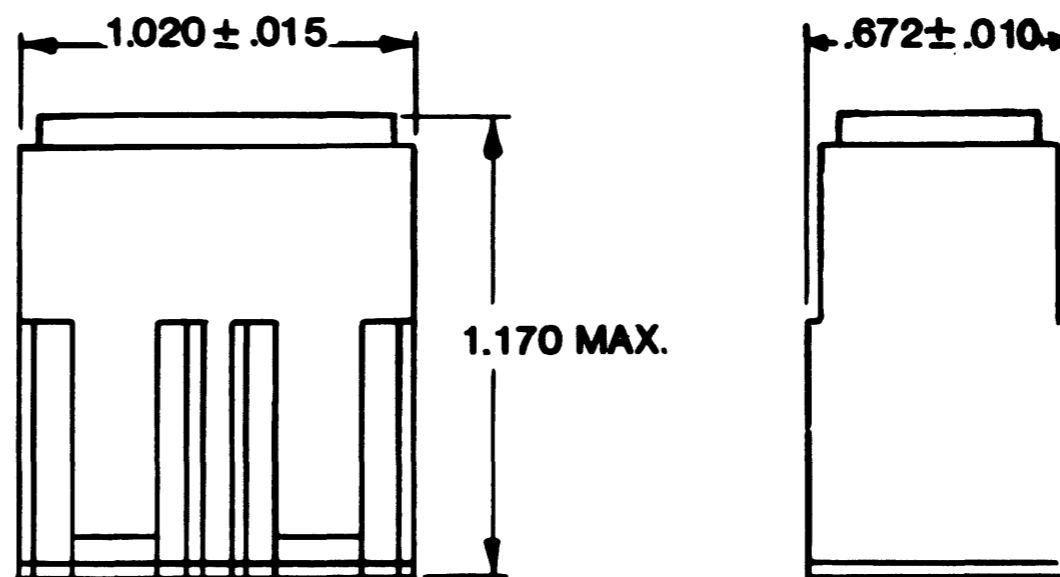
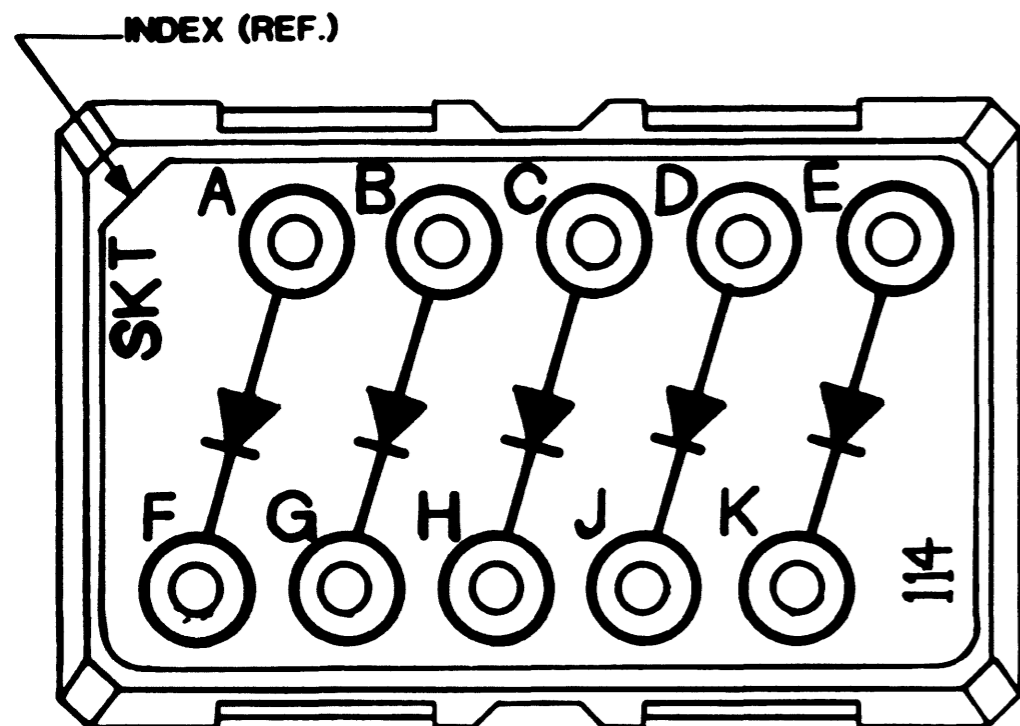


CTJ420E114

REVISIONS			
SYM	DESCRIPTION	DATE	APPROVED
N/C	NEW RELEASE PER E.O. 96040	3-17-83	<i>L. Hall</i>



11. COMPONENT: JANTX 1N4247 PER MIL-S-19500/286
10. THIS ASSEMBLY CONFORMS TO AFLC 8027620-4 SPEC.
9. SOCKET CONTACTS MEET MIL-C-80028/22-182 REQUIREMENTS.
8. JUNCTION ELECTRONIC COMPONENT TEMPERATURE RANGE : -67° F TO 392° F ( -55° C TO 200° C ).
7. MATERIALS AND FINISHES :  
 HOUSINGS - THERMO PLASTIC.  
 GROMMET - SILICONE ELASTOMER.  
 PIN CONTACTS - COPPER ALLOY PLATED GOLD.

6. CONTACT TOOL NO. M15570-20 IS REQUIRED.
5. SEE ENVELOPE DRAWING NO. CTJ-34444 FOR SUITABLE RAIL ASSEMBLIES.
4. FOR CONTACT DATA SEE ENVELOPE DRAWING 1626-1-0000.

3. CT420E 114 - XXX  
 \_\_\_\_\_ MODIFICATION  
 \_\_\_\_\_ CIRCUIT ARRANGEMENT  
 \_\_\_\_\_ BASIC IDENTIFIER

2. THE CIRCUIT IDENTIFICATION WILL BE SCREENED ON JUNCTION.

NOTE : 1. DIMENSIONS ARE IN INCHES UNLESS OTHERWISE SPECIFIED.

SIGNATURE & DATE	
DR	<i>Ken Walker</i> 3/1/83
CHK	<i>L. Hall</i> 3-17-83
PE	<i>MAC DONALD</i> 3-18-83
APPD	
SCALE	NONE WT

**JUNCTION ASSEMBLY  
 ELECTRONIC COMPONENT  
 SIZE 12  
 SIZE 20 CONTACTS  
 114 ARRANGEMENT  
 ENVELOPE**

CP	MATL CODE 16
<b>The Deutch Company</b> ELECTRONIC COMPONENTS DIVISION Municipal Airport Manning, California	
<b>B</b>	<b>CTJ420E114</b>
DWG SIZE	CODE 11139 SHEET 1 OF 1