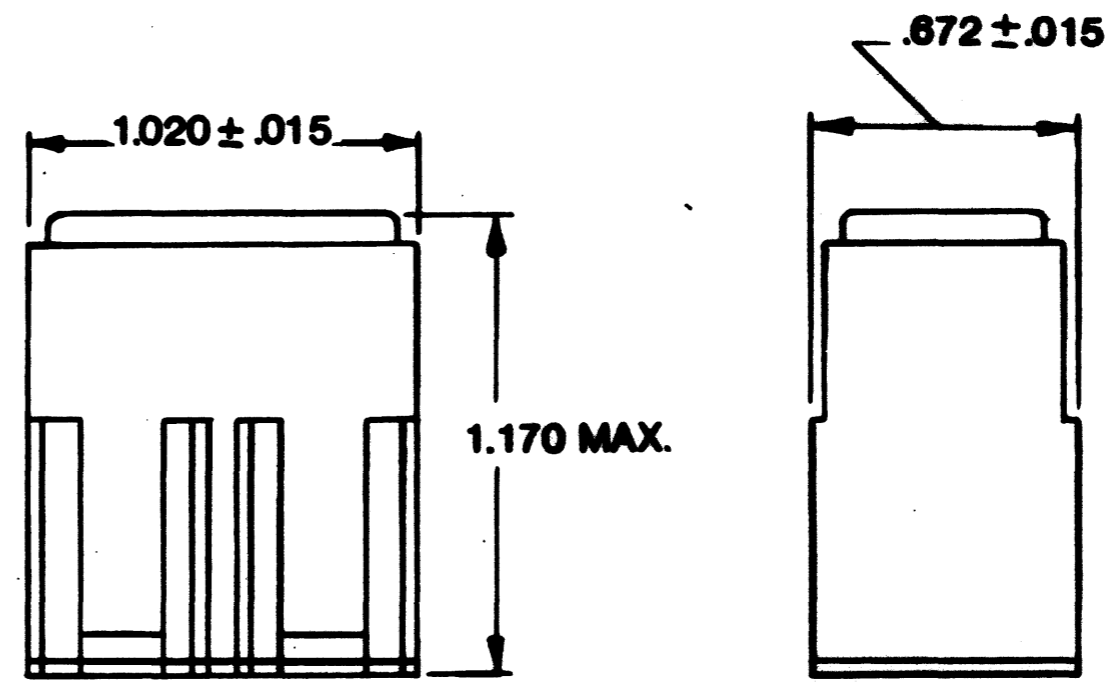
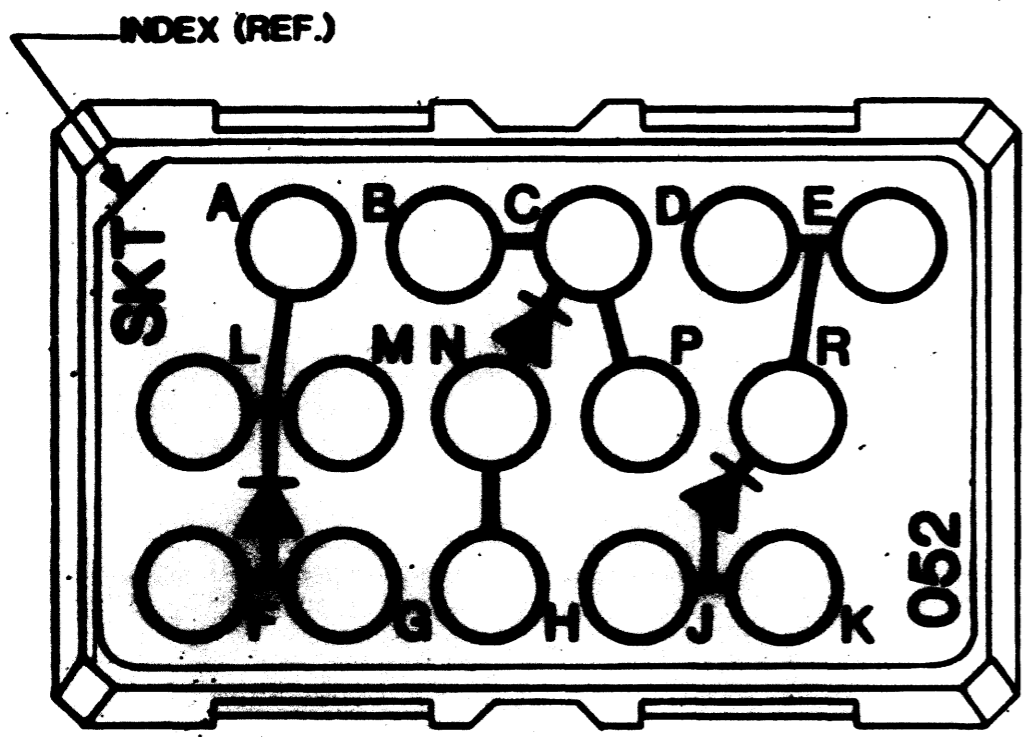


CTJ420E052

REVISIONS			
SYM	DESCRIPTION	DATE	APPROVED
N/C	NEW RELEASE PER E.O.92357	11/19/82	J. H.



11. COMPONENTS: DIODES ARE JANTX IN5618. DIODES ARE TESTED FOR OPEN AND SHORT CONDITION.
10. THIS ASSEMBLY CONFORMS TO AFLC 8827830-4 SPEC.
9. SOCKET CONTACTS MEET THE REQUIREMENTS OF MIL-C-30028/22-192.
8. JUNCTION ELECTRONIC COMPONENT TEMPERATURE RANGE: -67°F TO 302°F (-55°C TO 200°C).
7. MATERIALS AND FINISHES:
 HOUSING - THERMO PLASTIC / BRONMET - SILICONE ELASTOMER.
 PIN CONTACTS - COPPER ALLOY PLATED GOLD
6. REQUIRED CONTACT TOOL NO. M10079-20.
5. SEE ENVELOPE DRAWING NO. CTJ-84444 FOR SUITABLE RAIL ASSEMBLIES.
4. FOR CONTACT DATA SEE ENVELOPE DRAWING 1025-1-0000.
3. CTJ420E 052-~~1118~~ MODIFICATION
 CREDIT ARRANGEMENT
 BASIC IDENTIFIER.
2. THE CIRCUIT IDENTIFICATION WILL BE SCREENED ON JUNCTION.

NOTE: 1. DIMENSIONS ARE IN INCHES UNLESS OTHERWISE SPECIFIED.

SIGNATURE & DATE		JUNCTION ASSEMBLY ELECTRONIC COMPONENT SIZE 12 SIZE 20 CONTACTS 052 ARRANGEMENT ENVELOPE	CP	MATL CODE 16	
DR	<i>Frank McMillan</i> 11-10-82		The Deutch Company ELECTRONIC COMPONENTS DIVISION Municipal Airport Banning, California		
CHK	<i>Steve Holt</i> 11/19/82		B	CTJ420E052	
PE	<i>E. Kanning</i> 11-10-82			DWG SIZE	CODE 11128
APPD	<i>John K...</i> 11/23/82				
SCALE	NONE	WT			