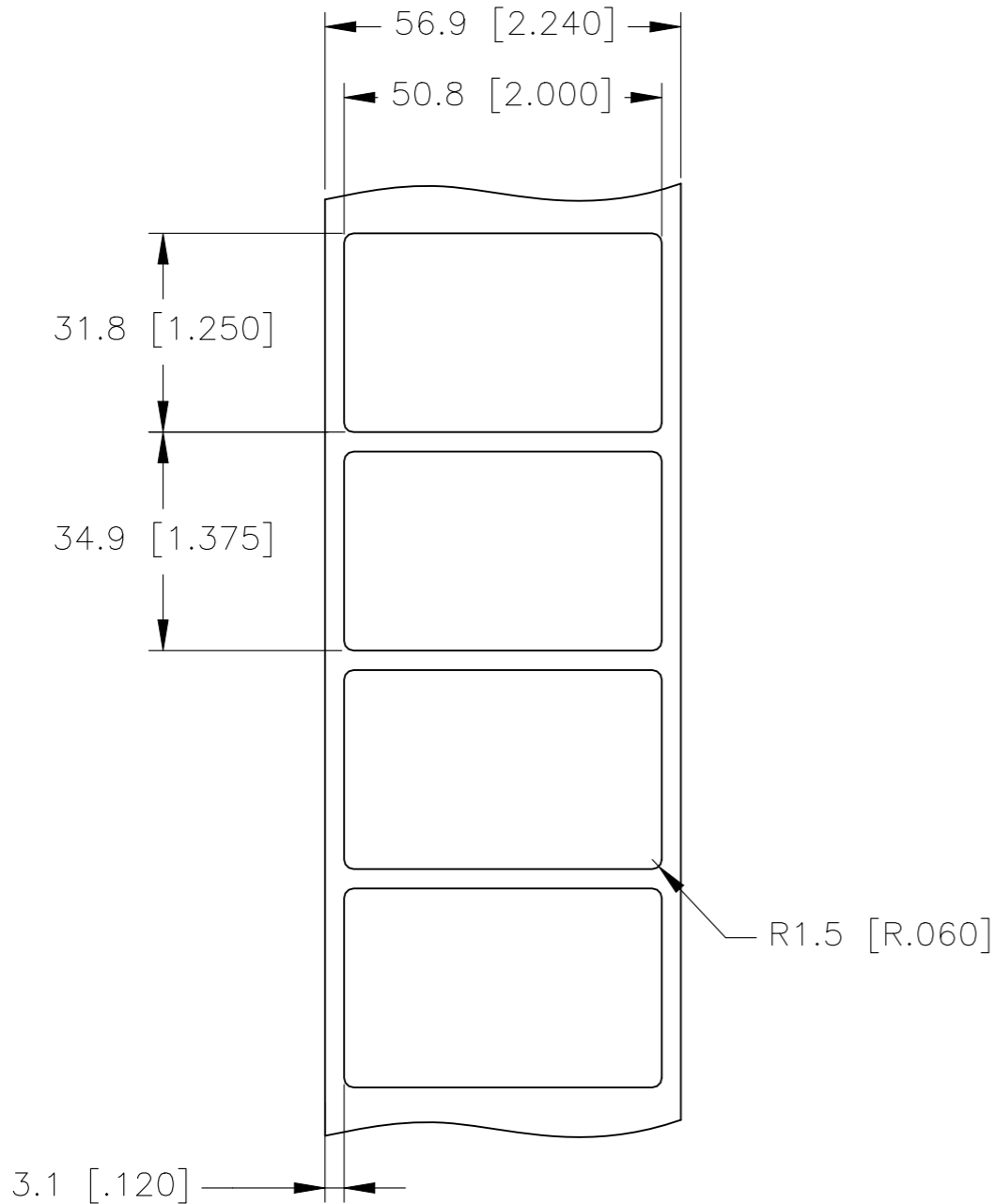
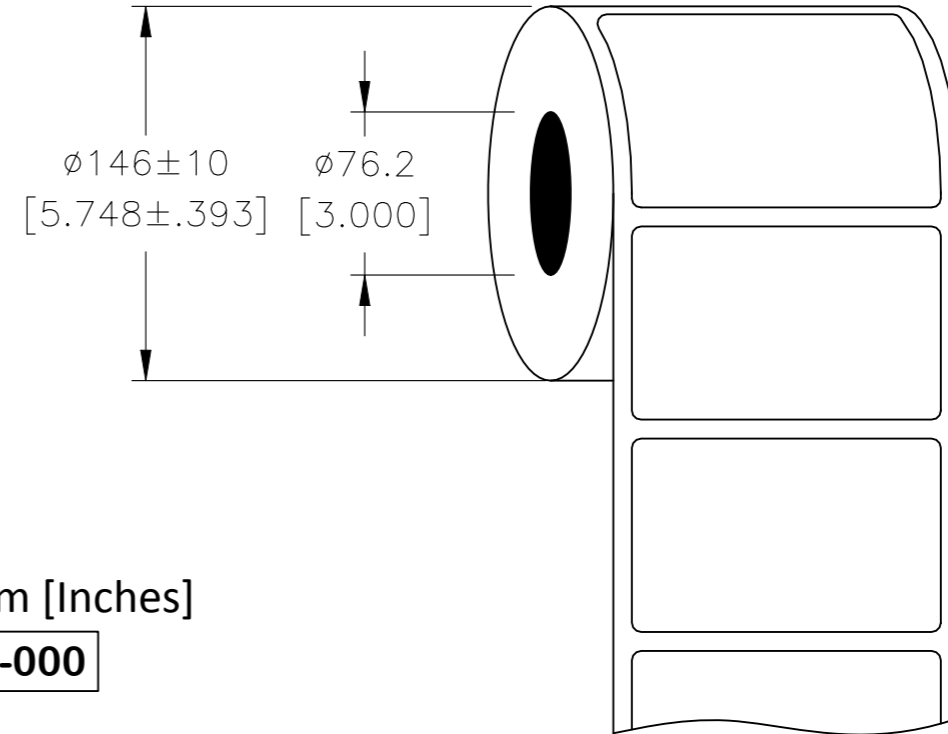


P	LTR	DESCRIPTION	DATE	DWN	APVD
	B	INITIAL RELEASE	15FEB2021	GK	MN

### LABEL AND LINER DESIGN



### PRESENTATION



All dimensions in mm [Inches]

**TE PN: F41633-000**

**OUTSIDE WOUND  
LABEL ACROSS: 1  
PER ROLL QTY: 2500**

MATERIAL	CLEAR POLYESTER
ADHESIVE TYPE	PERMANENT ACRYLIC
LINER	GLASSINE PAPER

TOLERANCES mm [INCH]	
LABEL HEIGHT:	±0.3 [.012]
LABEL WIDTH:	±0.3 [.012]
WEB WIDTH:	±0.8 [.031]
VERTICAL REPEAT:	±0.8 [.031]*
HORIZONTAL REPEAT:	±0.8 [.031]*
PRINT POSITIONING:	±0.8 [.031]*
LEFT MARGIN:	±0.4 [.016]
QUANTITY:	-0 % +2 %
*NON ACCUMULATING	

THIS DRAWING IS A CONTROLLED DOCUMENT.	
DIMENSIONS: mm [INCHES]	TOLERANCES UNLESS OTHERWISE SPECIFIED:
	0 PLC ± -
	1 PLC ± -
	2 PLC ± -
	3 PLC ± -
	4 PLC ± -
MATERIAL SEE TABLE	FINISH -

DWN GOPALAKRISHNA HV 15FEB2021	TE Connectivity			
CHK MIKE NUTTALL 15FEB2021				
APVD MIKE NUTTALL 15FEB2021	NAME CP-508318-2.5-X			
PRODUCT SPEC TTDS-083	-			
APPLICATION SPEC -	SIZE A3	CAGE CODE C2290	DRAWING NO CP-508318-2.5-X	RESTRICTED TO -
WEIGHT 0.131g	CUSTOMER DRAWING		SCALE NTS	SHEET 1 OF 1
		REV B		