

4

3

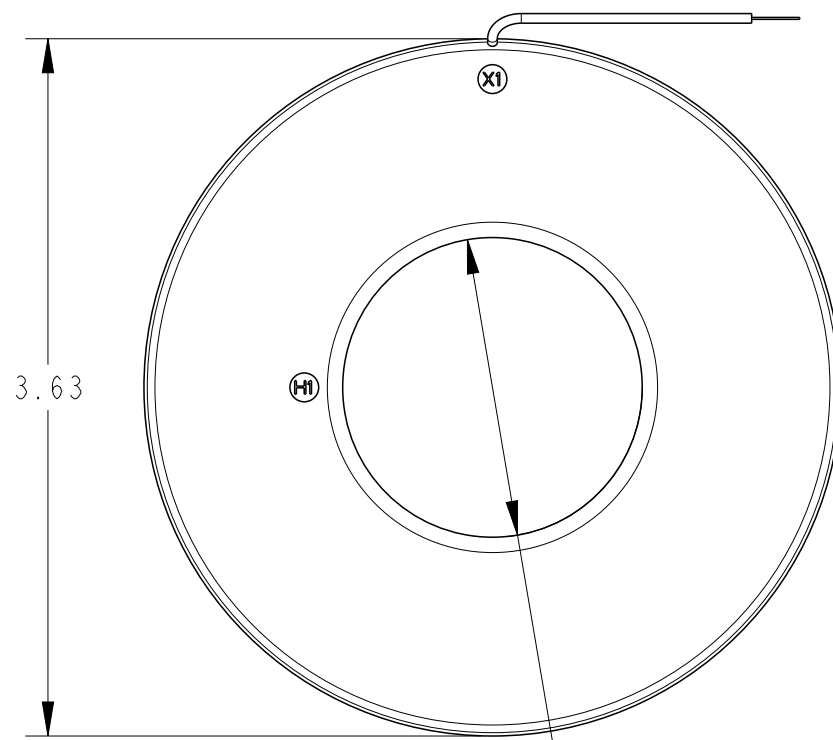
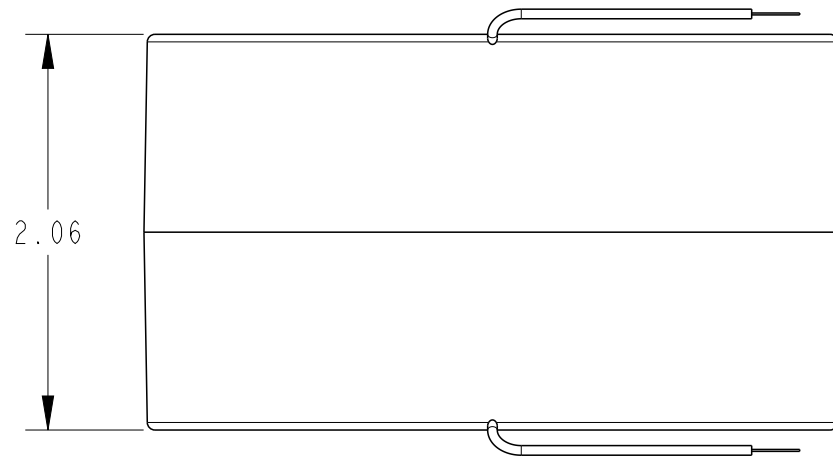
2

1

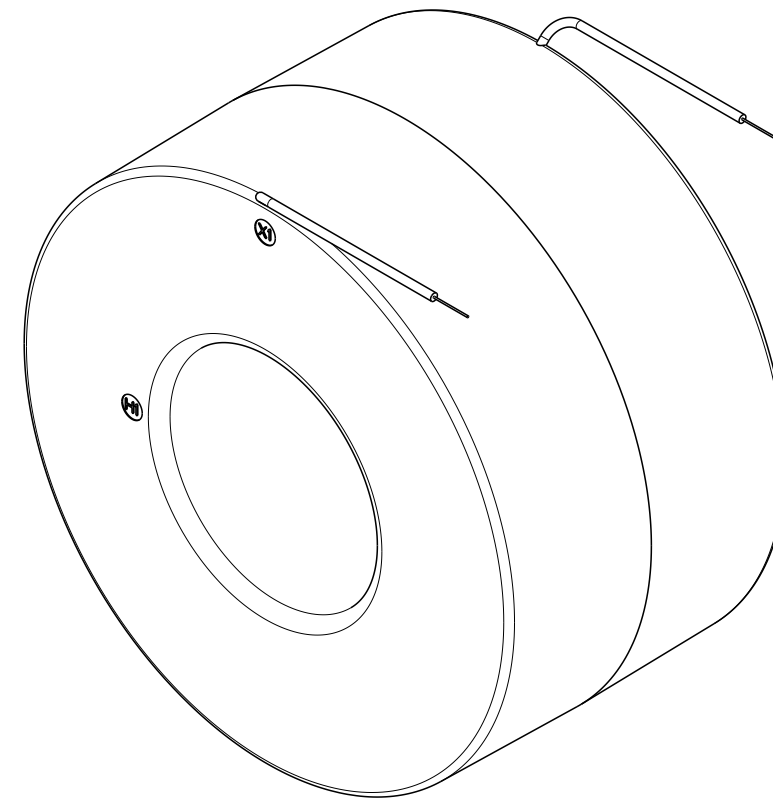
© 2020 TE Connectivity. All Rights Reserved.

REVISIONS

P	LTR	DESCRIPTION	DATE	DWN	APVD
I		NEW LAYOUT	09JUN2020	SB	NJ



Ø 1.56



THIS DRAWING IS A CONTROLLED DOCUMENT.

DIMENSIONS:	TOLERANCES UNLESS OTHERWISE SPECIFIED:
in	0 PLC ±-
	1 PLC ±-
	2 PLC ±-
	3 PLC ±-
	4 PLC ±-
	ANGLES ±-

MATERIAL TBD

DWN	09JUN2020
CHK	09JUN2020
APVD	09JUN2020
PRODUCT SPEC	-
APPLICATION SPEC	-
WEIGHT	-
FINISH	-

SHRICHARANA B
 NIGEL JOHNSON
 NIGEL JOHNSON

ANSI CT - MODEL 5DRL
 DIMENSIONAL DRAWING



TE Connectivity

NAME
 PRODUCT SPEC
 APPLICATION SPEC
 WEIGHT
 CUSTOMER DRAWING

SIZE	CAGE CODE	DRAWING NO	RESTRICTED TO
A3	00779	C=C1-3L51901	-
SCALE	SHEET	OF	REV
1:1			