

THIS DRAWING IS UNPUBLISHED.

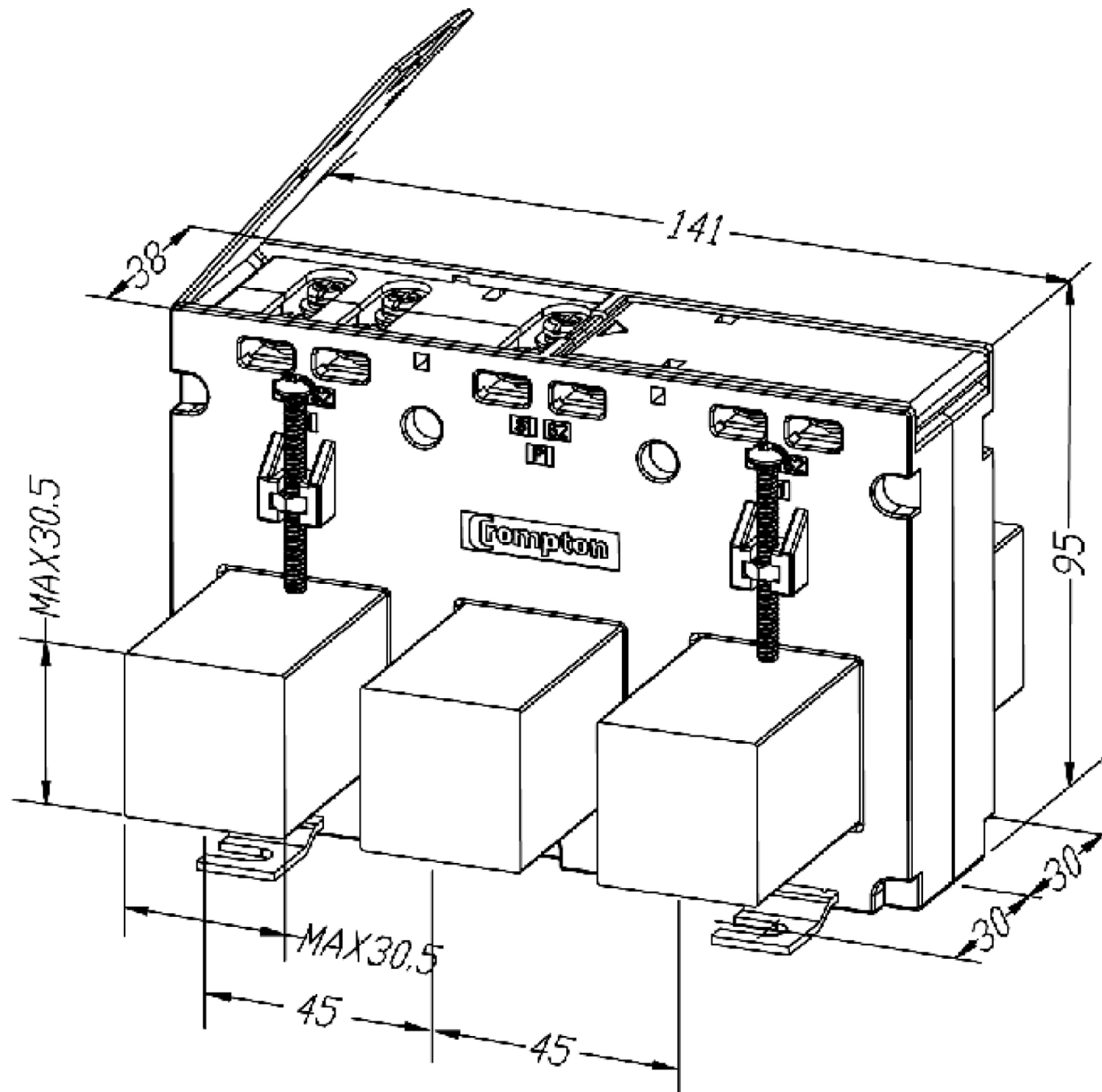
RELEASED FOR PUBLICATION


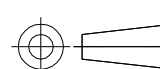
REVISIONS

© COPYRIGHT - TE Connectivity Ltd.

ALL RIGHTS RESERVED.

P	LTR	DESCRIPTION	DATE	DWN	APVD
1		NEW LAYOUT	18FEB2020	SG	NJ



THIS DRAWING IS A CONTROLLED DOCUMENT.		DWN	18FEB2020		 TE Connectivity
		CHK	18FEB2020		
		APVD	18FEB2020		
		PRODUCT SPEC			
DIMENSIONS: mm 		TOLERANCES UNLESS OTHERWISE SPECIFIED: 0 PLC ± - 1 PLC ± - 2 PLC ± - 3 PLC ± - 4 PLC ± - ANGLES ± -		NAME M3N1-45 3 IN 1 CURRENT TRANSFORMER	
MATERIAL		FINISH		APPLICATION SPEC WEIGHT SIZE CAGE CODE DRAWING NO RESTRICTED TO A3 00779 C=CI-3L45901 -	
CUSTOMER DRAWING				SCALE	SHEET
				NTS	1 OF 1
				REV	1