

4

3

2

1

THIS DRAWING IS UNPUBLISHED.

RELEASED FOR PUBLICATION

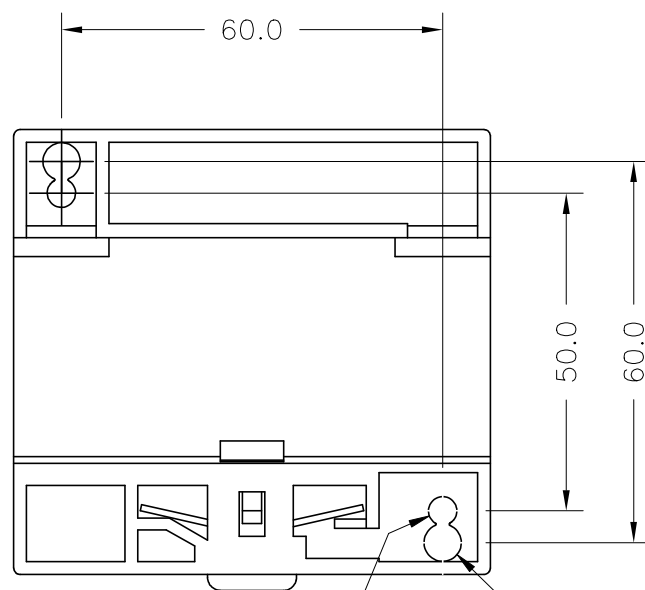
- , -

REVISIONS

© COPYRIGHT - TE Connectivity Ltd.

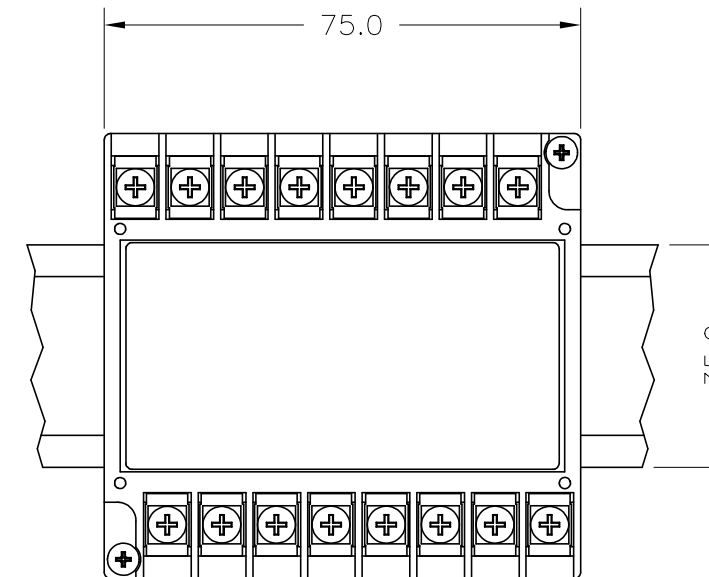
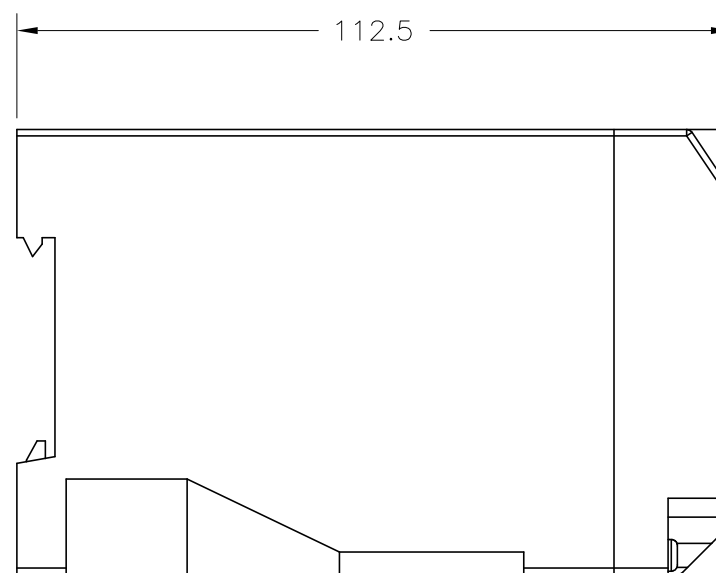
ALL RIGHTS RESERVED.

P	LTR	DESCRIPTION	DATE	DWN	APVD
1		NEW LAYOUT	10FEB2020	SG	NJ




2-OFF "A" FIXING HOLES TO SUIT M4

2-OFF "B" FIXING HOLES TO SUIT M5



DIN RAIL RELEASE CLIP

NOTE
VIEW ON BASE SHOWS
PANEL MOUNTING HOLES

THIS DRAWING IS A CONTROLLED DOCUMENT.		DWN SANDEEP G 10FEB2020	 TE Connectivity	
DIMENSIONS: mm		CHK NIGEL JOHNSON 10FEB2020		
TOLERANCES UNLESS OTHERWISE SPECIFIED:		APVD NIGEL JOHNSON 10FEB2020	NAME LINE DRAWING 253 SERIES INSTRUMENT	
0 PLC ± - 1 PLC ± 0.5 2 PLC ± 0.1 3 PLC ± - 4 PLC ± - ANGLES ± -		PRODUCT SPEC -	SIZE A3	
MATERIAL -		FINISH -	APPLICATION SPEC -	CAGE CODE 00779
		WEIGHT -	DRAWING NO CI-3845201	RESTRICTED TO -
CUSTOMER DRAWING			SCALE NTS	SHEET 1 OF 1
			REV 1	