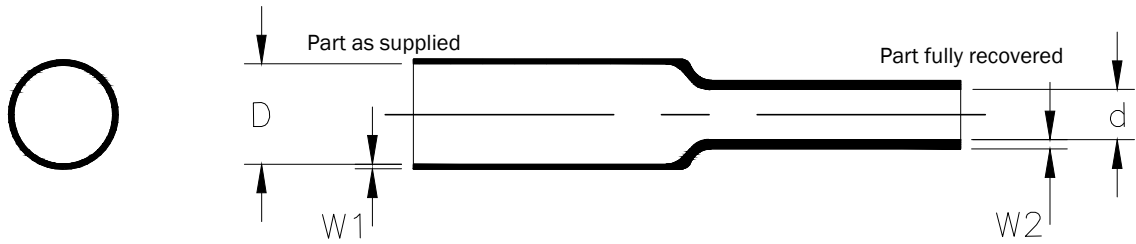


REVISIONS					
P	LTR	DESCRIPTION	DATE	DWN	APVD
	A	INITIAL RELEASE	07JAN2019	RS	HD



TUBING DIMENSIONS METRIC

Size	As Supplied (mm)		As Recovered (mm)	
	Inside Diameter	Wall Thickness	Inside Diameter	Wall Thickness
	D	nominal W1	maximum d	minimum W2
0.6	0.95 ± 0.25	0.1	0.3	0.25
0.8	1.2 ± 0.25	0.1	0.4	0.25
1.0	1.4 ± 0.25	0.1	0.5	0.25
1.5	1.9 ± 0.25	0.1	0.75	0.25
2.0	2.3 ± 0.25	0.1	1.0	0.26
2.5	2.8 ± 0.25	0.15	1.25	0.28
3.0	3.3 ± 0.25	0.15	1.5	0.28
3.5	3.8 ± 0.25	0.15	1.75	0.28
4.0	4.4 ± 0.25	0.15	2.0	0.28
6.0	6.5 ± 0.4	0.15	3.0	0.33
8.0	8.5 ± 0.4	0.15	4.0	0.33
9.0	9.5 ± 0.4	0.15	4.5	0.33
10.0	10.5 ± 0.5	0.15	5.0	0.33
12.0	12.9 ± 0.5	0.15	6.0	0.33
18.0	19.2 ± 0.6	0.2	9.0	0.46
25.0	26.4 ± 1.0	0.2	12.5	0.46

MATERIAL: SWFR X4 is a 125°C, 300 volt, VW-1 rated, UL recognized and CSA certified tubing meeting the requirements of UL 224. It is fabricated from Zerohal flame-retarded crosslinked modified flexible polyolefin.


COLOR: Black

RELEASED FOR PUBLICATION APR , 2016.

ALL RIGHTS RESERVED.

© COPYRIGHT 2016 TE Connectivity

THIS DRAWING IS UNPUBLISHED.

DIMENSIONS: mm	DWN	RS	07JAN2019	MATERIAL	-	FINISH	-					
	CHK	HD	07JAN2019	 TE Connectivity								
TOLERANCES UNLESS OTHERWISE SPECIFIED:	APVD	HD	07JAN2019					NAME	SWFR X4 BLACK SINGLE WALL HEAT SHRINKABLE TUBING			
	0 PLC ± -	PRODUCT SPEC		SIZE	A4	CAGE CODE	C-SWFR_X4_BLACK	DRAWING NO	RESTRICTED TO	-		
1 PLC ± -	APPLICATION SPEC		WEIGHT	CUSTOMER DRAWING			SCALE	NTS	SHEET	1 OF 1	REV	A
2 PLC ± -												
3 PLC ± -												
4 PLC ± -												
ANGLES ± -												