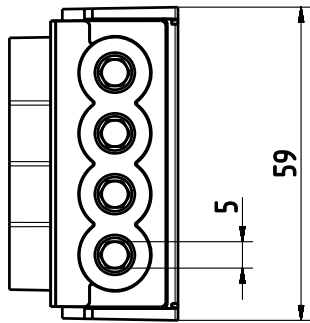
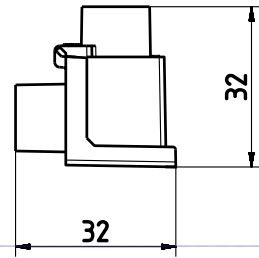
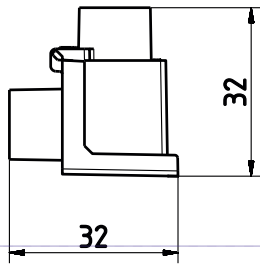
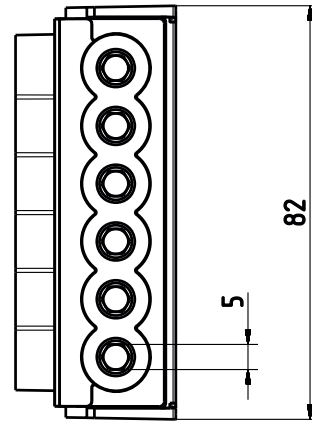


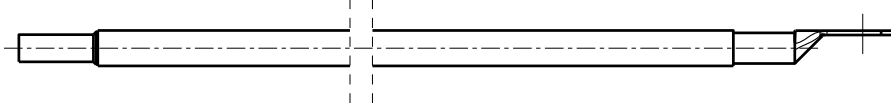
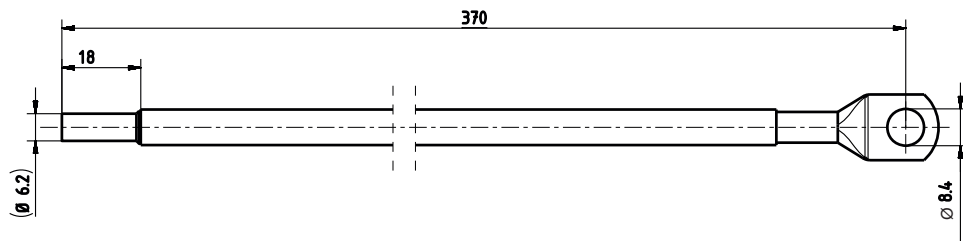
Copying of the document and giving it to other and the use or communication of the contents thereof, are forbidden without express authority. Offenders are liable to the payment of damages. All rights are reserved in the event of the grant of a patent or the registration of a utility model or design.



3x



1x



1x H07VK, 16mm²

Customer Drawing							
				2020	DATE	NAME	GURO-BCS-4
				DRAWN	21.01.	Valerius	
				CHECKED			
				TE connectivity		Tyco Electronics Raychem GmbH Werk Berlin	NAMING: CD-473-BCS4
REV.	MODIFICATION	DATE	N.	CD-473-BCS4.cdr CAD NO.:			DRAWING NO.:
1							REPLACEMENT FOR: