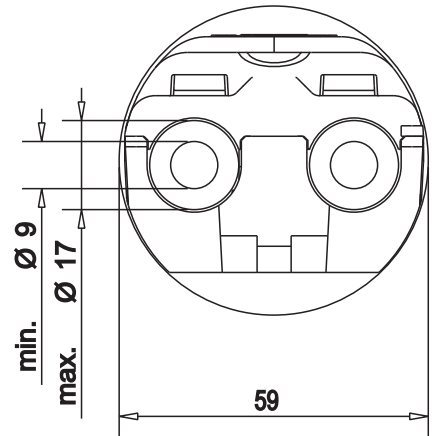
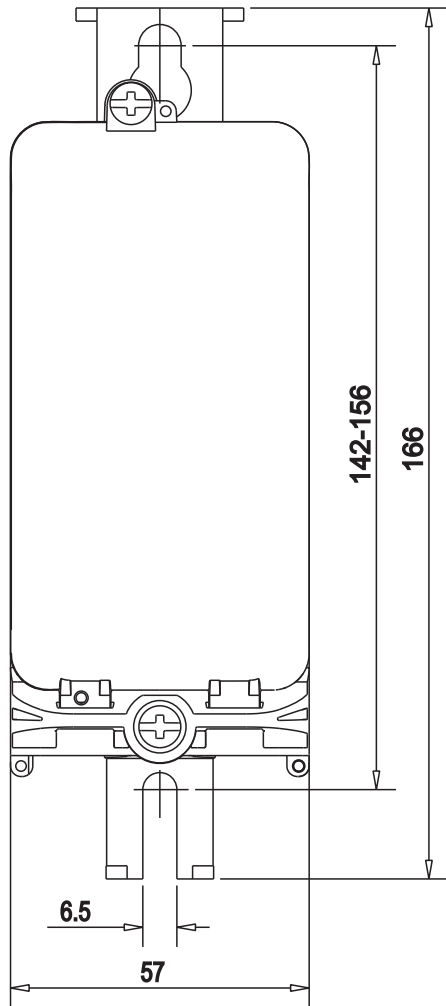



Copying of the document and giving it to other and the use or communication of the contents thereof, are forbidden without express authority. Offenders are liable to the payment of damages. All rights are reserved in the event of the grant of a patent or the registration of a utility model or design.



Customer Drawing									
				2020	DATE	NAME	EKM-2045-FN		
	DRAWN	21.01.	Valerius	NAMING:					
	CHECKED								
REV.	MODIFICATION	DATE	N.	 Tyco Electronics Raychem GmbH Werk Berlin		DRAWING NO.:			
1				CD-457-EKM-2045-FN.cdr		REPLACEMENT FOR:			
				CAD NO.:					