

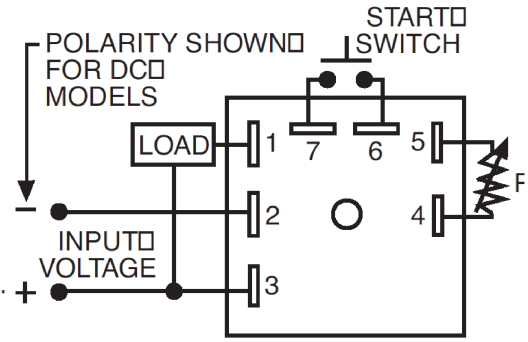
REVISIONS				
P	LTR	DESCRIPTION	DATE	APVD
	A	INITIAL RELEASE	14AUG2019	DH

Ordering Information

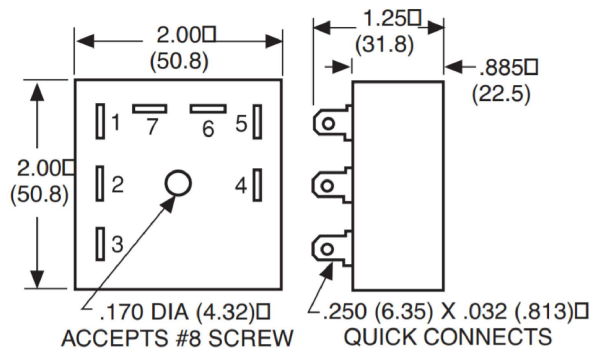
VTM4
 Series VTM4
 One Shot
 (Latching Interval)
 Timing Module

A
 Input Voltage
 A = 120VAC
 E = 24VAC/VDC
 Q = 12VAC/VDC

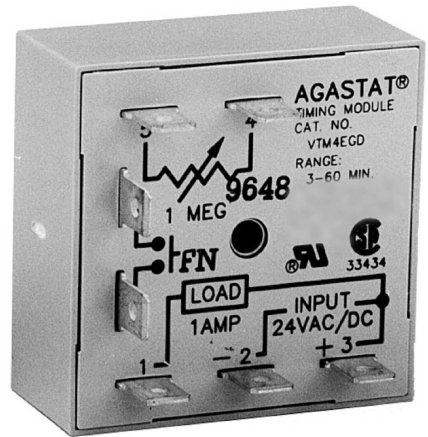
CD
 Time Range
 CD = 0.5 - 10 sec.
 DD = 3 - 60 sec.
 FD = 0.5 - 10 min.
 GD = 3 - 60 min.



Wiring Diagram



Outline Dimensions



ALL DIMENSIONS ARE IN INCHES(MM).

THIS DRAWING IS A CONTROLLED DOCUMENT.		DWN VM 14AUG2019	TE Connectivity Ltd.	
		CHK RV 14AUG2019		
		APVD DH 14AUG2019		
		PRODUCT SPEC		
DIMENSIONS: INCHES		TOLERANCES UNLESS OTHERWISE SPECIFIED:		NAME
		0 PLC ± -		VTM4 SERIES, ONE SHOT (LATCHING INTERVAL), TIMING MODULE
		1 PLC ± -		
		2 PLC ± -		
		3 PLC ± -		
		4 PLC ± -		
ANGLES ± -		APPLICATION SPEC		SIZE
MATERIAL		FINISH		CAGE CODE
-		-		DRAWING NO
		WEIGHT		RESTRICTED TO
		-		A3 -
		CUSTOMER DRAWING		C=VTM4-SERIES SCALE NTS SHEET 1 OF 1 REV A