

THIS DRAWING IS UNPUBLISHED.

RELEASED FOR PUBLICATION

REVISIONS

© COPYRIGHT - TE Connectivity Ltd.

ALL RIGHTS RESERVED.

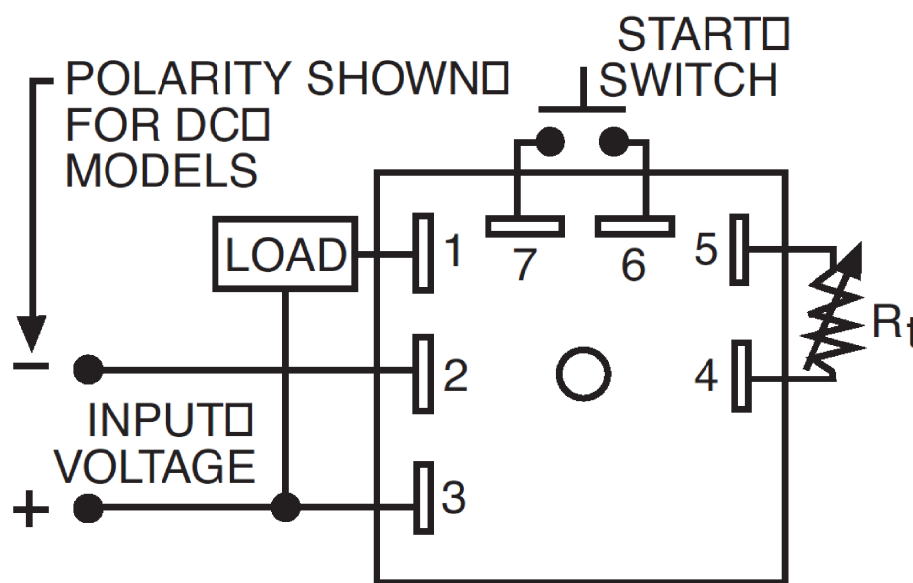
P	LTR	DESCRIPTION	DATE	DWN	APVD
	A	INITIAL DRAWN	13AUG2019	RV	DH

### Ordering Information

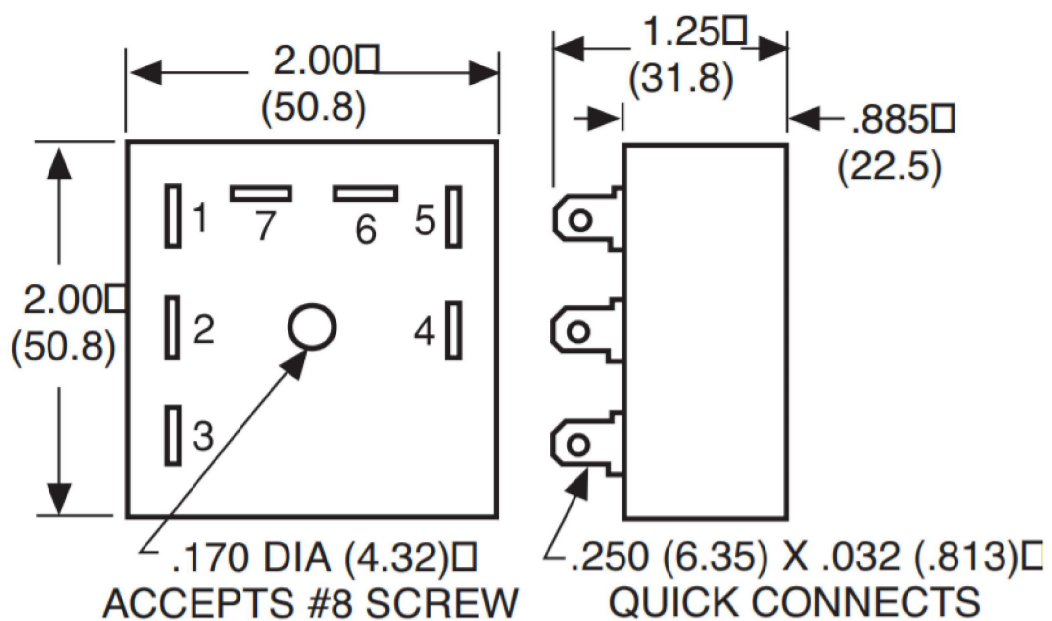
**VTM2**  
|  
**Series VTM2**  
Off-Delay  
Timing Module

**A**  
|  
**Input Voltage**  
A = 120VAC  
E = 24VAC/VDC  
Q = 12VAC/VDC

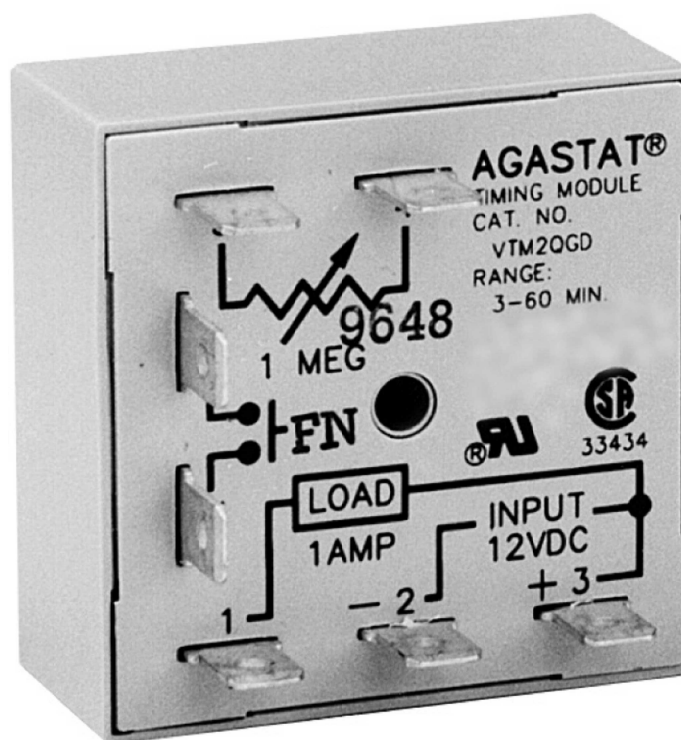
**CD**  
|  
**Time Range**  
CD = 0.5 - 10 sec.  
DD = 3 - 60 sec.  
GD = 3 - 60 min.



### Wiring Diagram



### Outline Dimensions



ALL DIMENSIONS ARE IN INCHES(MM).

THIS DRAWING IS A CONTROLLED DOCUMENT.		DWN	13AUG2019	TE Connectivity Ltd.	
		CHK	13AUG2019		
		APVD	13AUG2019		
DIMENSIONS: INCHES 		TOLERANCES UNLESS OTHERWISE SPECIFIED: 0 PLC ± - 1 PLC ± - 2 PLC ± - 3 PLC ± - 4 PLC ± - ANGLES ± -		NAME VTM2 SERIES, OFF-DELAY, TIMING MODULE	
MATERIAL		FINISH		PRODUCT SPEC APPLICATION SPEC SIZE A3	
				CAGE CODE DRAWING NO C=VTM2-SERIES	
				RESTRICTED TO WEIGHT CUSTOMER DRAWING	
				SCALE NTS	
				SHEET 1 of 1	
				REV A	