

REVISIONS

P	LTR	DESCRIPTION	DATE	DWN	APVD
1		INITIAL DRAWING	10JUL2020	RV	JR

**Product Facts for RK61A and RK61B**

- SF-6 gas-filled relay excellent for capacitive discharge applications
- Widely used in test equipment and medical instruments
- Fully operable in air and suitable for adverse environments

**RK61C Product Facts for RK61C**

- 35 kV rating in compact, durable package
- SF-6 gas-filled relay excellent for capacitive discharge applications
- SPDT version of K61

**Product Specifications for RK61A, RK61B and RK61C**

**Contact Arrangement** —

- RK61A — SPST-NO
- RK61B — STST-NC
- RK61C — SPDT

**Contact Form** —

- RK61A — A
- RK61B — B
- RK61C — C

**Test Voltage, DC or 60 Hz (Peak)** — 40 kV

**Rated Operating Voltage (Peak)** — DC or 60 Hz — 35 kV

**Continuous Carry Current, Max.** — DC or 60 Hz — 10 A  
Coil Hi-Pot (Vrms, 60 Hz) — 500 A

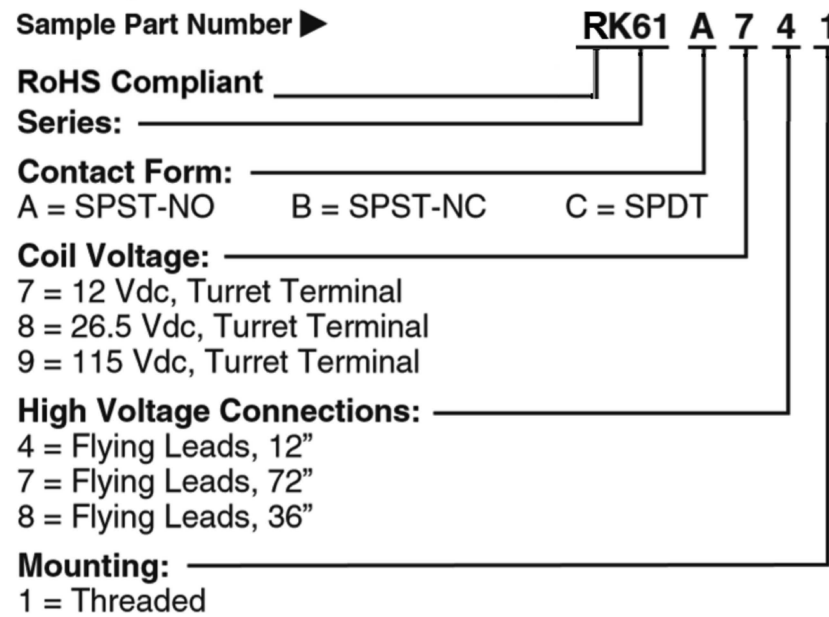
**Contact Resistance, Max.** — 1.0 ohm\*

**Operate Time, Max.** — 15 ms

**Release Time, Max.** — 15 ms

**Shock, 11ms, 1/2 Sine (Peak)** — 20 g

**Ordering Information**



**Coil Data**

Volts, Nominal DC	12 V	26.5 V	115 V
Pickup, Max.	9 Vdc	18 Vdc	90 Vdc
Dropout	.5-5 Vdc	1-10 Vdc	5-50 Vdc
Coil Resistance (±10%)	30 Ω	125 Ω	2000 Ω

Ratings listed are for 25°C, sea level conditions

**Vibration** —

Peak — 10 g (55 to 500 Hz)

**Operating Ambient Temperature Range** — -55°C to +85°C

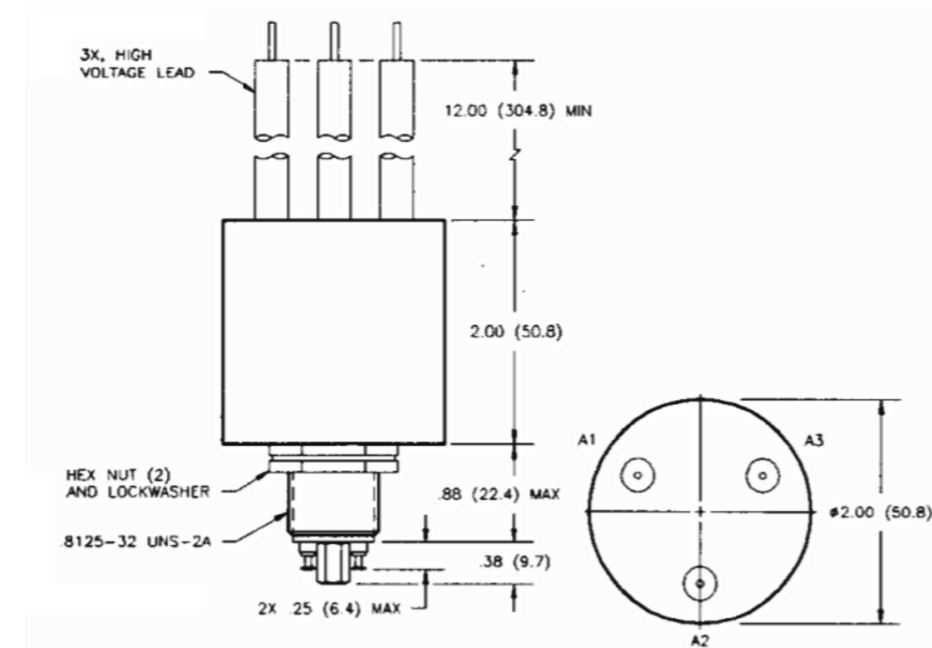
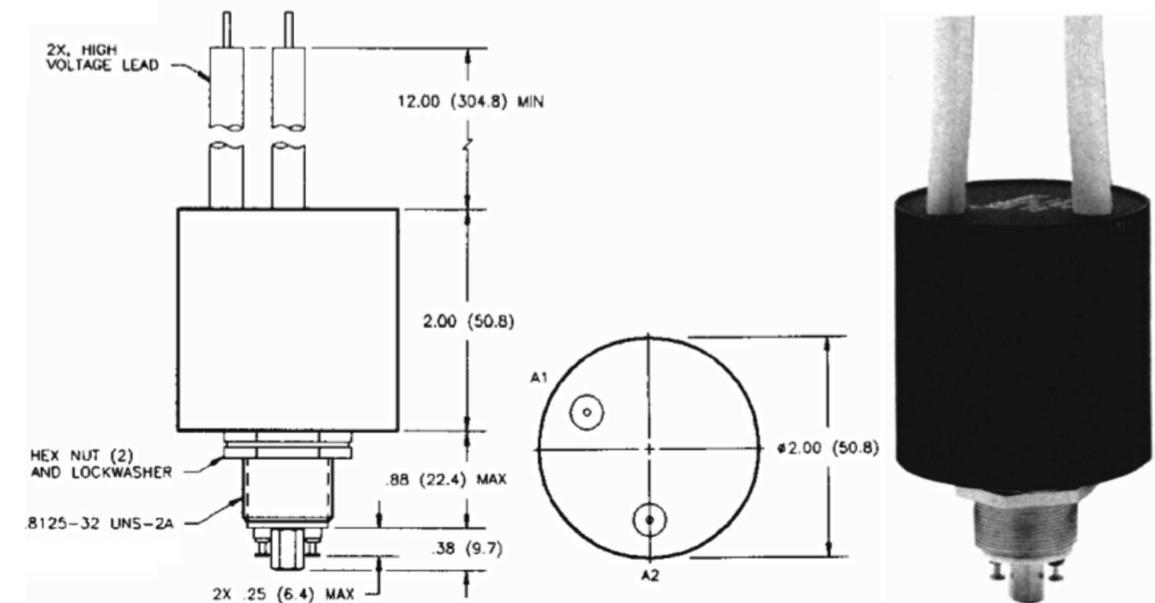
Range — -55°C to +85°C

**Mechanical Life** — 1 million cycles

**Weight, Nominal** — 340 g (12 oz.)

**Note:**

\*Contact resistance for gas-filled relays measured at 28 Vdc, 1 Amp



ALL DIMENSIONS ARE IN INCHES(MM)

THIS DRAWING IS A CONTROLLED DOCUMENT.		DWN	RV	10JUL2020	 TE Connectivity	NAME	RK61-RELAY, PRESSURIZED, SPDT									
DIMENSIONS: INCHES		CHK	VR	10JUL2020			PRODUCT SPEC	SIZE	CAGE CODE	DRAWING NO	RESTRICTED TO					
TOLERANCES UNLESS OTHERWISE SPECIFIED:		APVD	JR	10JUL2020								APPLICATION SPEC	A3	-	C-RK61-SERIES	-
0 PLC ± - 1 PLC ± - 2 PLC ± - 3 PLC ± - 4 PLC ± - ANGLES ± -		WEIGHT		SCALE												
MATERIAL		FINISH		CUSTOMER DRAWING		NTS		1 OF 1		1						