

THIS DRAWING IS UNPUBLISHED.

RELEASED FOR PUBLICATION

REVISIONS

© COPYRIGHT - TE Connectivity Ltd.

ALL RIGHTS RESERVED.

P	LTR	DESCRIPTION	DATE	DWN	APVD
	A	INITIAL DRAWING	20SEP2019	VM	RS

### Performance Data

#### Electrical Characteristics

Contact Arrangement — SPDT

Contact Rating @ 28 Vdc —

0.25 Amp

Lamp Load @ 28 Vdc —

0.10 Amp

Rated Operating Voltage — 28 Vdc

Sensing Current Rating — 15 Amps

DC, continuous, max.

Pickup Max. —

3.2 Amps DC

Dropout Min. — 1.2 Amps

#### General Characteristics

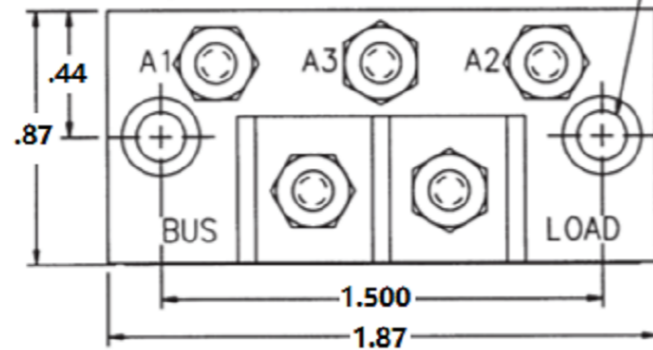
Temperature Range —

-55°C to +85°C

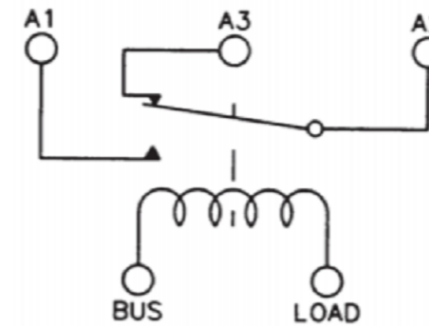
Altitude, Max. — 50,000 ft

Weight, Max. — 1.25 oz

.166 DIA HOLE, C' BORE  
.265 DIA X .12 DEEP  
2 MTG HOLES



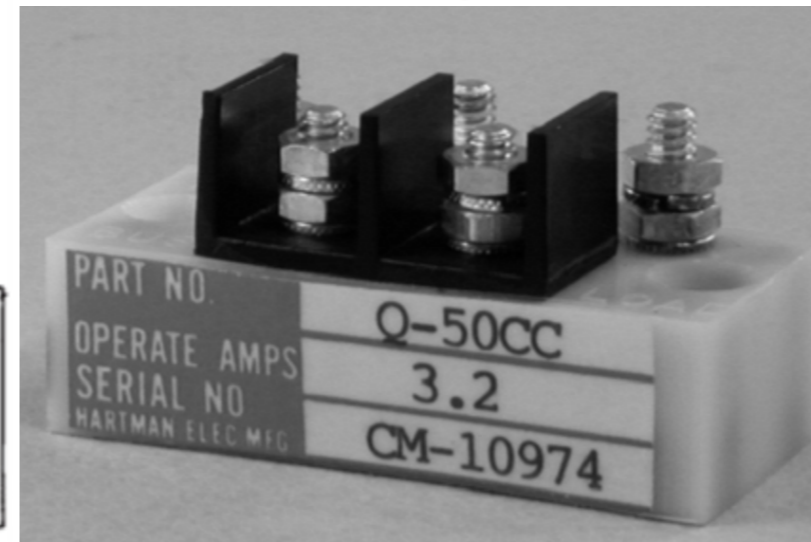
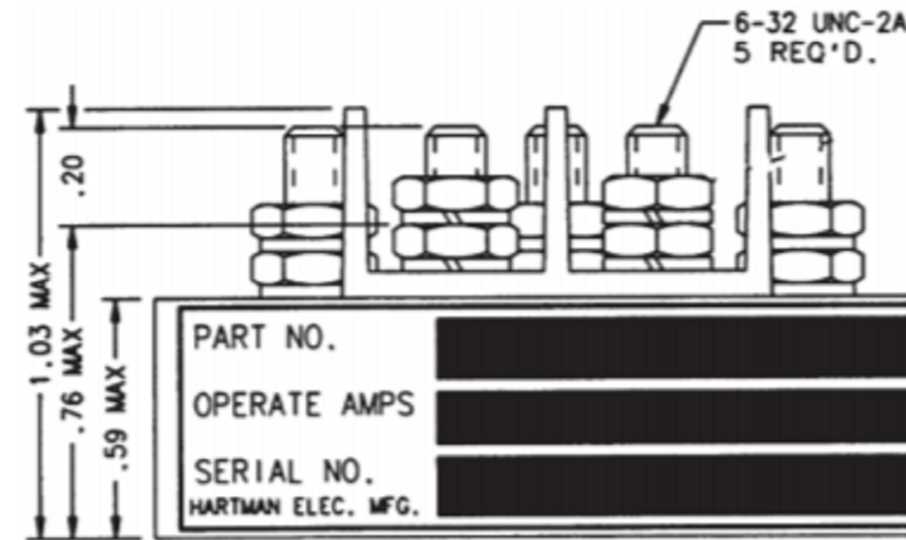
Circuit Configurations (Consult factory for other available circuit configurations)



Circuit Configuration 1

### Product Facts

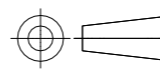
- SPDT
- Environmentally sealed
- Meets many requirements of MIL-PRF-6106



HARTMAN Part Number	Construction Type	Mounting Style	Duty Cycle	Circuit Config.	TE Part Number
Q-50CC	Environmentally Sealed	A	Continuous	1	1616131-7

THIS DRAWING IS A CONTROLLED DOCUMENT.

DIMENSIONS:  
INCHES



TOLERANCES UNLESS OTHERWISE SPECIFIED:

- 0 PLC ± -
- 1 PLC ± -
- 2 PLC ± -
- 3 PLC ± -
- 4 PLC ± -
- ANGLES ± -

MATERIAL

FINISH

DWN 20SEP2019

VM

CHK 20SEP2019

RV

APVD 20SEP2019

RS

PRODUCT SPEC

APPLICATION SPEC

WEIGHT

CUSTOMER DRAWING



NAME Q-50CC-(FAA/PMA)-RELAY

SIZE A3 CAGE CODE - DRAWING NO C-Q-50CC-SERIES RESTRICTED TO -

SCALE NTS SHEET 1 OF 1 REV A