

P	LTR	DESCRIPTION	DATE	DWN	APVD
	A	INITIAL DRAWN	15NOV2019	RV	MB

Standard Coil Data

Nom. Coil Voltage (Vdc)	Coil Resistance in Ohms ±10% @ 25°C	Pickup Voltage Vdc (Max.) @ 25°C	Pickup Voltage Vdc (Max.) @ 125°C	Pickup Voltage Vdc (Min.) @ 25°C	Pickup Voltage Vdc (Min.) @ -65°C	Nom. Coil Power (mW) @ 25°C	Max. Coil Voltage	Coil Desig.
5.0	45	2.7	3.8	1.6	1.0	556	6.7	5
6.0	63	3.25	4.5	2.0	1.3	571	8.0	6
12.0	254	6.5	9.0	4.0	2.6	567	16.0	12
26.5	1,000	13.0	18.0	8.0	5.2	702	32.0	24
48.0	3,800	26.0	36.0	16.0	10.4	606	64.0	48

Ordering Instructions

Catalog-selected Relays: The catalog number is derived by choosing the proper CODE for each of the six characteristics in the order in which the codes are listed.

Specifying a Part Number Example:

Type LS **Mountings** BW- **Contacts** 2C- **Coils** 24 **Terminals** B

Electrical Characteristics

Contact Arrangement — 2 Form C (DPDT)

Contact Material — Stationary — Gold plated hardened silver alloy

Moveable — Gold plated hardened silver alloy

Contact Resistance — Before Life — 50 milliohms max. (measured at 10 mA @ 6 Vdc) After Life — 100 milliohms max. (measured @ 2 A @ 28 Vdc)

Mechanical Life Expectancy — 1 million operations min.

Coil Voltage — 5 to 48 Vdc

Coil Power — 1.0 watts max.

Duty Cycle — Continuous

Pick-up Voltage — Approximately 50% of nominal coil voltage

Pick-up Sensitivity — 170 mW

Contact Ratings

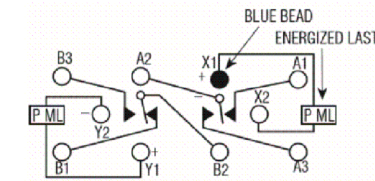
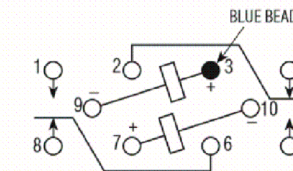
Contact Load	Type	Operations Min.
2 A @ 28 Vdc	Resistive	100,000
0.3 A @ 115 Vac, 60 Hz & 400 Hz	Resistive	100,000
0.75 A @ 28 Vdc	Inductive (200mH)	100,000
0.1 A @ 28 Vdc	Intermediate	50,000
0.160 A @ 28 Vdc	Lamp	100,000
30 µA @ 50 mVdc	Low Level	1,000,000

RF Performance

Frequency (MHz)	RF Losses (dB)	VSWR	Isolation (dB)
100	0.1	1.15:1	38
500	0.3	1.19:1	31
1000	0.6	1.32:1	45

LS Magnetic Latching Half Size High Performance Relay

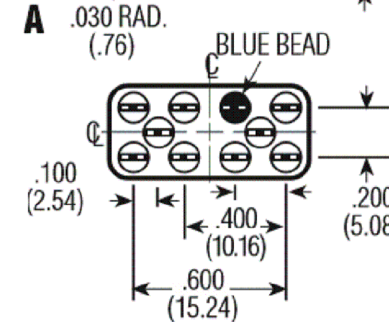
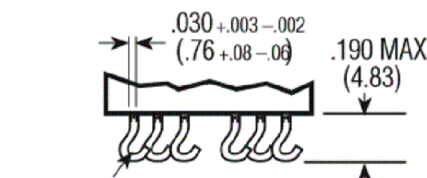
DESIGNED to MIL-R-39016/45



Terminal View

Standard Schematic Contacts will switch from the indicated position when either coil is energized with polarity as shown.

MIL-R-39016/45 SCHEMATIC Contacts will switch from the indicated position when either coil is energized with polarity as shown.



LS Terminals

Product Facts

- Hermetically sealed
- Up to 2 amps switching
- High shock & vibration ratings
- Optional terminals & mounting styles
- Latching design

Operating Characteristics

Timing — Set-Reset Time — 5.0 ms max.

Contact Bounce — 2.0 ms max.

Dielectric Withstanding Voltage — Between Open Contacts — 500 Vrms 60 Hz Between Adjacent Contacts — 1000 Vrms 60 Hz Between Contacts and Coil — 1000 Vrms 60 Hz

Insulation Resistance — 10,000 megohms min. @ 500 Vdc

Environmental Characteristics

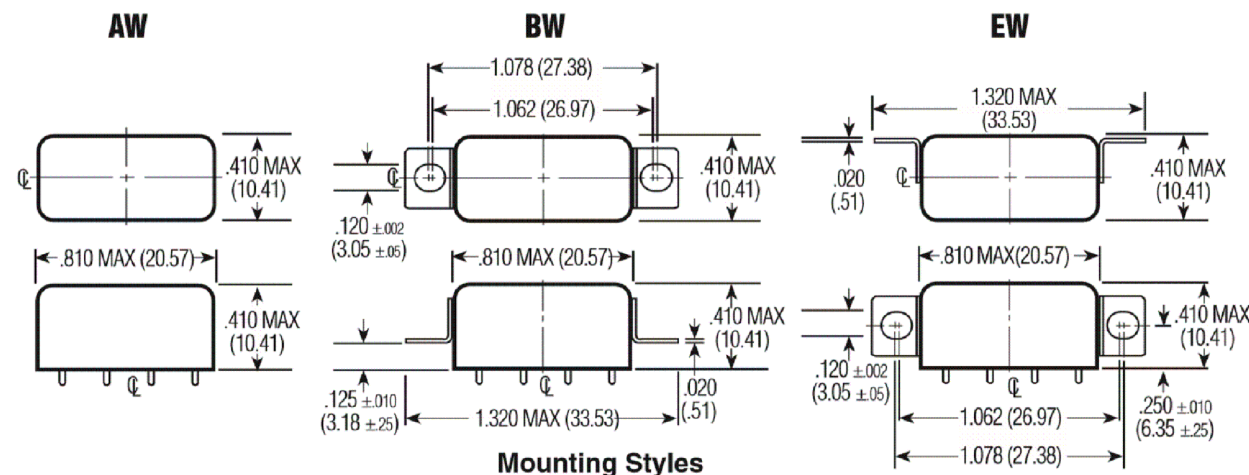
Temperature Range — -65°C to +125°C

Weight — .46 oz (13 gms) max.

Vibration Resistance — Standard — 20 G's, 10 to 2,000 Hz QPL Equiv. — 30 G's, 10 to 2,500 Hz

Shock Resistance — 100 G's, 6 ±1 ms

QPL Equivalent — MIL-R-39016/45



ALL DIMENSIONS ARE IN INCHES(MM).

THIS DRAWING IS A CONTROLLED DOCUMENT.		DWN	RV	15NOV2019	TE Connectivity															
<table border="1"> <tr> <td>DIMENSIONS:</td> <td>TOLERANCES UNLESS OTHERWISE SPECIFIED:</td> </tr> <tr> <td>INCHES</td> <td></td> </tr> <tr> <td>0 PLC</td> <td>± -</td> </tr> <tr> <td>1 PLC</td> <td>± -</td> </tr> <tr> <td>2 PLC</td> <td>± -</td> </tr> <tr> <td>3 PLC</td> <td>± -</td> </tr> <tr> <td>4 PLC</td> <td>± -</td> </tr> <tr> <td>ANGLES</td> <td>± -</td> </tr> </table>		DIMENSIONS:	TOLERANCES UNLESS OTHERWISE SPECIFIED:	INCHES					0 PLC	± -	1 PLC	± -	2 PLC	± -	3 PLC	± -	4 PLC	± -	ANGLES	± -
DIMENSIONS:	TOLERANCES UNLESS OTHERWISE SPECIFIED:																			
INCHES																				
0 PLC	± -																			
1 PLC	± -																			
2 PLC	± -																			
3 PLC	± -																			
4 PLC	± -																			
ANGLES	± -																			
		APVD	MB	15NOV2019	NAME															
MATERIAL		PRODUCT SPEC			C-LS-BW-SERIES															
FINISH		APPLICATION SPEC			-															
-		WEIGHT			SIZE	CAGE CODE	DRAWING NO	RESTRICTED TO												
-		-			A3	-	C-LS-BW-SERIES	-												
CUSTOMER DRAWING		SCALE			NTS	SHEET	1 OF 1	REV												
								A												