

P	LTR	DESCRIPTION	DATE	DWN	APVD
	1	INITIAL DRAWING	26AUG2019	VM	MP

Ordering Information

Sample Part Number ►

Series: **K81 A 3 3 5**

Contact Form: **A = SPST-NO B = SPST-NC**

Coil Voltage: **2 = 12 Vdc, PC Board 3 = 26.5 Vdc, PC Board**
5 = 115 Vdc, PC Board

A = 12 Vdc, Stud Terminals, Panel Mount
B = 26.5 Vdc, Stud Terminals, Panel Mount
C = 115 Vdc, Stud Terminals, Panel Mount

High Voltage Connections: **A* = PCB Solder Connection — 20 Amp**
3 = PCB Solder Connection — 5 Amp
4 = Flying Leads 5 = Stud Terminals

Mounting: **5 = PC Board 7 = Panel Mount**

Product Specifications

Contact Arrangement —

K81A — SPST-NO
K81B — SPST-NC

Contact Form —
K81A — A
K81B — B

Test Voltage, DC or 60 Hz (Peak) —
11 kV

Rated Operating Voltage (Peak) —
DC or 60 Hz — 10 kV

Continuous Carry Current, Max. —
DC or 60 Hz — 5 A, 20 A or 30 A¹
Coil Hi-Pot (Vrms, 60 Hz) — N/A

Contact Resistance, Max. —
0.03 ohm

Operate Time, Max. — **10 ms**

Release Time, Max. — **10 ms**

Shock, 11ms, 1/2 Sine (Peak) —
30 g

Vibration —
Peak — 10 g (55 to 500 Hz)

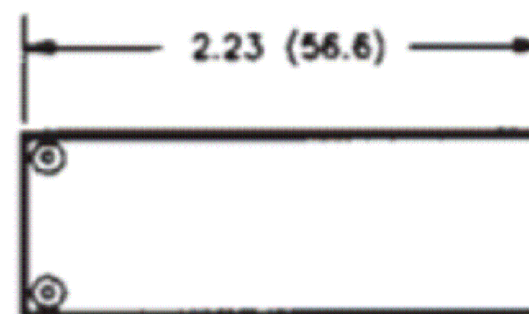
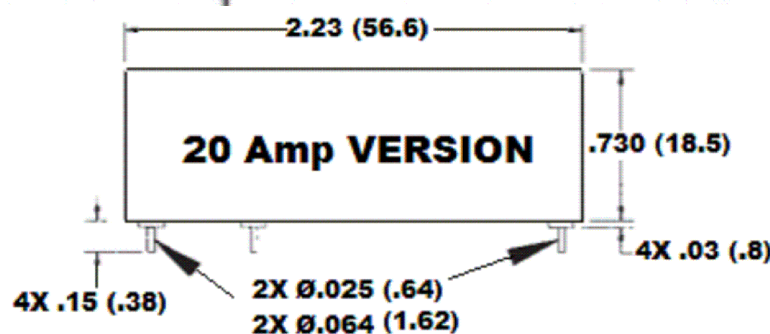
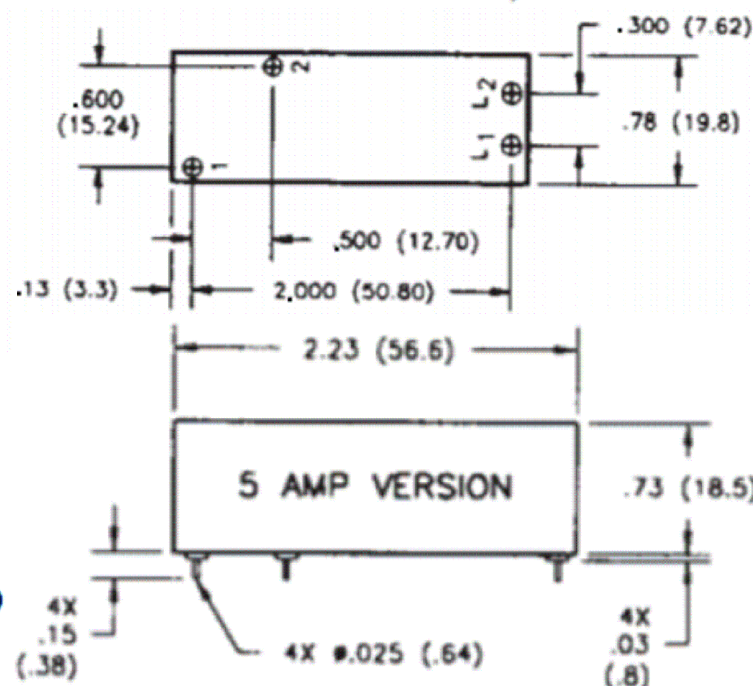
Operating Ambient Temperature
Range — **-55°C to +85°C**

Mechanical Life
— **2 million cycles**

Weight, Nominal —
56.7 g (2 oz.)

Notes:

1. PC pin versions carry 5 or 20 Amps, see part number at right. Flying lead and panel versions carry 30 Amp.
- *Power terminal on 20 Amp version is a larger diameter than on the 5 Amp version (.025 = 5 Amp, .064 = 20 Amp)



ALL DIMENSIONS ARE IN INCHES(MM)

Coil Data

Volts, Nominal DC	12 V	26.5 V	115 V
Pickup, Max.	8 Vdc	16 Vdc	80 Vdc
Dropout	.5-5 Vdc	1-10 Vdc	5-50 Vdc
Coil Resistance (±10%)	70 Ω	290 Ω	4700 Ω

Ratings listed are for 25°C, sea level conditions

THIS DRAWING IS A CONTROLLED DOCUMENT.

DIMENSIONS:	TOLERANCES UNLESS OTHERWISE SPECIFIED:
INCHES	
0 PLC	± -
1 PLC	± -
2 PLC	± -
3 PLC	± -
4 PLC	± -
ANGLES	± -
MATERIAL	FINISH
-	-

DWN	VM	26AUG2019
CHK	RV	26AUG2019
APVD	MP	26AUG2019
PRODUCT SPEC	-	
APPLICATION SPEC	-	
WEIGHT	-	
CUSTOMER DRAWING		

DWN		26AUG2019	TE Connectivity	
CHK		26AUG2019		
APVD		26AUG2019		
NAME			K81 SERIES MAKE AND BREAK LOAD SWITCHING	
SIZE	CAGE CODE	DRAWING NO	RESTRICTED TO	
A3	-	©-K81-SERIES	-	
SCALE		NTS	SHEET	1 OF 2
REV		1		

THIS DRAWING IS UNPUBLISHED.

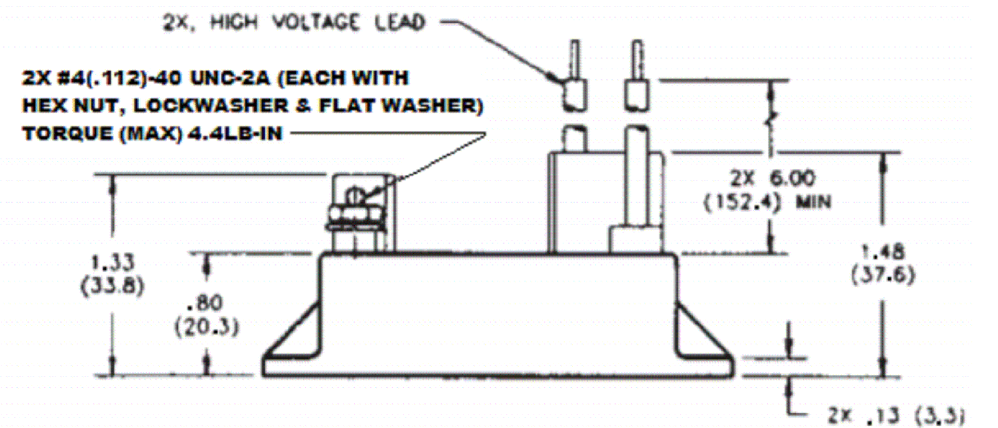
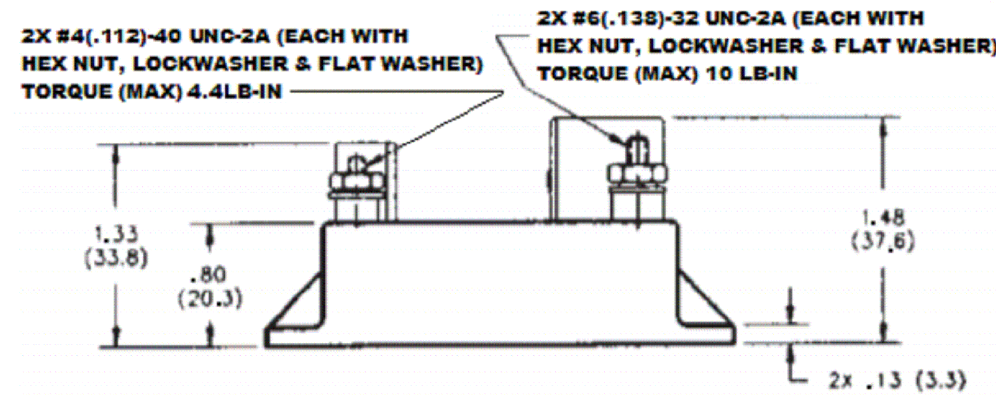
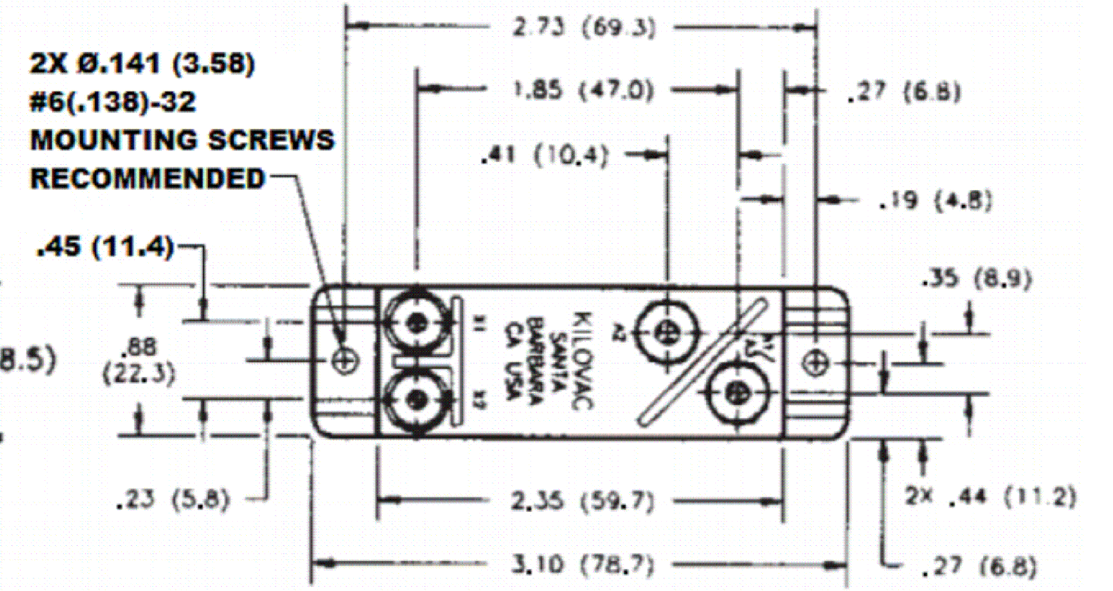
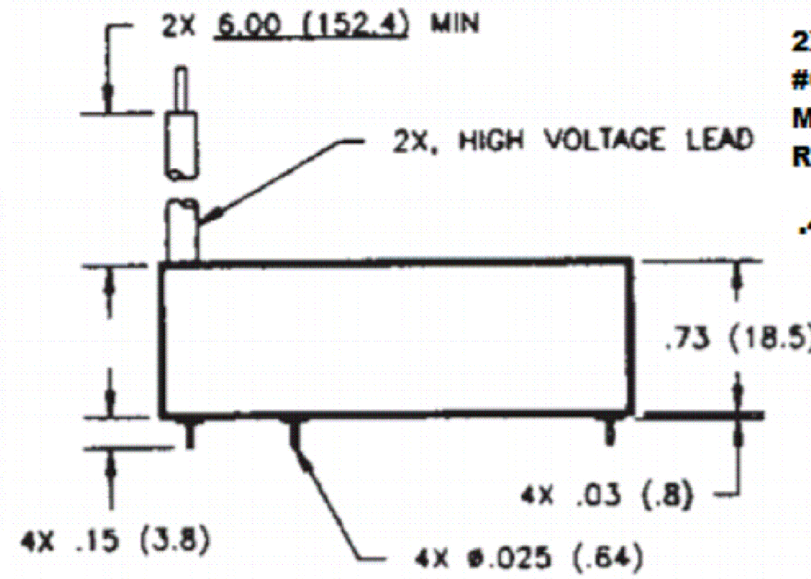
RELEASED FOR PUBLICATION

REVISIONS


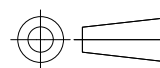
© COPYRIGHT - TE Connectivity Ltd.

ALL RIGHTS RESERVED.

P	LTR	DESCRIPTION	DATE	DWN	APVD
-	-	SEE SHEET 1	-	-	-



ALL DIMENSIONS ARE IN INCHES(MM)

THIS DRAWING IS A CONTROLLED DOCUMENT.		DWN VM 26AUG2019	 TE Connectivity			
		CHK RV 26AUG2019				
DIMENSIONS: INCHES 		TOLERANCES UNLESS OTHERWISE SPECIFIED: 0 PLC ± - 1 PLC ± - 2 PLC ± - 3 PLC ± - 4 PLC ± - ANGLES ± -		NAME K81 SERIES MAKE AND BREAK LOAD SWITCHING		
MATERIAL -		FINISH -		PRODUCT SPEC - APPLICATION SPEC - WEIGHT -	SIZE A3 CAGE CODE - DRAWING NO C-K81-SERIES	RESTRICTED TO -
CUSTOMER DRAWING				SCALE NTS	SHEET 2 OF 2	REV 1