

THIS DRAWING IS UNPUBLISHED.

RELEASED FOR PUBLICATION

© COPYRIGHT - TE Connectivity Ltd.

ALL RIGHTS RESERVED.

REVISIONS

P	LTR	DESCRIPTION	DATE	DWN	APVD
	A	INITIAL DRAWING	05SEP2019	RV	JR

**K43A and K43B
Product Facts for
K43A and K43B**

- 10 kV, 25 Amps continuous current relay
- RF ratings to 32 MHz
- Vacuum dielectric for power switching low current loads
- 2 million cycle mechanical life
- QPL versions available, M83725/17 & M83725/10

**K43C
Product Facts for K43C**

- SPDT version of K43
- Vacuum dielectric for power switching low current loads
- Flange mounting available
- Carries 10 Amps at 32 MHz
- Meets requirements of MIL-R-83725
- QPL version available, M83725/16

**Product Specifications for
K43A, K43B and K43C**

Contact Arrangement —
 K43A — SPST-NO
 K43B — SPST-NC
 K43C — SPDT

Contact Form —
 K43A — A
 K43B — B
 K43C — C

Test Voltage, DC or 60 Hz (Peak) —
 11 kV

Rated Operating Voltage (Peak) —
 DC or 60 Hz — 10 kV
 2.5 MHz — 7 kV
 16 MHz — 6 kV
 32 MHz — 4 kV

Continuous Carry Current, Max. —
 DC or 60 Hz — 25 A
 2.5 MHz — 20 A
 16 MHz — 13 A
 32 MHz — 10 A
 Coil Hi-Pot (Vrms, 60 Hz) — 500 A

Contact Capacitance —
 Between Open Contacts — 1.2 pF
 Open Contacts to Ground — 1.2 pF

Coil Data

Volts, Nominal DC	12 V	26.5 V	115 V
Pickup, Max.	8 Vdc	16 Vdc	80 Vdc
Dropout	.5-5 Vdc	1-10 Vdc	5-50 Vdc
Coil Resistance (±10%)	70 Ω	290 Ω	4700 Ω

Ratings listed are for 25°C, sea level conditions

Contact Resistance, Max. —
 0.02 ohm

Operate Time, Max. — 10 ms

Release Time, Max. — 10 ms

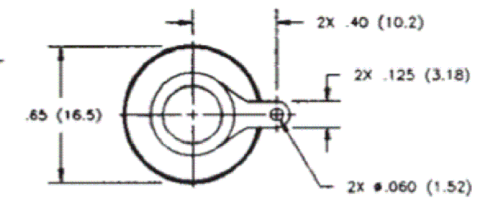
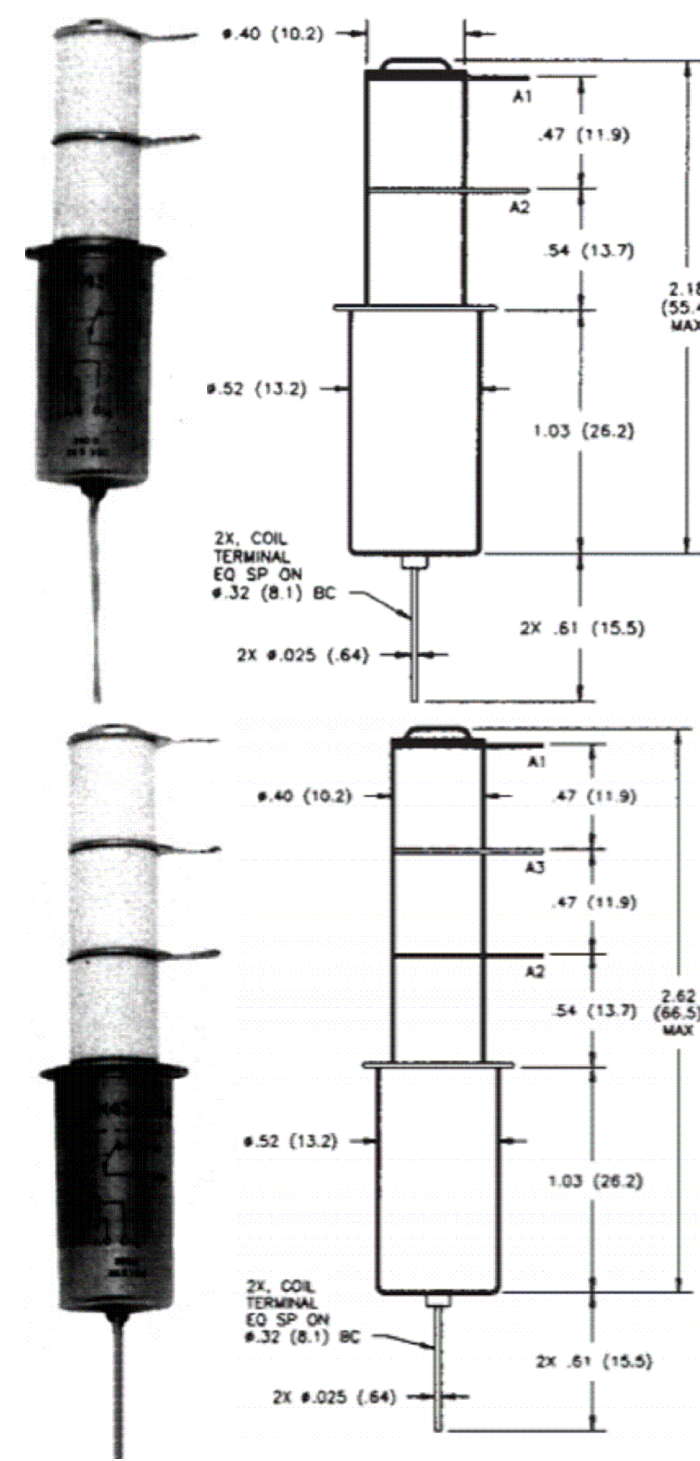
Shock, 11ms, 1/2 Sine (Peak) —
 50 g

Vibration —
 Peak — 10 g (55 to 2000 Hz)

Operating Ambient Temperature Range — -55°C to +125°C

Mechanical Life — 2 million cycles

Weight, Nominal —
 28.35 g (1 oz.)



Ordering Information

Sample Part Number → **K43 A 3 3 4**

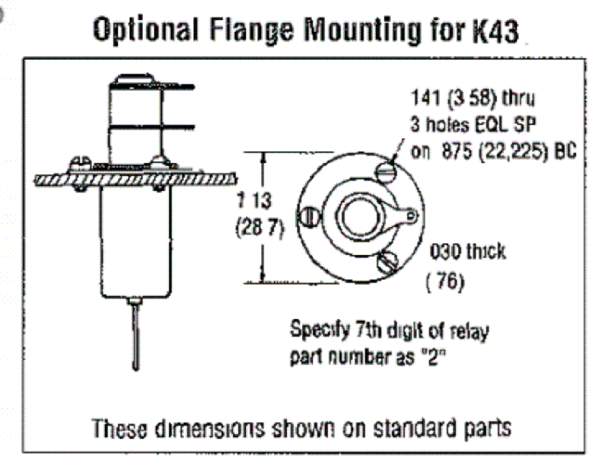
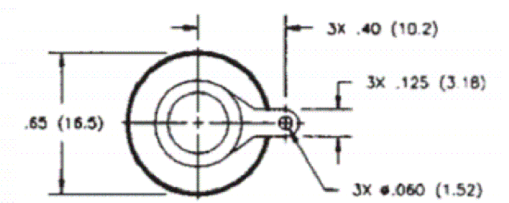
Series: _____

Contact Form: _____
 A = SPST-NO B = SPST-NC C = SPDT

Coil Voltage: _____
 2 = 12 Vdc, Bus Wire 3 = 26.5 Vdc, Bus Wire
 5 = 115 Vdc, Bus Wire 7 = 12 Vdc, Turret Terminal*
 8 = 26.5 Vdc, Turret Terminal*
 9 = 115 Vdc, Turret Terminal*

High Voltage Connections: _____
 3 = Solder Connection

Mounting*: _____
 2 = Flanged 4 = Standard



ALL DIMENSIONS ARE IN INCHES(MM)

THIS DRAWING IS A CONTROLLED DOCUMENT.		DWN RV	05SEP2019	TE Connectivity	
DIMENSIONS: INCHES		CHK RV	05SEP2019		
TOLERANCES UNLESS OTHERWISE SPECIFIED:		APVD JR	05SEP2019	NAME	
0 PLC ± -		PRODUCT SPEC		K43 SERIES MAKE AND BREAK LOAD SWITCHING	
1 PLC ± -		APPLICATION SPEC		-	
2 PLC ± -		-		SIZE	A3
3 PLC ± -		MATERIAL		CAGE CODE	-
4 PLC ± -		FINISH		DRAWING NO	Ⓒ-K43-SERIES
ANGLES ± -		-		RESTRICTED TO	-
-		-		WEIGHT	-
-		-		CUSTOMER DRAWING	
-		-		SCALE	NTS
-		-		SHEET	1 OF 1
-		-		REV	A