

P	LTR	DESCRIPTION	DATE	DWN	APVD
	A	INITIAL DRAWN	30AUG2019	RV	TN

Ordering Information

Sample Part Number **D100X**

Model: L-L Volts

- D100X = 120 VAC
- D100-6X = 120 VAC, Spike Suppression
- D100-3X = 208 VAC
- D100-4X = 240 VAC
- D100-8X = 277 VAC
- D100-5X = 480 VAC
- D100-7X = 510 VAC

- Height
- 2" 2"
 - 3.125" 3.125"
 - 3.125" 3.125"
 - 3.125" 3.125"
 - 3.125" 3.125"

Product Specifications

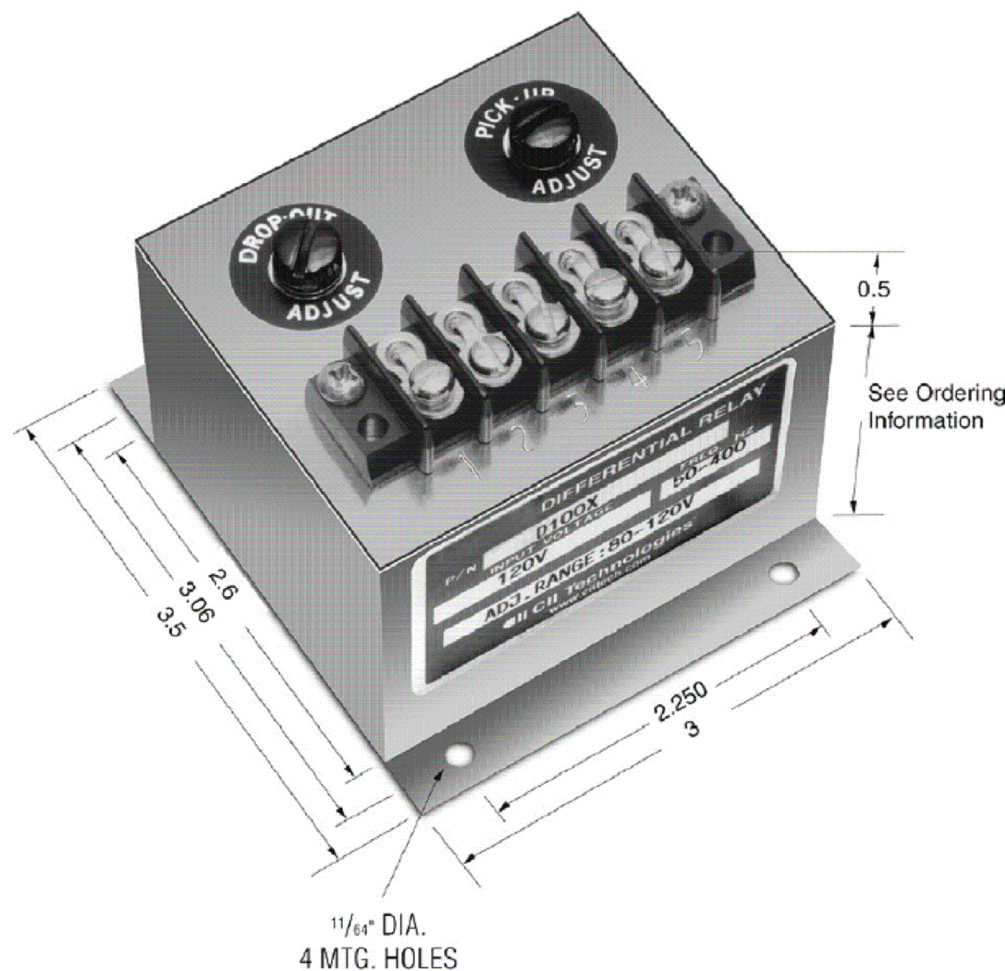
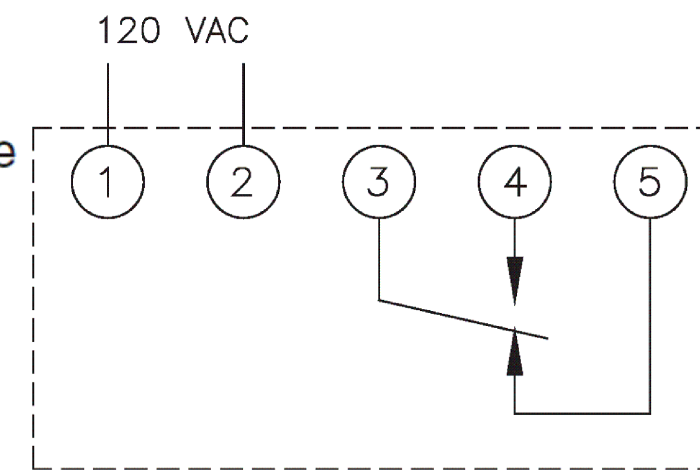
- Nominal Voltage** — AC, Single Phase, see Ordering Information
- Nominal Frequency** — 50 to 400 Hz.
- Pick-Up Adjustment Range** — 67-100% of nominal voltage
- Drop-Out Adjustment Range** — 67-100% of nominal voltage
- Maximum Differential Setting** — 33% of nominal voltage
- Minimum Differential Setting** — 2% of nominal voltage
- Output Contacts** — Form C (SPDT)
- Contact Ratings** — 5 Amp resistive at 120 VAC or 28 VDC
- Operating Temperature Range** — -20°C to +85°C
- Expected Life** — 10 million operations

Inverse Time Drop-Out — The differential relay contains a time delay before operation so that momentary voltage transients do not affect the operation of the relay. The time delay has an inverse time characteristic so that excessive voltage conditions will cause a more rapid drop-out. This time delay is approximately 200mSec. (12 cycles) at the trip settings and decreases to 30 mSec. at approximately 15% beyond the trip settings.

Close Differential Relays are voltage sensitive. The pick-up and drop-out voltage settings are independently adjustable, which allows precise setting of the differential voltage. This relay is available in a wide range of AC and DC voltages. Their primary application is the sensing and control of transfer switches.

Operation
Monitors a single phase AC signal, and is used for undervoltage detection. Has separate pick-up and drop-out voltage settings, providing an adjustable hysteresis.

- Notes:**
1. Remove black nylon protective screws to gain access to the two internal adjustment potentiometers.
 2. Clockwise rotation of the pick-up and drop-out adjustment will raise the voltage trip point.
 3. The relay contacts are shown in the de-energized state.



ALL DIMENSIONS ARE IN INCHES

THIS DRAWING IS A CONTROLLED DOCUMENT.		DWN RV 30AUG2019	TE Connectivity NAME: D100X SERIES CLOSE DIFFERENTIAL SIZE: A3 CAGE CODE: - DRAWING NO: C-D100X-SERIES RESTRICTED TO: -		
DIMENSIONS: INCHES		CHK RV 30AUG2019			
TOLERANCES UNLESS OTHERWISE SPECIFIED:		APVD TN 30AUG2019			
0 PLC ± - 1 PLC ± - 2 PLC ± - 3 PLC ± - 4 PLC ± - ANGLES ± -		PRODUCT SPEC -			
MATERIAL -		FINISH -	APPLICATION SPEC -	SCALE: NTS	SHEET: 1 OF 1
CUSTOMER DRAWING			WEIGHT -	REV: A	