

THIS DRAWING IS UNPUBLISHED.

RELEASED FOR PUBLICATION

REVISIONS

© COPYRIGHT - TE Connectivity Ltd.

ALL RIGHTS RESERVED.

P	LTR	DESCRIPTION	DATE	DWN	APVD
	A	INITIAL DRAWING	26AUG2019	VM	MP

### Ordering Information

Sample Part Number ►

AP150 X B 5 7

**Series:** \_\_\_\_\_

**Contact Form:** \_\_\_\_\_  
X = SPST-NO Electrically Held

**Coil Voltage:** \_\_\_\_\_  
A = 12 Vdc, Stud Terminals, .138-32  
B = 28 Vdc, Stud Terminals, .138-32  
C = 120 Vdc, Stud Terminals, .138-32

**Power Terminals:** \_\_\_\_\_  
5 = Stud Terminals, .375-24

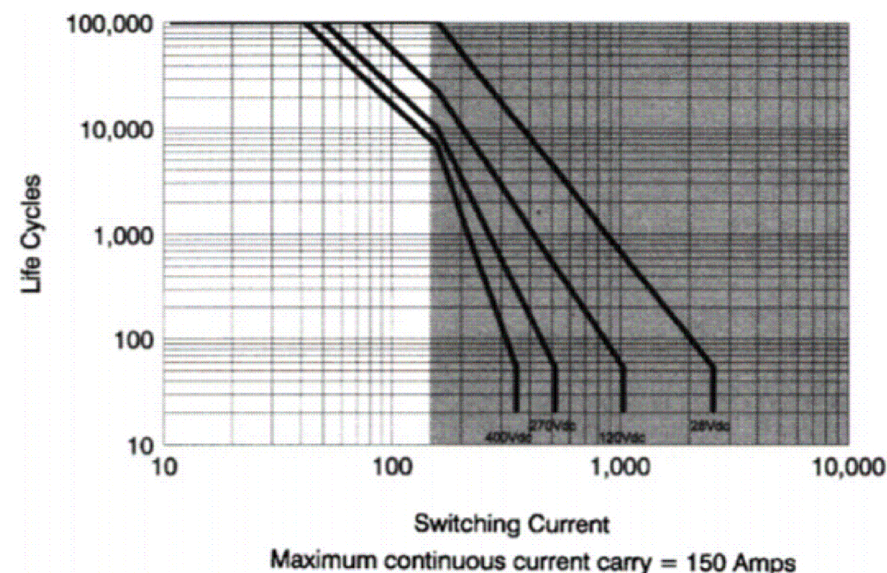
**Mounting:** \_\_\_\_\_  
7 = Panel Mount

### Coil Data

	AP150X	AP150P
Voltage, Nominal*	28 Vdc	28 Vdc
Pickup (Close), Max.	23 Vdc	20 Vdc
Dropout (Open), Max.	1.0 Vdc	20 Vdc
Coil Resistance @ 25°C (10%)	52 Ω	13 Ω**
Coil Duty, Recommended	Continuous	100 ms to Toggle
Coil Energy, Max.	0.10 J	0.10 J
Coil Clamping	2.5 x nom.	500W/ms TVS

\*12, 120 Vdc, or other special coil voltages available upon request.  
\*\*2 coils are used, both are high common. Switch coil power from low side.  
High side coil power switch is a special order.

### Contact Ratings\*



\*Based on data extrapolated from qualification at 270 Vdc with resistive load. Since each application is unique, user is encouraged to verify rating in actual application.

### Product Specifications

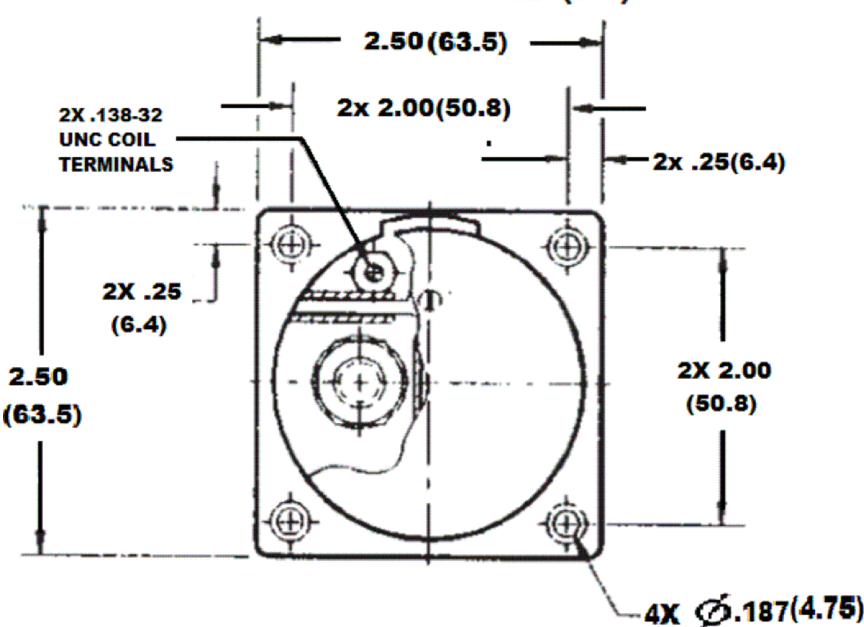
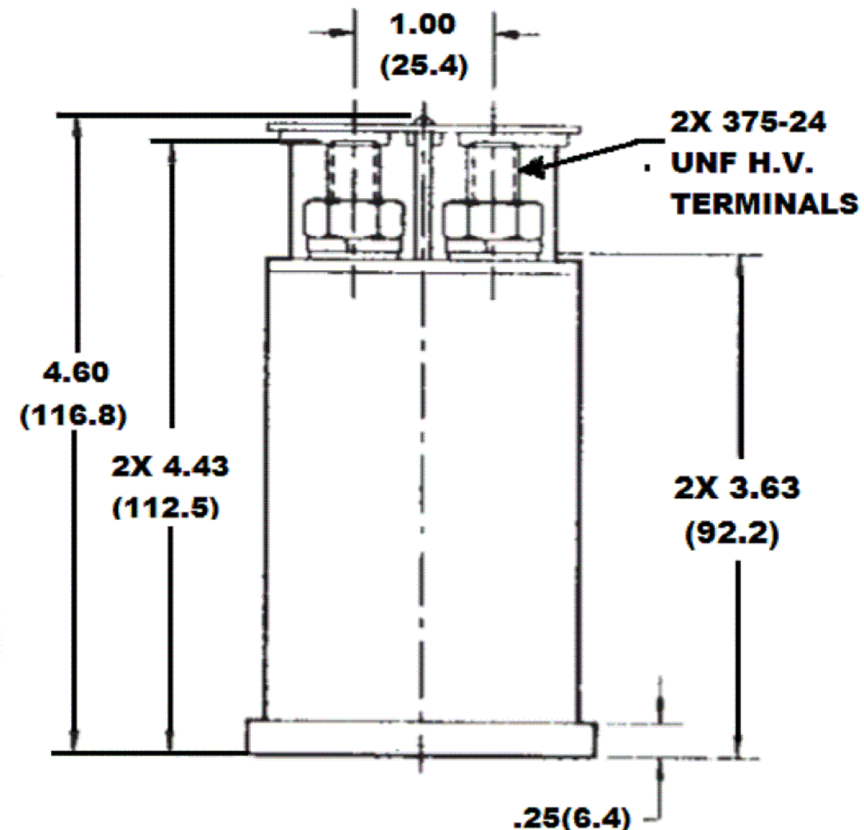
**Contact Arrangement** — AP150X — SPST-NO  
**Contact Form** — AP150X — X  
**Rated Resistive Load @ 270 Vdc** — 150 A  
**Continuous Current Carry, Max.** — 150 A  
**Overload Make & Break @ 270 Vdc** — 400/500 A\*  
**Contact Resistance, Max.** — 1 mohm  
**Dielectric at Sea Level** — Power Terminals to Terminal — 2,000 Vrms  
 Power Terminals to All Other Points — 1,800 Vrms  
**Shock, 11ms, 1/2 Sine (Peak)** — 35 g  
**Vibration, Sinusoidal (55-2000 Hz, Peak)** — 20 g  
**Operating Ambient Temperature Range** — -55°C to +85°C  
**Load Life @ 270 Vdc, Min.** — 10,000 cycles  
**Operate Time (28 Vdc, 25°C)** — AP150X — 35 ms  
**Close (Includes Bounce), Typ.** — AP150X — 35 ms  
**Bounce (After Close Only), Max.** — AP150X — 8 ms  
**Open (Includes Arcing), Max.** — AP150X — 10 ms  
**Insulation Resistance @ 500 Vdc, Min.** — Initial/End of Life — 100 mohm/50 mohm  
**Weight, Nominal** — 1.66 lb (0.753 kg)  
**Note:**  
 \*500 = at beginning of life which is 0 to 5,000 cycles, 400 = at end of life which is 5,000 to 10,000 cycles.



### CZONKA Contactor

#### Product Facts

- 150 A carry, 500 A overload @ 270 Vdc
- Suitable for circuit protection, control, and battery switching
- Versatile power, voltage, and current operating range
- Bi-directional switching
- Electrically held and latching coil versions
- Fast operate and release time
- Low power consumption
- Vacuum-sealed contacts; can operate in harsh environments
- Space-rated version built in accordance with customers SCD
- Meets many requirements of MIL-PRF-32085



ALL DIMENSIONS ARE IN INCHES(MM)

THIS DRAWING IS A CONTROLLED DOCUMENT.		DWN	VM	26AUG2019	TE Connectivity		
		CHK	RV	26AUG2019			
		APVD	MP	26AUG2019	NAME		
		PRODUCT SPEC			AP150X SERIES		
		APPLICATION SPEC			-		
		SIZE	CAGE CODE	DRAWING NO	RESTRICTED TO		
		A3	-	AP150X-SERIES	-		
MATERIAL		FINISH			WEIGHT	-	
		CUSTOMER DRAWING			SCALE	NTS	SHEET 1 OF 1
					REV	A	