

P	LTR	DESCRIPTION	DATE	DWN	APVD
	A	INITIAL DRAWING	26AUG2019	VM	MP

AP5A, AP5B, & AP5C Relays — 5 Amps

Product Specifications

Contact Arrangement —

AP5A — SPST-NO
 AP5B — SPST-NC
 AP5C — SPDT

Contact Form —

AP5A — A
 AP5B — B
 AP5C — C

Rated Resistive Load @ 270 Vdc —
 5 A*

Continuous Current Carry, Max. —
 AP5A, AP5B, AP5C — 25 A**

Overload @ 270 Vdc —

AP5A, AP5B — 20 A
 AP5C — 10 A

Contact Resistance, Max. —

10 mohm

Dielectric at Sea Level —

Coil to Case — 500 Vrms
 All Other Points — 2,000 Vrms

Shock, 11ms, 1/2 Sine (Peak) —

AP5A, AP5B, AP5C — 50 g

Vibration, Sinusoidal (55-2000 Hz, Peak) —

10 g

Operating Ambient Temperature Range —

-55°C to +85°C

Load Life @ 270 Vdc, Min. —

AP5A, AP5B — 50,000 cycles
 AP5C — 10,000 cycles

Ordering Information

Sample Part Number ▶

AP5 C 3 4 5

Series: —

A = SPST-NO B = SPST-NC C = SPDT

Contact Form: —

P = SPST Latching

Coil Voltage: —

2 = 12Vdc, Bus Wire/PC Board
 3 = 28 Vdc, Bus Wire/PC Board
 5 = 120 Vdc, Bus Wire/PC Board
 7 = 12 Vdc, Turret Terminals
 8 = 28 Vdc, Turret Terminals
 9 = 120 Vdc, Turret Terminals
 A = 12 Vdc, Stud Terminals, Panel Mount
 B = 28 Vdc, Stud Terminals, Panel Mount
 C = 120 Vdc, Stud Terminals, Panel Mount

Power Terminals: —

3 = Solder Connection/PC Board 4 = Flying Leads
 5 = Stud Terminals, Panel Mount

Mounting: —

2 = Flanged Mount 4 = Through Chassis Mount
 5 = PCB Mount 7 = Panel Mount

Coil Data

Volts, Nominal	12	28	28 ²	120
Pickup, Max. 1	10 Vdc	20 Vdc	16 Vdc	85 Vdc
Dropout, Min.	.3-6 Vdc	.7-12 Vdc	N/A	5-55 Vdc
Coil Resistance (±10%)	53 Ω	290 Ω	80 Ω	4700 Ω

Coil resistance rated at 25°C

Notes:

- 1. Value for AP5C is 24 for 28 Vdc coil & 100 for 120 Vdc coil
- 2. Latching

Product Facts

- AP5 make and break 5 A; AP10 make and break 10 A @ 270 Vdc
- 20 A overload rating
- Latching actuator available for low power consumption
- Ideal for applications from 28 to 1000 Vdc
- Small size and weight
- Wide variety of mounting styles (see pages 54 and 55)
- No heat sinks required

- 2000 V isolation across open contacts
- Vacuum-sealed contacts; can operate in harsh environments

- Qualified to SAE ARD 50031
- Space-rated version built in accordance with customers SCD

Notes:

*The load terminals should always be connected as follows: Common Contact +; Other Contact -.
 **10 amps for PC board connection.

AP10A, AP10B, AP10P & AP11A Relays — 10 Amps

Product Specifications

Contact Arrangement —

AP10A — SPST-NO
 AP10B — SPST-NC
 AP10P — SPST Latching

Contact Form —

AP10A — A
 AP10B — B
 AP10P — P

Rated Resistive Load @ 270 Vdc —
 10 A*

Continuous Current Carry, Max. —
 AP10A, AP10B — 25 A**
 AP10P — 30 A**

Overload @ 270 Vdc — 20 A

Contact Resistance, Max. —
 10 mohm

Dielectric at Sea Level —

Coil to Case — 500 Vrms
 All Other Points — 2,000 Vrms

Shock, 11ms, 1/2 Sine (Peak) —
 50 g

Vibration, Sinusoidal

(55-2000 Hz, Peak) — 10 g

Operating Ambient Temperature Range —

-55°C to +85°C

Load Life @ 270 Vdc, Min. —

AP10A — 10,000 cycles
 AP10B, AP10P — 7,000 cycles

Operate Time,

Excluding Bounce, Max. —

AP10A, AP10B — 7 ms
 AP10P — 4 ms

Release Time, Max. —

AP10A, AP10B — 10 ms
 AP10P — N/A

Bounce Time, Max. —

AP10A, AP10B — 3 ms
 AP10P — 2 ms

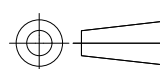
Insulation Resistance @ 500 Vdc, Min. —

Initial — 100 mohm
 End of Life — 50 mohm

Weight, Nominal —
 28 gram (1 oz.)

THIS DRAWING IS A CONTROLLED DOCUMENT.

DIMENSIONS:
 INCHES



TOLERANCES UNLESS OTHERWISE SPECIFIED:

0 PLC	± -
1 PLC	± -
2 PLC	± -
3 PLC	± -
4 PLC	± -
ANGLES	± -

MATERIAL

FINISH

DWN VM 26AUG2019

CHK RV 26AUG2019

APVD MP 26AUG2019



TE Connectivity Ltd.

NAME

AP5/AP10 RELAY

PRODUCT SPEC

APPLICATION SPEC

SIZE CAGE CODE DRAWING NO RESTRICTED TO

A3

-

Ⓒ-AP5/10-SERIES

-

CUSTOMER DRAWING

SCALE NTS

SHEET 1 OF 3

REV A

THIS DRAWING IS UNPUBLISHED.

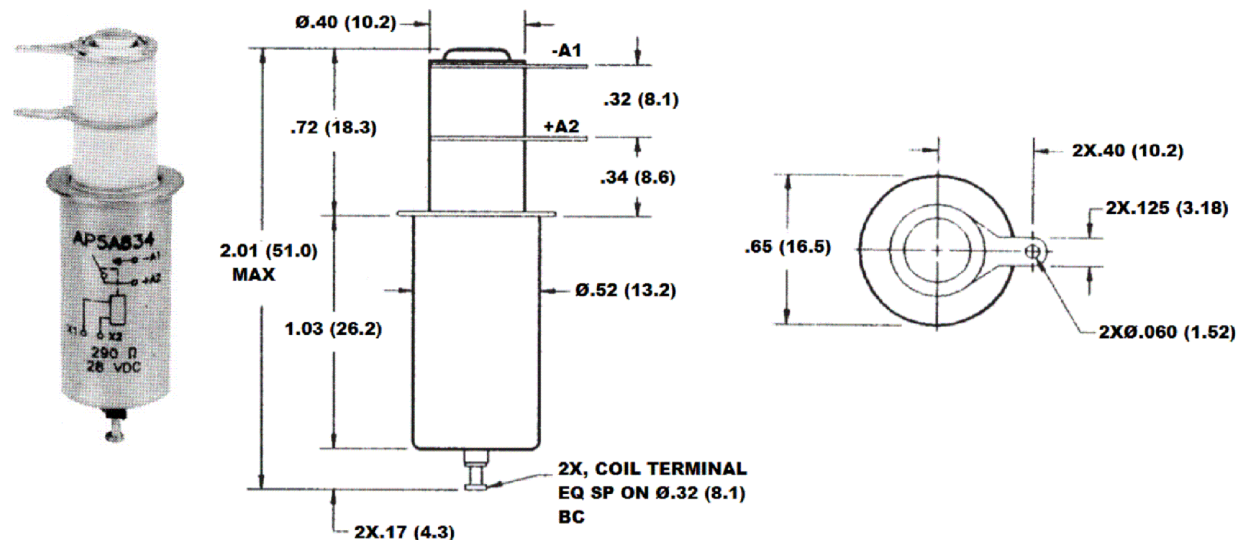
RELEASED FOR PUBLICATION

REVISIONS

© COPYRIGHT - TE Connectivity Ltd.

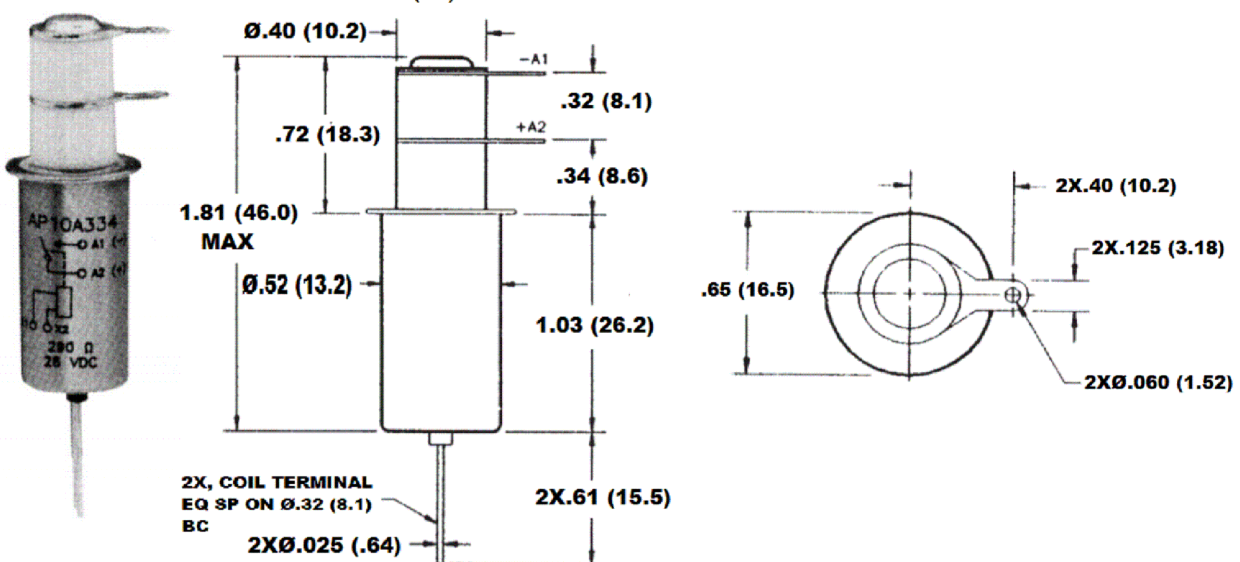
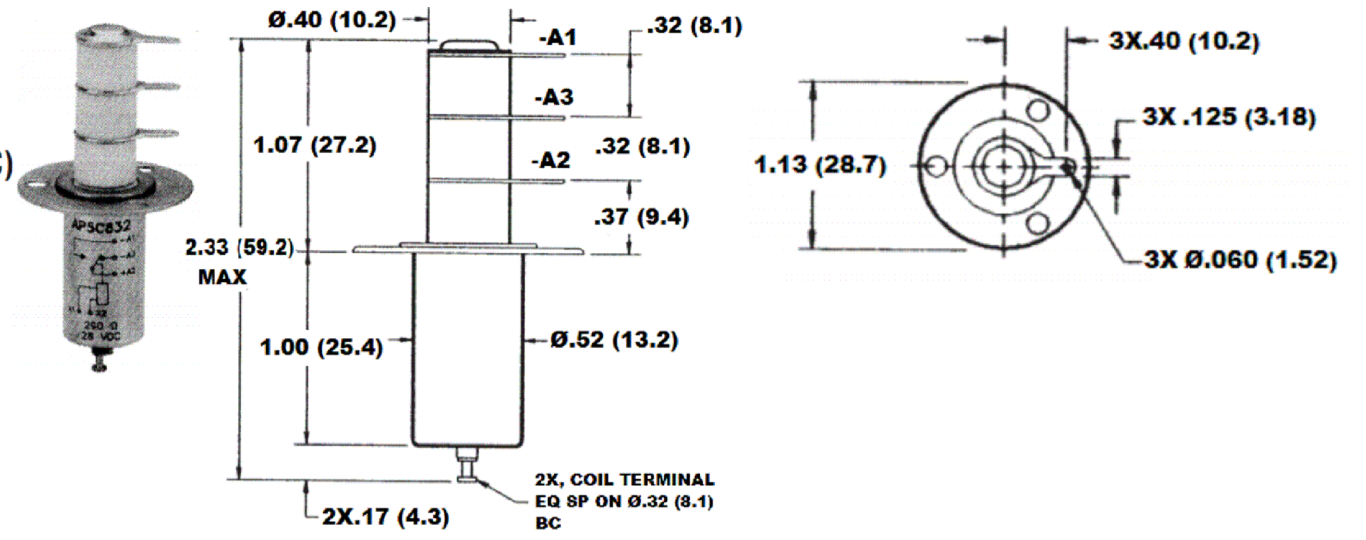
ALL RIGHTS RESERVED.

P	LTR	DESCRIPTION	DATE	DWN	APVD
-	-	SEE SHEET 1	-	-	-



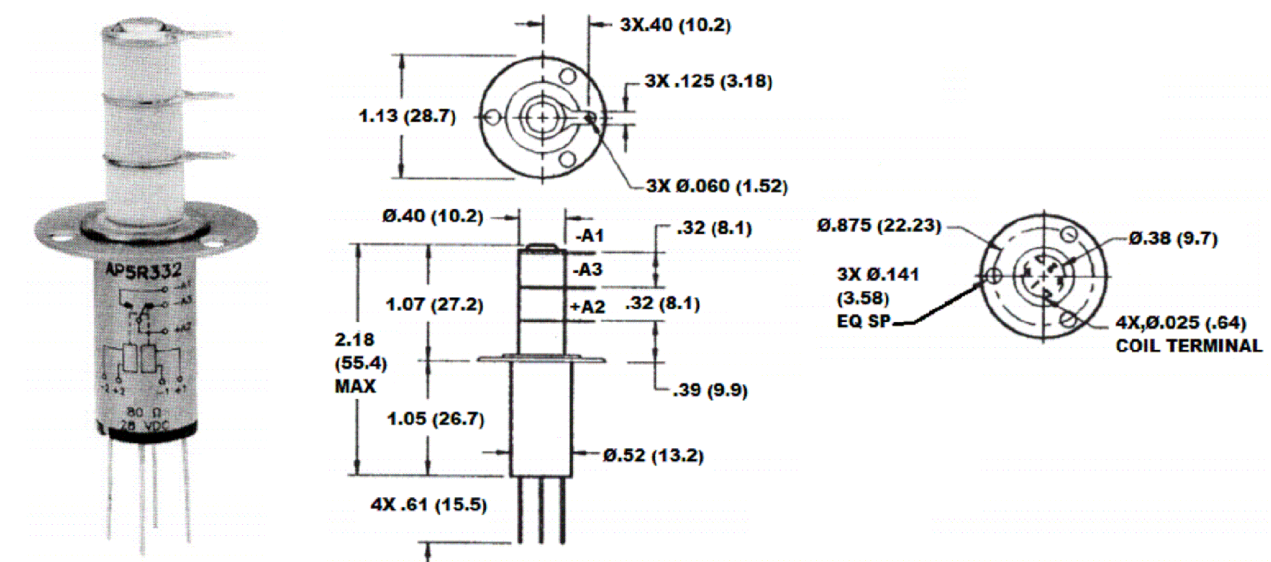
Flanged style mounting with solder type power terminals and turret coil terminals (Available in forms A, B, & C)

AP5C832 Shown as Part Number Sample



Flanged style mounting with solder type power terminals and bus wire coil leads (Available in forms A, B, C, P)

AP5R332 Shown as Part Number Sample



ALL DIMENSIONS ARE IN INCHES(MM)

THIS DRAWING IS A CONTROLLED DOCUMENT.		DWN VM 26AUG2019	TE Connectivity Ltd.							
		CHK RV 26AUG2019								
DIMENSIONS: INCHES 		TOLERANCES UNLESS OTHERWISE SPECIFIED: 0 PLC ± - 1 PLC ± - 2 PLC ± - 3 PLC ± - 4 PLC ± - ANGLES ± -		APVD MP 26AUG2019 NAME AP5/AP10 RELAY						
MATERIAL -		FINISH -		PRODUCT SPEC -	APPLICATION SPEC -	RESTRICTED TO -				
				WEIGHT -	SIZE A3	CAGE CODE -	DRAWING NO. ©-AP5/10-SERIES	SCALE NTS	SHEET 2 OF 3	REV A
CUSTOMER DRAWING										

THIS DRAWING IS UNPUBLISHED.

RELEASED FOR PUBLICATION

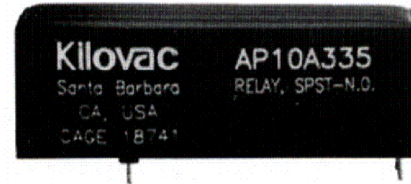
REVISIONS

© COPYRIGHT - TE Connectivity Ltd.

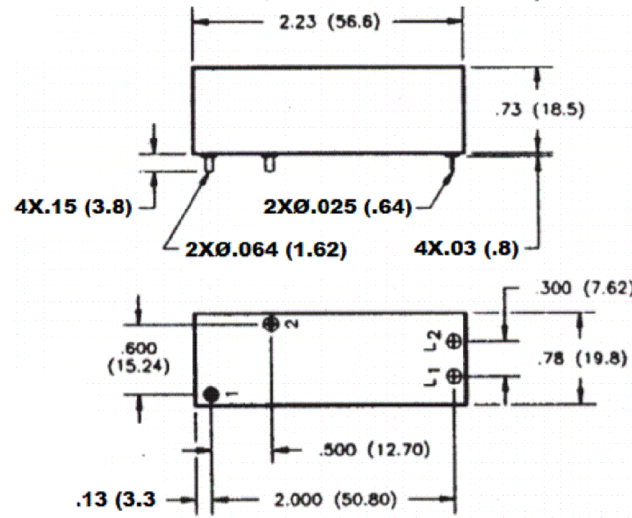
ALL RIGHTS RESERVED.

P	LTR	DESCRIPTION	DATE	DWN	APVD
-	-	SEE SHEET 1	-	-	-

PC board style mounting with PC board terminals (Available in forms A, B, & C)



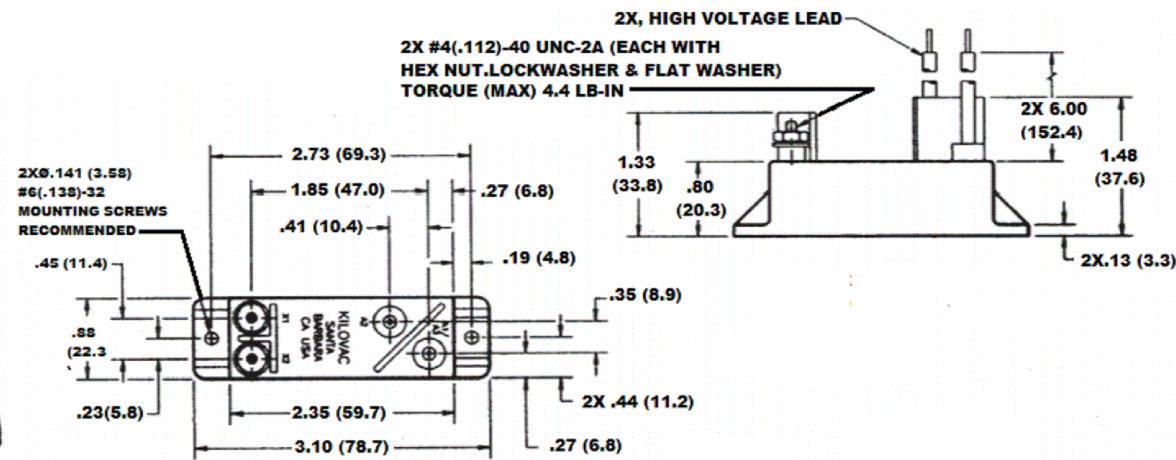
AP10A335 Shown as Part Number Sample



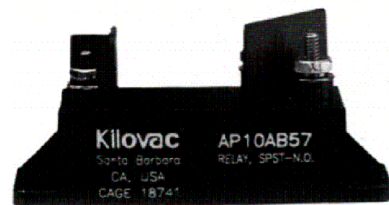
Panel style mounting with flying power leads and stud terminals (Available in forms A & B)



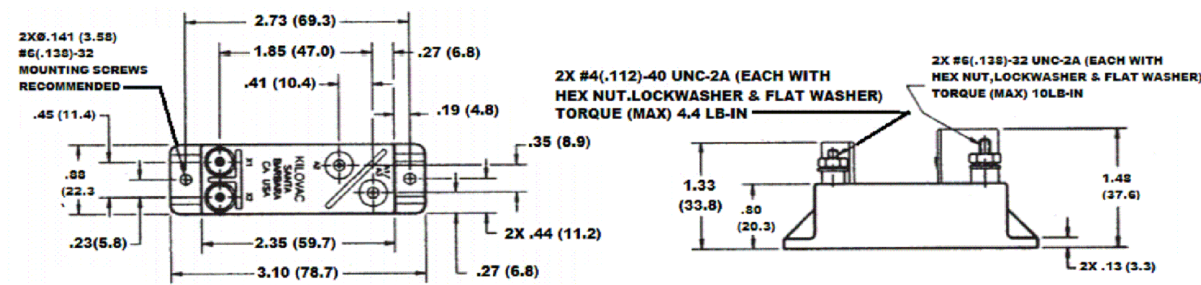
AP10AB47 Shown as Part Number Sample



Panel style mounting with stud terminals (Available in forms A & B)



AP10AB57 Shown as Part Number Sample



ALL DIMENSIONS ARE IN INCHES(MM)

THIS DRAWING IS A CONTROLLED DOCUMENT.		DWN VM 26AUG2019	TE Connectivity Ltd.			
DIMENSIONS: INCHES		CHK RV 26AUG2019				
TOLERANCES UNLESS OTHERWISE SPECIFIED:		APVD MP 26AUG2019	NAME			
		PRODUCT SPEC	AP5/AP10 RELAY			
0 PLC ± - 1 PLC ± - 2 PLC ± - 3 PLC ± - 4 PLC ± - ANGLES ± -		APPLICATION SPEC	-			
MATERIAL		WEIGHT	SIZE A3	CAGE CODE -	DRAWING NO. C-AP5/10-SERIES	RESTRICTED TO -
-		CUSTOMER DRAWING		SCALE NTS	SHEET 3 OF 3	REV A