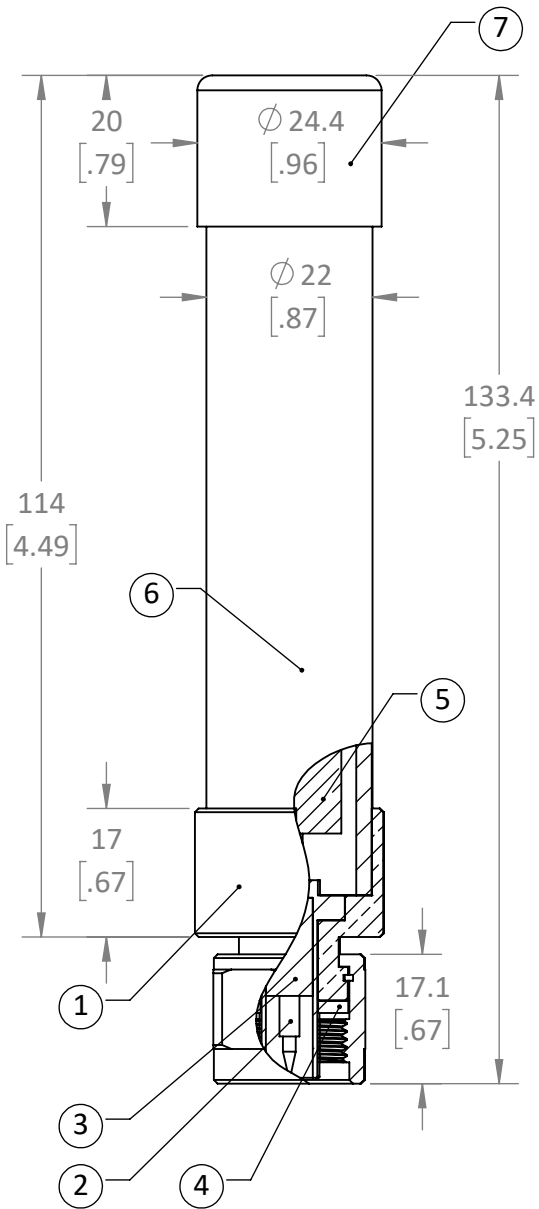


REVISIONS			
REV	DESCRIPTION	DATE	APPV
A	PRODUCTION RELEASE	JHAGER 8/10/2021	



NOTES: (UNLESS OTHERWISE SPECIFIED)

1. ALL DIMENSIONS ARE IN MILLIMETERS [IN].
2. DIMENSIONS APPLY AFTER FINISHING.
3. MANUFACTURE TO BE COMPLIANT WITH EU RoHS DIRECTIVE, USE MATERIALS THAT DO NOT CONTAIN REACH SUBSTANCES OF VERY HIGH CONCERN >1000ppm, AND USE DRC CONFLICT-FREE SOURCED MATERIALS.
4. MARK PACKAGING [BAG/BOX] WITH THE FOLLOWING INFORMATION:
 1. LOT#
 2. LINX PART NUMBER
 3. QUANTITY IN BAG/BOX
 4. COUNTRY OF ORIGIN
5. FREQUENCY: 617-960/1452-1496/1710-2690/3300-5000
6. IMPEDANCE: 50Ω
7. VSWR: 3.5dBm
8. OMNI-DIRECTIONAL
9. OPERATING TEMP: -30°C - +70°C
10. STORAGE TEMP: -40°C - +85°C
11. IP67 SEALED HOUSING
12. INTERCONNECT N-TYPE IAW MIL-STD-348B
13. COVER TUBE IS INSERTED INTO CAP AND BASE USING HIGH STRENGTH UV RATED EPOXY AS ADHESIVE AND SEAL.
14. ANTENNA COVER TO BE CONCENTRIC WITH BASE AFTER INSTALLATION.

ITEM	DESCRIPTION
1	CON, BODY, N, PLUG, Ni/BRASS
2	PIN, N-TYPE, GOLD/BeCu
3	DIELECT, PTFE
4	GASKE, SIL, N-TYPE, RED
5	ELEMENT, RPC, BLAC
6	COVE, FRP, WHITE
7	CAP, ASA, COVER, WHITE

WARNING: THIS DRAWING CONTAINS PROPRIETARY INFORMATION THAT IS THE SOLE PROPERTY OF LINX TECHNOLOGIES, AND SHALL BE TREATED AS SUCH. NO DISCLOSURE OR REPRODUCTION OF THIS DOCUMENT IS PERMITTED, IN WHOLE OR IN PART, WITHOUT THE EXPRESS WRITTEN PERMISSION OF LINX TECHNOLOGIES OR ITS DESIGNATED AGENTS.



159 ORT LANE
MERLIN, OR 97532

TITLE:
**ANTENNA, MULTI-BAND
IP-67 RATED OUTDOOR**

MATERIAL: FRP, ASA, PCB BRASS, BeCu	INTERPRET DIMENSIONS AND TOLERANCES PER ASME Y14.5.		PROJECTION:
	.X ±2.0 .XX ±1.00 .XXX ±.500	ANGLES: ±1° SURFACE:	
FINISH: NATURAL GOLD	DRAWN: JHAGER	DT: 8/10/21	
	ENGR: DASARATHAN	DT: 10-JUL-08	

SIZE	DWG. NO.	REV
A	C-ANT-W63-IPW2-NP	A
SCALE: 1:1	DO NOT SCALE DRAWING	SHEET 1 OF 1