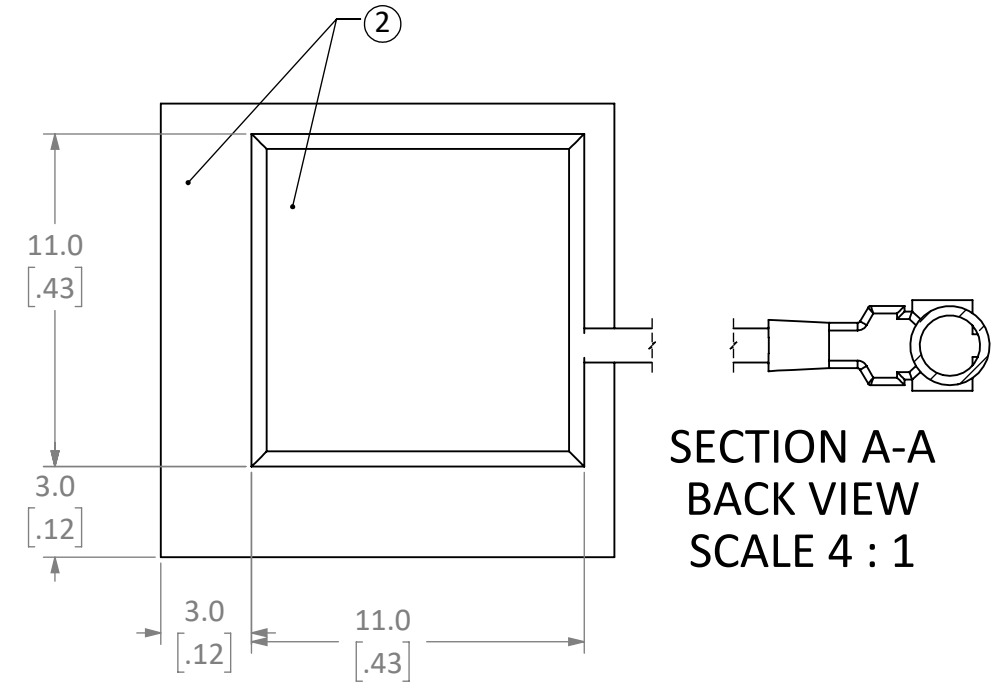
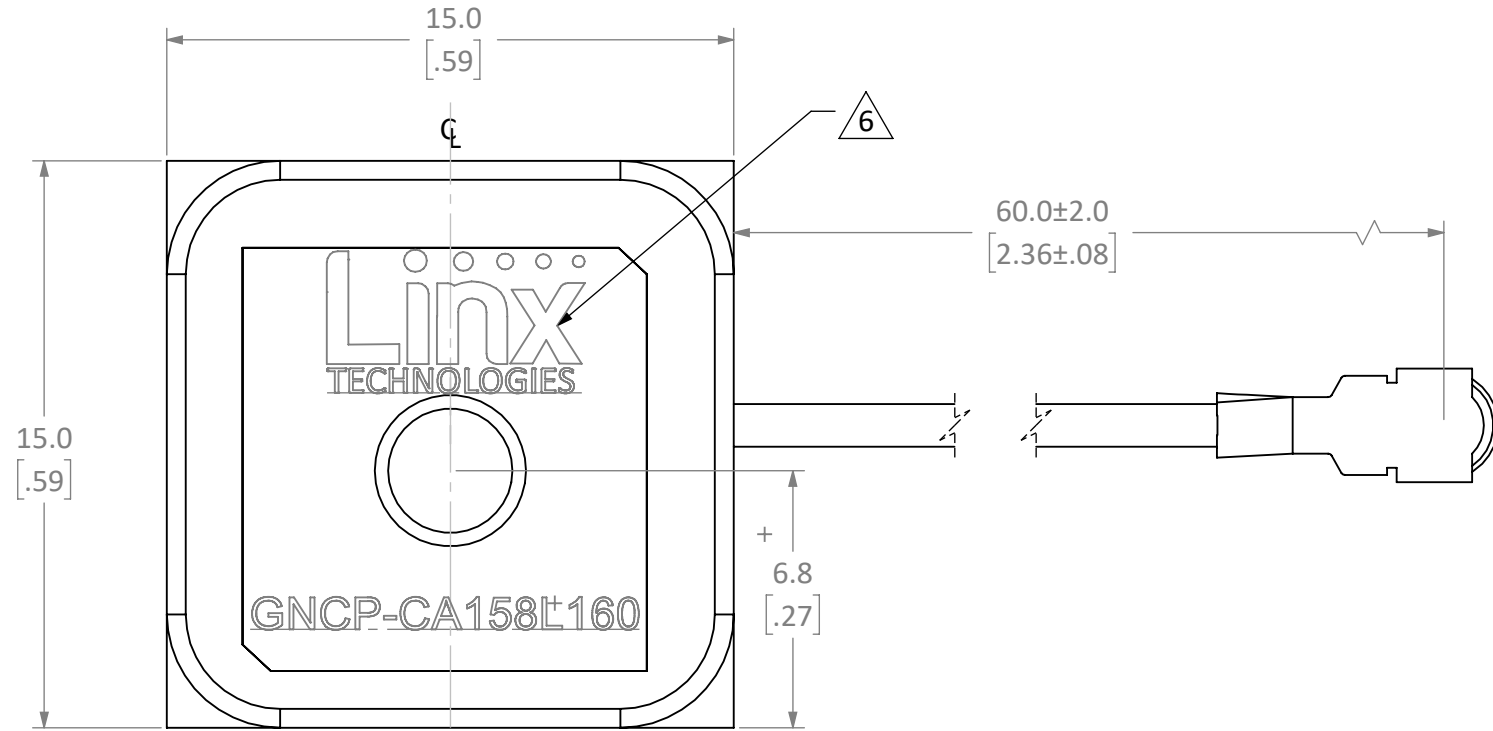


BILL OF MATERIALS			
ITEM	DESCRIPTION	QTY.	Unit
1	ANTENNA GNSS CP RHCP	1	EA
2	ACTIVE LNA BOARD AND AMPLIFIER	1	EA
3	CABLE 1.13mm COAX GREY	71	mm
4	CONNECTOR U.FL BRAS/GOLD	1	EA

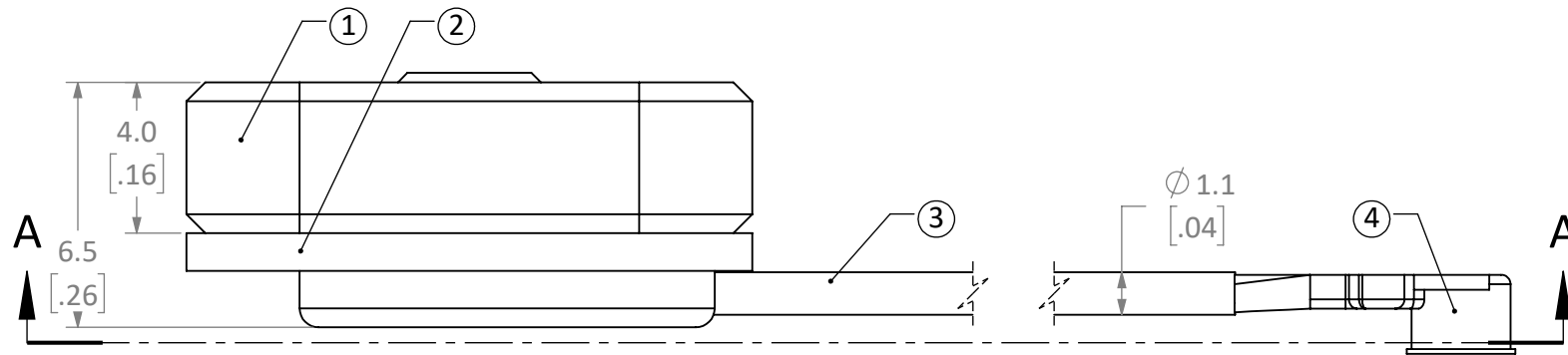


SECTION A-A
BACK VIEW
SCALE 4 : 1

NOTES: (UNLESS OTHERWISE SPECIFIED)

- ALL DIMENSIONS ARE IN MILLIMETERS [IN].
- DIMENSIONS APPLY AFTER FINISHING.
- MANUFACTURE TO BE COMPLIANT WITH EU RoHS DIRECTIVE, USE MATERIALS THAT DO NOT CONTAIN REACH SUBSTANCES OF VERY HIGH CONCERN >1000ppm, AND USE DRC CONFLICT-FREE SOURCED MATERIALS.
- ENVIRONMENTAL:
 - OPERATING TEMP: -40°C - 85°C (STORAGE UP TO 90°C)
 - RH: 40%-90%
- ELECTRICAL THROUGHPUT:
 - FRQ: 1.56GHz - 1.60GHz
 - GAIN @ 90°: 9.5dBi - 12.5dBi (RANGE)
 - IMPEDANCE: 50Ω
 - VNA NOISE: 2.6dB TYP (+25°C)
 - VSWR: 2.0 MAX

6. SILKSCREENS MODULAR AS SHOWN USING BLACK EPOXY INK. GEOMETRY CONTROLLED BY .ai FILE AT LATEST REVISION.



WARNING: THIS DRAWING CONTAINS PROPRIETARY INFORMATION THAT IS THE SOLE PROPERTY OF LINX TECHNOLOGIES, AND SHALL BE TREATED AS SUCH. NO DISCLOSURE OR REPRODUCTION OF THIS DOCUMENT IS PERMITTED, IN WHOLE OR IN PART, WITHOUT THE EXPRESS WRITTEN PERMISSION OF LINX TECHNOLOGIES OR ITS DESIGNATED AGENTS.

STE 159 ORT LANE
MERLIN, OR 97532

MATERIAL: CERAMIC	INTERPRET DIMENSIONS AND TOLERANCES PER ASME Y14.5.		PROJECTION:
WEIGHT:	.X ± 2.0 .XX ± 1.00 .XXX ± .500	ANGLES: ± 1° SURFACE:	
FINISH:	DRAWN: JHAGER	DT: 10/29/20	
	ENGR: DASARATHAN	DT: 10-JUL-08	

TITLE: ANT GNSS L1 15x15 LNA UFL 60MM		
SIZE B	DWG. NO. C-ANT-GNCP-CA158L160	REV A
SCALE: 5:1	DO NOT SCALE DRAWING	SHEET 1 OF 1